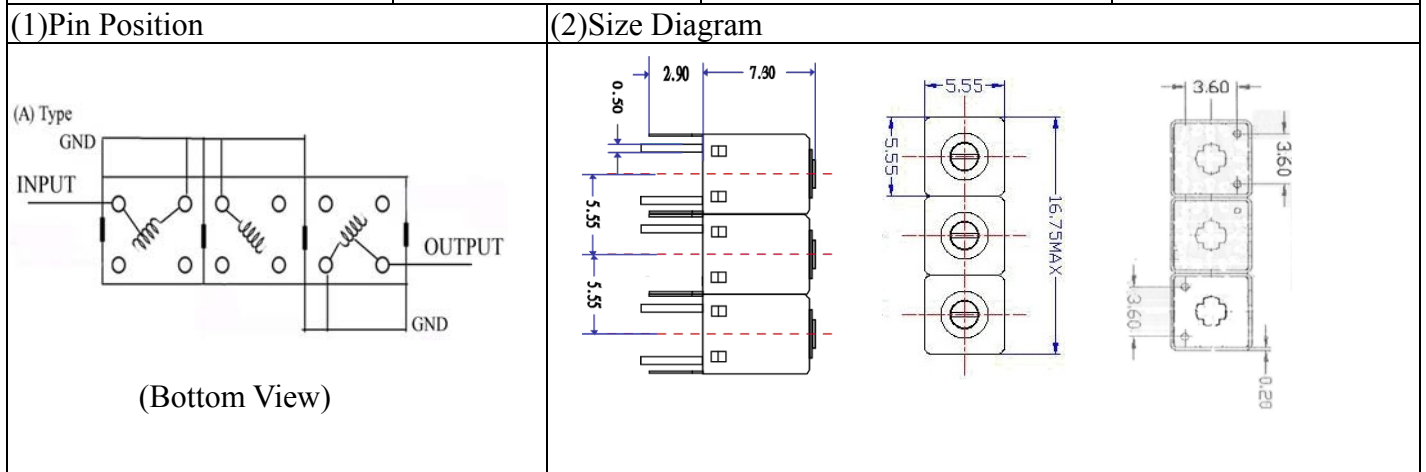


# VHF UHF Helical Filter Specification Sheet

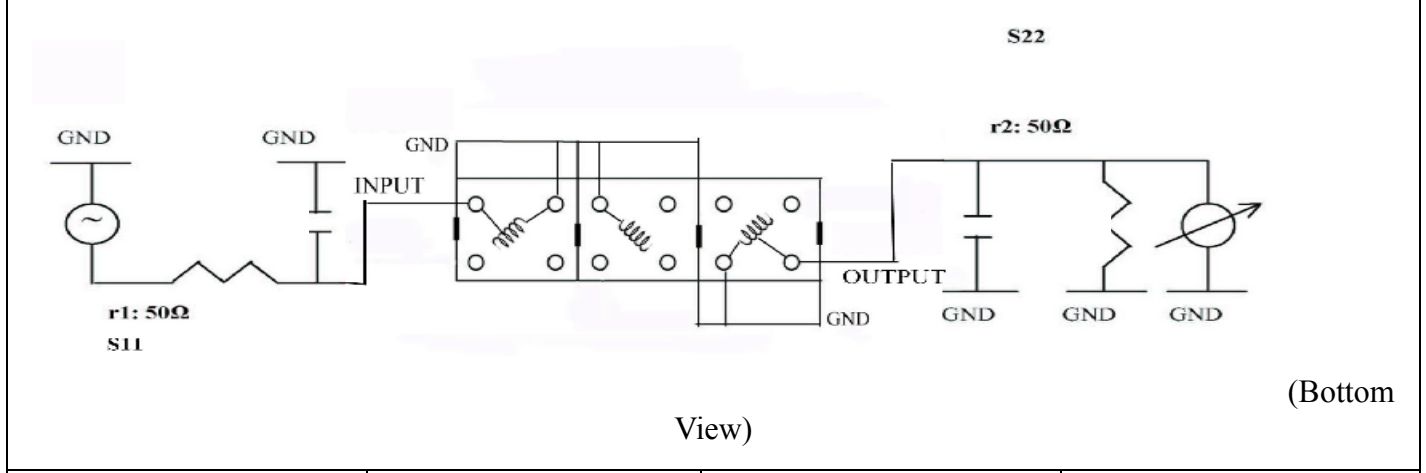
Customer Name		Temwell's Part No.	TTR3626A-325M
Approval No. /dated	201505067CD	Temwell's print name	3626A 325M
Work Instruction No.	201505067CD	Date	Jun.09.2015



(3) Electric Characteristic					
Item		Specify		Performance	
Center Freq.(Fo) +/- 0.5 %		325 MHz		325 MHz	
Insertion Loss		Typ. 7.0 dB		4.12 dB	
-3 dB Bandwidth		Typ. 9 MHz		12.7 MHz	
Sensitivity (Attenuation)	Fo - 50 MHz	Typ. 47 dBc		50 dBc	
	Fo + 50 MHz	Typ. 44 dBc		47 dBc	
	Fo - ( )MHz	Typ. dBc		dBc	
	Fo + ( )MHz	Typ. dBc		dBc	
Return Loss		Min. 12 dB		30.9 dB	
Ripple		< 1 dB		dB	
Impedance		In / Out : 50 Ω		In / Out : 50 Ω	
(4) Torque for Tuning Screw		> 60gf • cm			

(5) Temperature Condition:	
Operating Temperature	0°C ~ +60°C
Storage Temperature	-20°C ~ +70°C
(6) Input Power	> 0.5 Watt

(7) Measuring Circuit: ※Easy to match Impedance S11/S22 50Ω/ by parallel with about(--)/ (--).



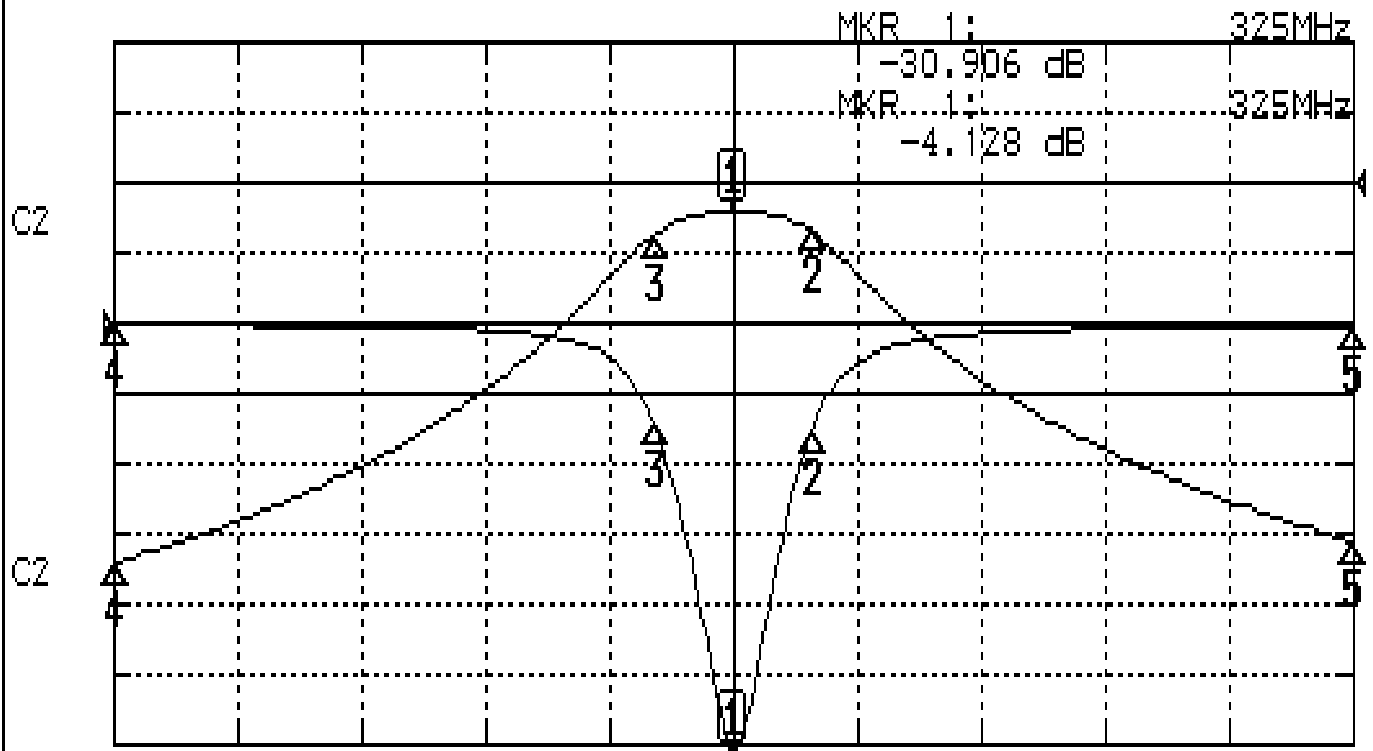
Approval	Supervisor	Designer	Aperture size
C.Y.Chang	C.K.Chang	C.H.Yeh	5R3S(3.8*3.65)(4.68) 5HW00LB3

TEMWELL CORPORATION

# Performance-TTR3626A-325M

## 201505067CD

CH1 S11 LOG MAG REF 0.000 dB 5.000 dB/  
CH2 S21 LOG MAG REF 0.000 dB 10.000 dB/



CENTER 325MHz

[ 10.00 dBm ]

SPAN 100MHz

### CH1 MARKER LIST

Marker	Frequency (MHz)	Magnitude (dB)
1:	325.000MHz	-30.935 dB
2:	331.416MHz	-7.540 dB
3:	318.666MHz	-7.227 dB
4:	275.000MHz	-0.112 dB
5:	375.000MHz	-0.224 dB

### CH2 MARKER LIST

Marker	Frequency (MHz)	Magnitude (dB)
1:	325.000MHz	-4.127 dB
2:	331.416MHz	-7.151 dB
3:	318.666MHz	-7.196 dB
4:	275.000MHz	-4.160 dB
5:	375.000MHz	-11.250 dB