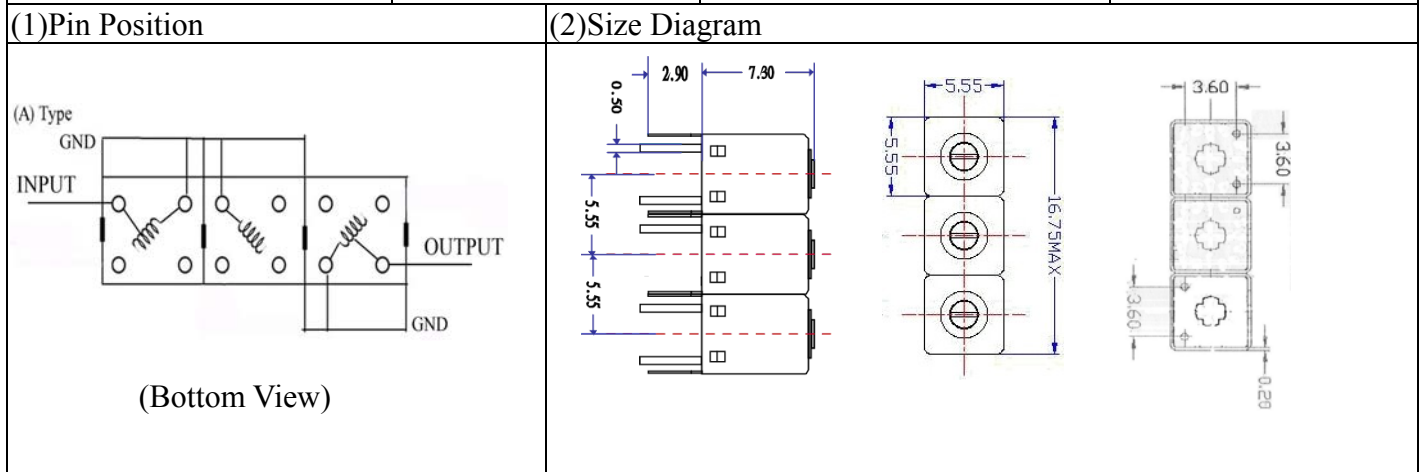


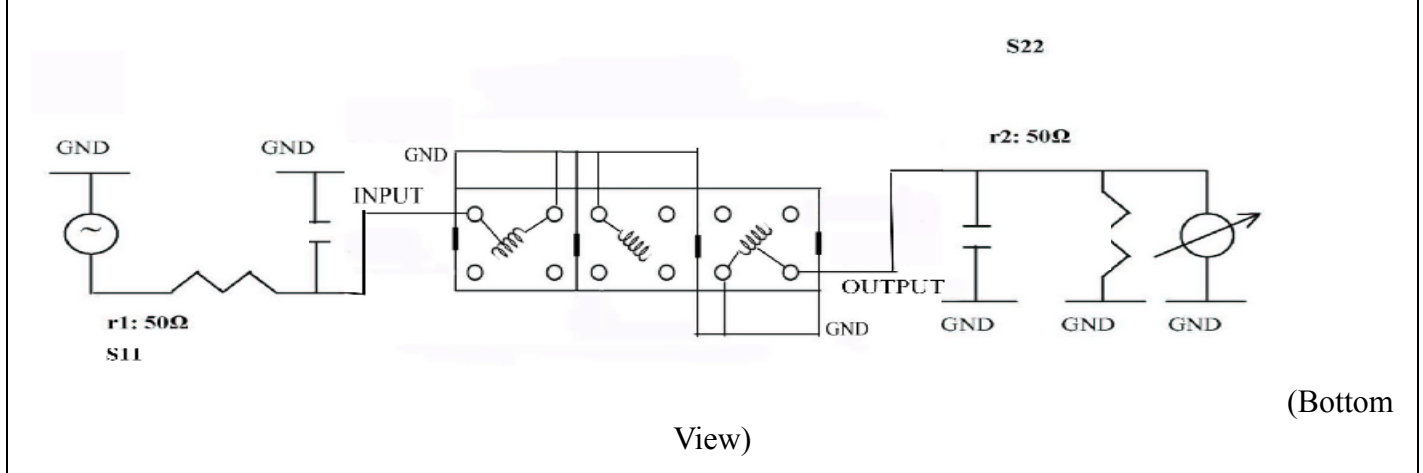
# VHF UHF Helical Filter Specification Sheet

Customer Name		Temwell's Part No.	TTR3628A-360M
Approval No. /dated	201505068CD	Temwell's print name	3628A 360M
Work Instruction No.	201505068CD	Date	Jun.10.2015



(3) Electric Characteristic			
Item	Specify	Performance	
Center Freq.(Fo) +/- 0.5 %	360 MHz	360	MHz
Insertion Loss	Typ. 4.0 dB	2.81	dB
-3 dB Bandwidth	Typ. 18 MHz	20.4	MHz
Sensitivity (Attenuation)	Fo - 50 MHz	Typ. 37	dBc
	Fo + 50 MHz	Typ. 31	dBc
	Fo - ( )MHz	Typ.	dBc
	Fo + ( )MHz	Typ.	dBc
Return Loss	Min. 12 dB	30.4	dB
Ripple	< 1 dB		dB
Impedance	In / Out : 50 Ω	In / Out : 50 Ω	
(4) Torque for Tuning Screw	> 60gf • cm		
(5) Temperature Condition:			
Operating Temperature	0°C ~ +60°C		
Storage Temperature	-20°C ~ +70°C		
(6) Input Power	> 0.5 Watt		

(7) Measuring Circuit: ※Easy to match Impedance S11/S22 50Ω/ by parallel with about(--)/ (--).

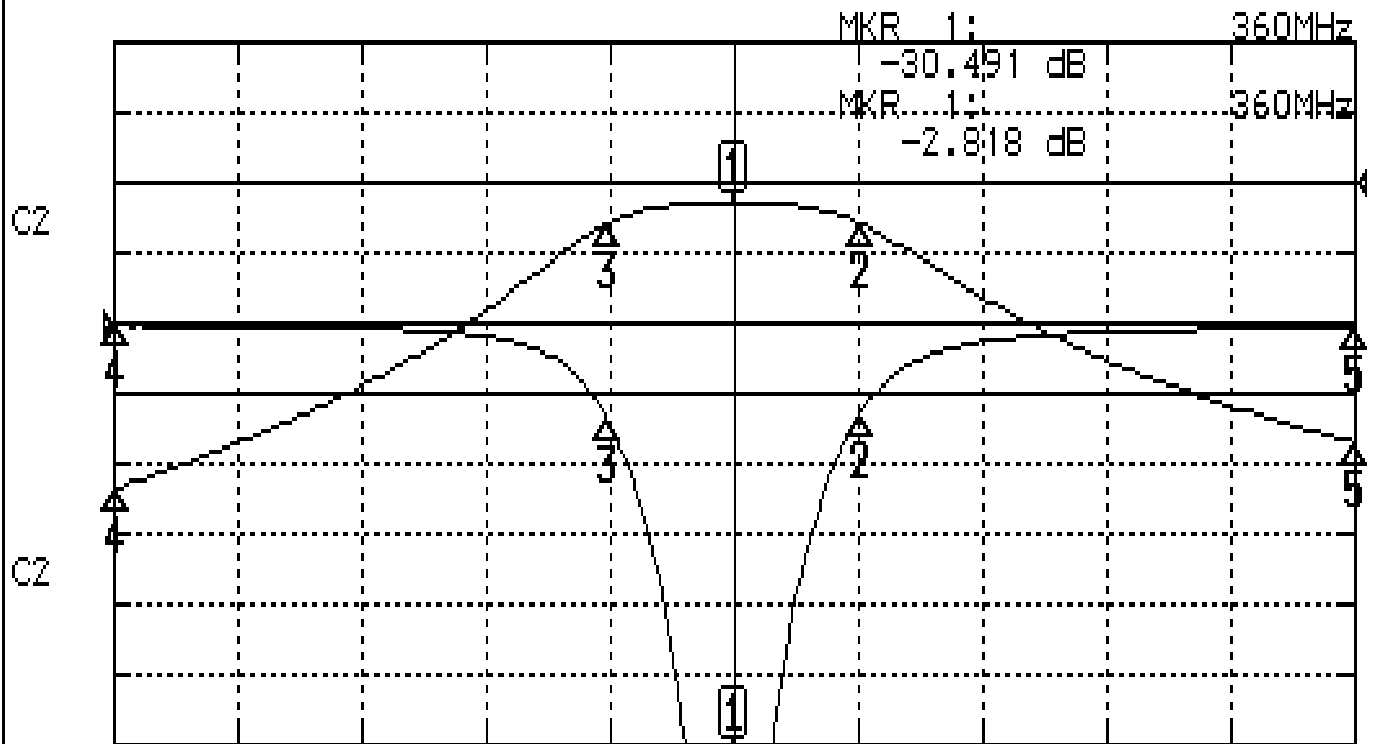


Approval	Supervisor	Designer	Aperture size
C.Y.Chang	C.K.Chang	C.H.Yeh	5R3S(3.8*4.65)(5.47) 5HW00LB3
TEMWELL CORPORATION			

# Performance-TTR3628A-360M

## 201505068CD

CH1 S11 LOG MAG REF 0.000 dB 5.000 dB/  
CH2 S21 LOG MAG REF 0.000 dB 10.000 dB/



CENTER 360MHz

[ 10.00 dBm ]

SPAN 100MHz

### CH1 MARKER LIST

Marker	Frequency (MHz)	Magnitude (dB)
1:	360.000	-30.456
2:	370.250	-6.372
3:	349.833	-6.769
4:	310.000	-0.143
5:	410.000	-0.302

### CH2 MARKER LIST

Marker	Frequency (MHz)	Magnitude (dB)
1:	360.000	-2.818
2:	370.250	-0.066
3:	349.833	-0.067
4:	310.000	-4.046
5:	410.000	-36.936