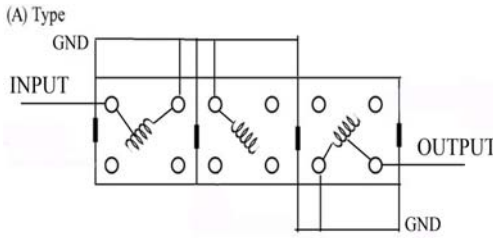
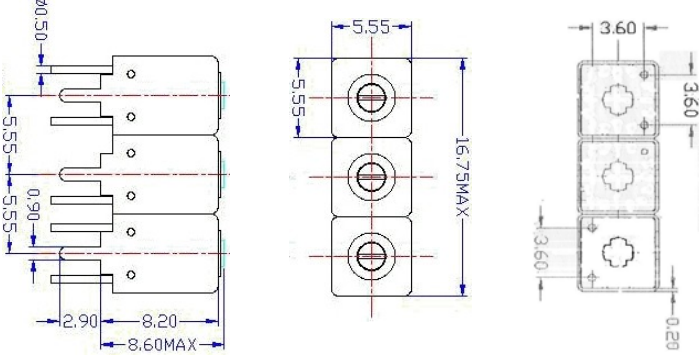


VHF UHF Helical Filter Specification Sheet

Customer Name		Temwell's Part No.	TTR3629A-360M
Approval No. /dated	20204044DC	Acceptable Specify Fo. Range	350~400MHz
Work Instruction No.	20204044DC	Date	May 16,2002

(1)Pin Position	(2)Size Diagram
 <p>(A) Type GND INPUT OUTPUT GND</p> <p>(Bottom View)</p>	

(3)Electric Character

Item	Specify	Performance	
Center Freq.(Fo) +/- 0.5 %	360 MHz	360 MHz	
Tunable Range:	360±8 MHz	360±8 MHz	
Insertion Loss	Typ. 7.0 dB	5.9 dB	
-3 dB Bandwidth	Typ. 10 MHz	14 MHz	
Sensitivity (Attenuation)	Fo - 50 MHz	Typ. 44 dBc	47 dBc
	Fo + 50 MHz	Typ. 42 dBc	45 dBc
	Fo - ()MHz	Typ. dBc	dBc
	Fo +()MHz	Typ. dBc	dBc
Return Loss	Min. 12 dB	23 dB	
Ripple	< 1 dB	dB	
Impedance	In / Out : 50 Ω	In / Out : 50 Ω	

(4)Torque for Tuning Screw

> 60gf • cm

(5)Temperature Condition:

Operating Temperature: -30°C ~ +70°C

Storage Temperature: -30°C ~ +80°C

(6)Input Power

> 1Watt

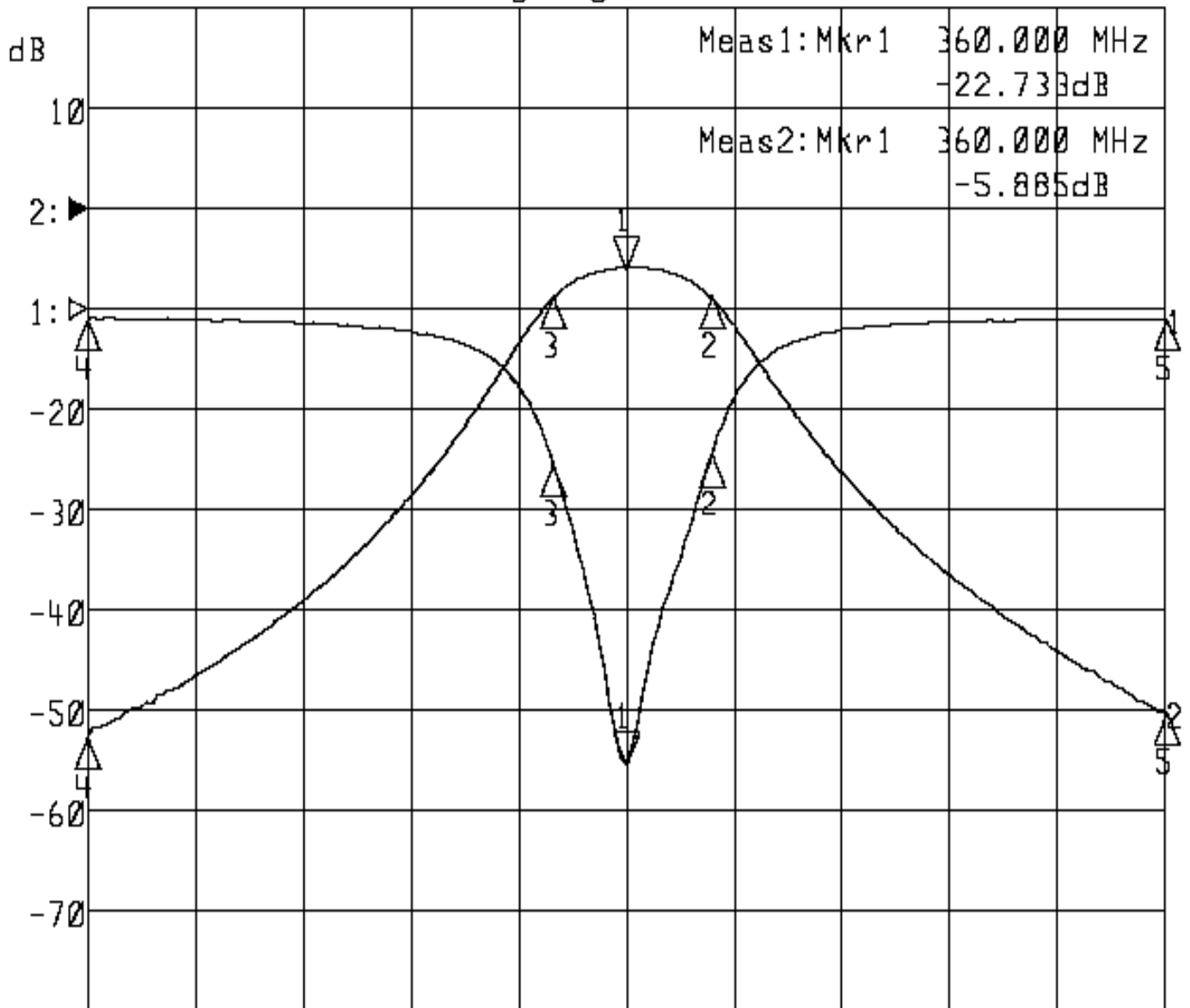
Approval	Supervisor	Designer	Aperture size
C.Y.Chang	C.S.Chang	C.S.Chang	5R3S(3.8*4.2)

TEMWELL CORPORATION

Performance-TTR3629A-360M

20204044DC

▶1:S11 Refl Port1 Log Mag 5.0 dB/ Ref 0.00 dB C
▶2:S21 Fwd Trans Log Mag 10.0 dB/ Ref 0.00 dB C



Center 360.000 MHz

Span 100.000 MHz

1:Mkr (MHz)	dB	2:Mkr (MHz)	dB
1> 360.0000	-22.733	1> 360.0000	-5.885
2: 367.9000	-7.287	2: 367.9000	-8.847
3: 353.3000	-7.757	3: 353.3000	-8.819
4: 310.0000	-0.529	4: 310.0000	-52.631
5: 410.0000	-0.524	5: 410.0000	-50.312