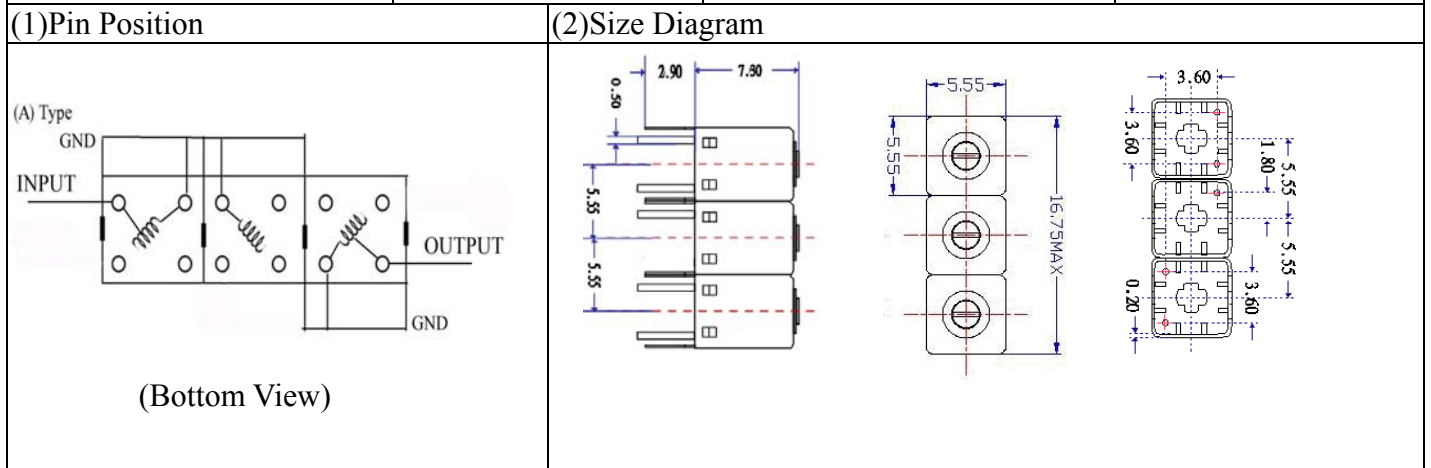


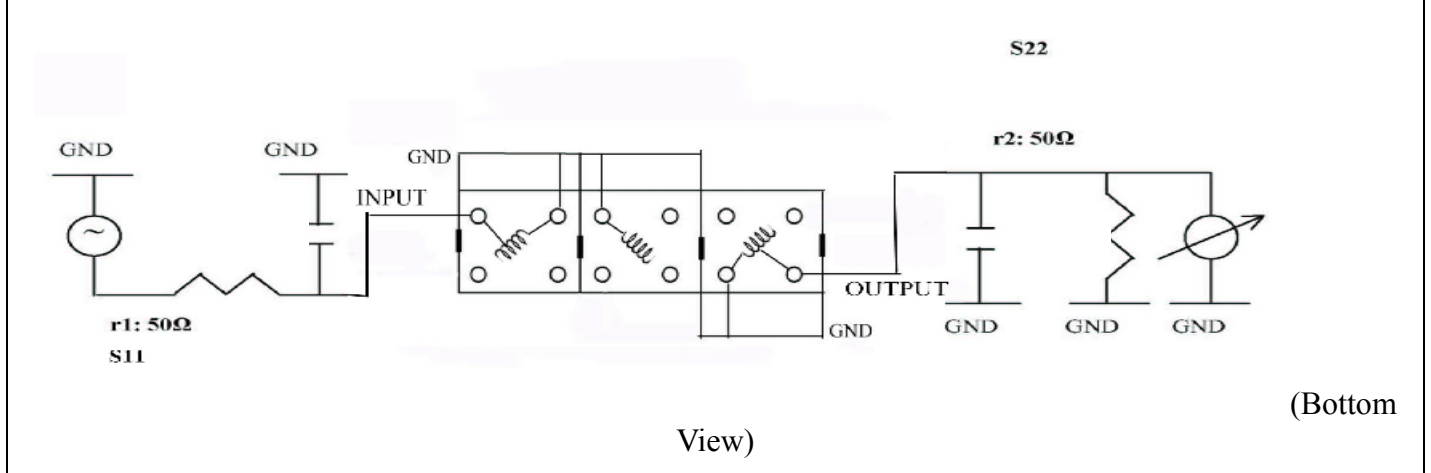
# VHF UHF Helical Filter Specification Sheet

Customer Name		Temwell's Part No.	TTR3632A-480M
Approval No. /dated	201505072CD	Temwell's print name	3632A 480M
Work Instruction No.	201505072CD	Date	Jul.06.2015



(3) Electric Characteristic					
Item		Specify		Performance	
Center Freq.(Fo) +/- 0.5 %		480 MHz		480 MHz	
Insertion Loss		Typ. 4.5 dB		3.55 dB	
-3 dB Bandwidth		Typ. 12 MHz		15.0 MHz	
Sensitivity (Attenuation)	Fo - 50 MHz	Typ. 43 dBc		46 dBc	
	Fo + 50 MHz	Typ. 43 dBc		46 dBc	
	Fo - ( )MHz	Typ. dBc		dBc	
	Fo + ( )MHz	Typ. dBc		dBc	
Return Loss		Min. 12 dB		41.7 dB	
Ripple		< 1 dB		dB	
Impedance		In / Out : 50 Ω		In / Out : 50 Ω	
(4) Torque for Tuning Screw		> 60gf • cm			
(5) Temperature Condition:					
Operating Temperature		0°C ~ +60°C			
Storage Temperature		-20°C ~ +70°C			
(6) Input Power		> 0.5 Watt			

(7) Measuring Circuit: ※Easy to match Impedance S11/S22 50Ω/ by parallel with about(--) / (--)



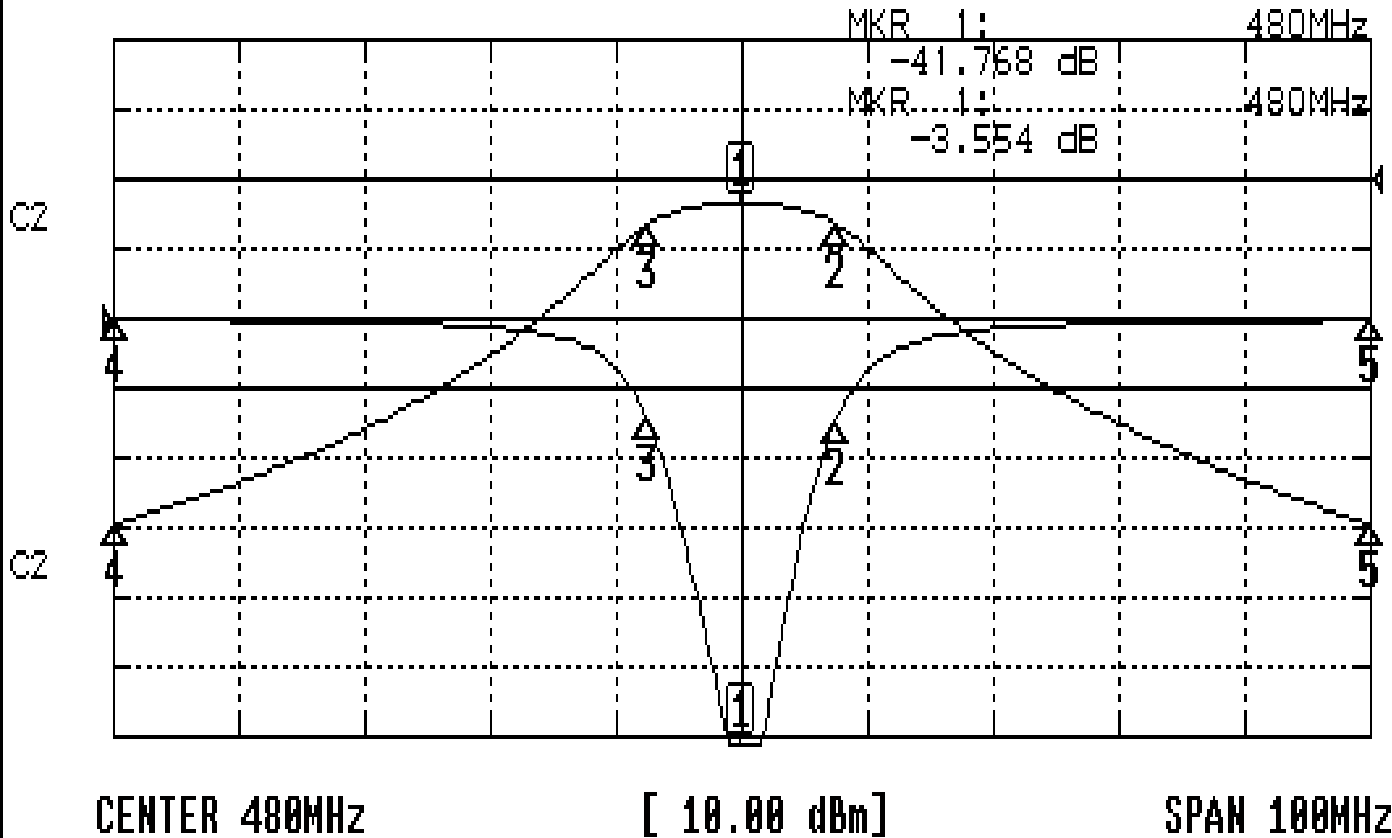
Approval C.Y.Chang	Supervisor C.K.Chang	Designer J.Yang	Aperture size 5R3S(3.8*3.65)(4.65) 5HW024RB3
-----------------------	-------------------------	--------------------	--

TEMWELL CORPORATION

# Performance-TTR3632A-480M

## 201505072CD

CH1 S11 LOG MAG REF 0.000 dB 5.000 dB/  
CH2 S21 LOG MAG REF 0.000 dB 10.000 dB/



### CH1 MARKER LIST

Marker	Frequency (MHz)	Magnitude (dB)
1:	480.000	-41.768
2:	487.583	-7.290
3:	472.500	-7.160
4:	430.000	-0.115
5:	530.000	-0.128

### CH2 MARKER LIST

Marker	Frequency (MHz)	Magnitude (dB)
1:	480.000	-3.554
2:	487.583	-6.554
3:	472.500	-6.567
4:	430.000	-49.580
5:	530.000	-49.577