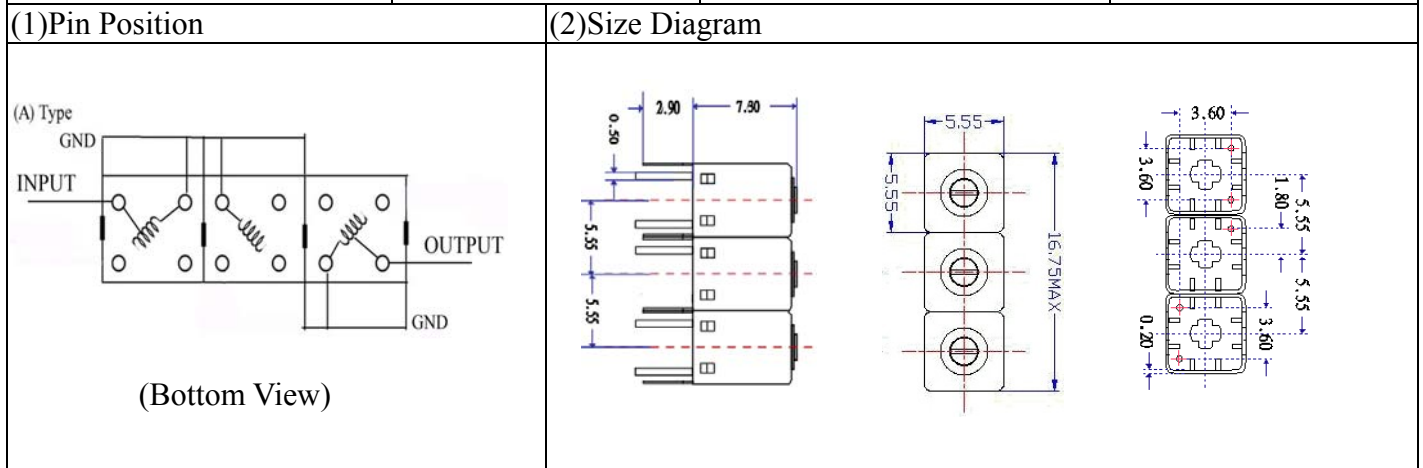


VHF UHF Helical Filter Specification Sheet

Customer Name		Temwell's Part No.	TTR3633A-420M
Approval No. /dated	201505073CD	Temwell's print name	3633A 420M
Work Instruction No.	201505073CD	Date	Jul.08.2015



(3) Electric Characteristic

Item	Specify	Performance
Center Freq.(Fo) +/- 0.5 %	420 MHz	420 MHz
Insertion Loss	Typ. 4.0 dB	2.48 dB
-3 dB Bandwidth	Typ. 16 MHz	20.1 MHz
Sensitivity (Attenuation)	Fo - 50 MHz	Typ. 39 dBc
	Fo + 50 MHz	Typ. 34 dBc
	Fo - ()MHz	Typ. dBc
	Fo + ()MHz	Typ. dBc
Return Loss	Min. 12 dB	36.8 dB
Ripple	< 1 dB	dB
Impedance	In / Out : 50 Ω	In / Out : 50 Ω

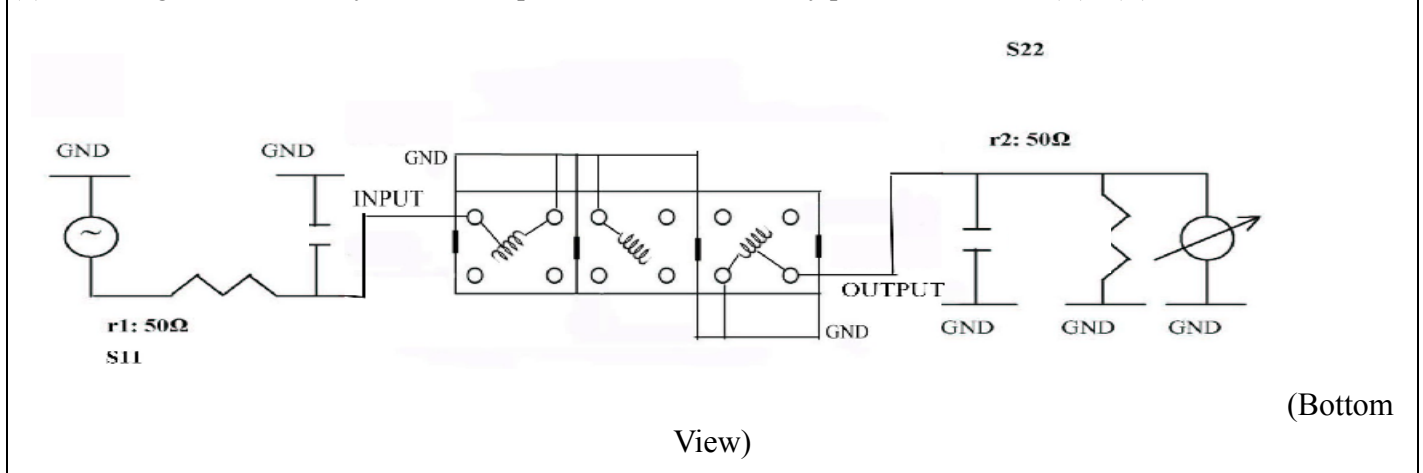
(4) Torque for Tuning Screw > 60gf • cm

(5) Temperature Condition:

Operating Temperature	0°C ~ +60°C
Storage Temperature	-20°C ~ +70°C

(6) Input Power > 0.5 Watt

(7) Measuring Circuit: ※Easy to match Impedance S11/S22 50Ω/ by parallel with about(--)/ (--).



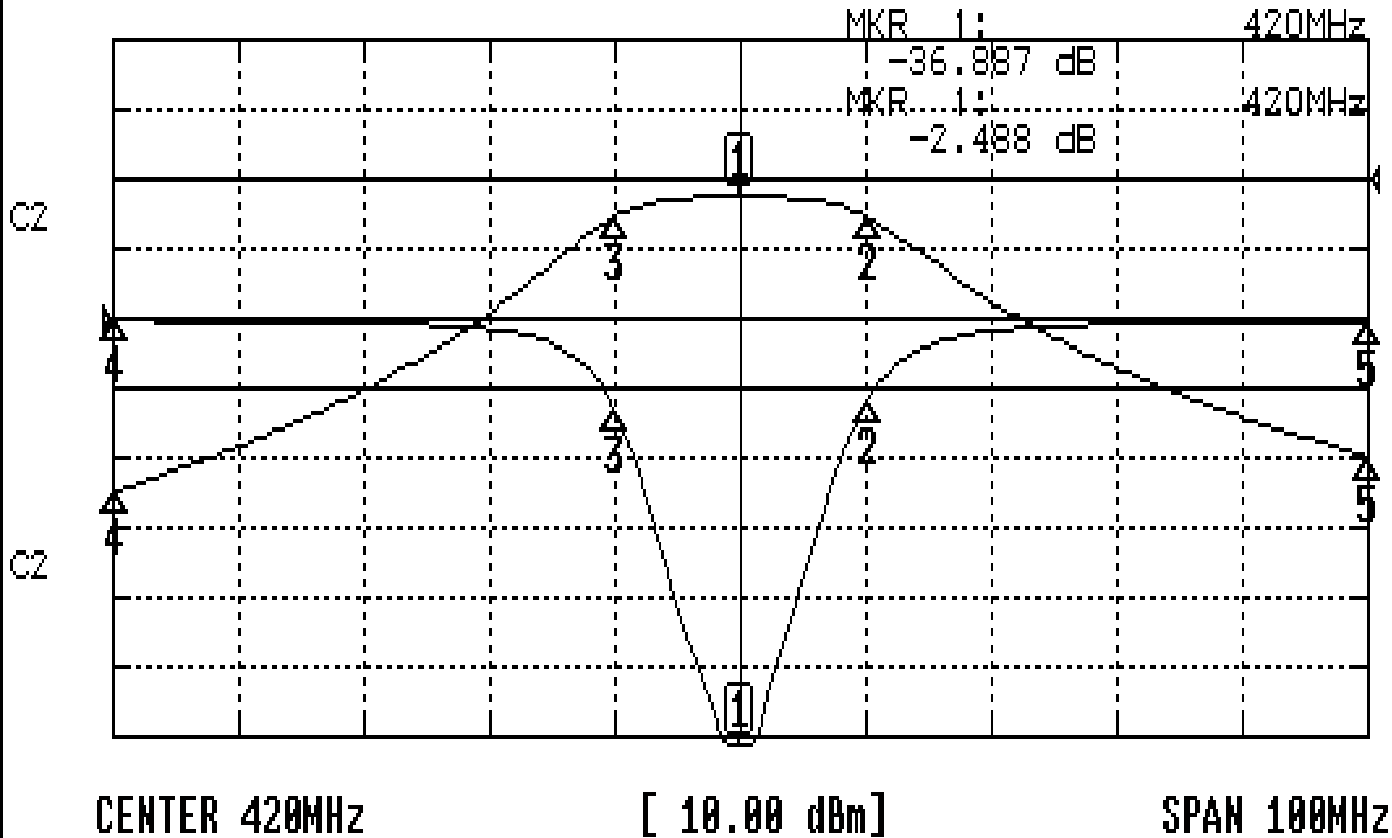
Approval C.Y.Chang	Supervisor C.K.Chang	Designer J.Yang	Aperture size 5R3S(3.8*4.2)(5.32) 5HW024RB3
-----------------------	-------------------------	--------------------	---

TEMWELL CORPORATION

Performance-TTR3633A-420M

201505073CD

CH1 S11 LOG MAG REF 0.000 dB 5.000 dB/
CH2 S21 LOG MAG REF 0.000 dB 10.000 dB/



CH1 MARKER LIST

Marker	Frequency (MHz)	Value (dB)
1:	420.000	-36.8839
2:	430.166	-5.8993
3:	410.000	-6.4033
4:	370.000	-0.131
5:	470.000	-0.173

CH2 MARKER LIST

Marker	Frequency (MHz)	Value (dB)
1:	420.000	-2.488
2:	430.166	-5.460
3:	410.000	-5.412
4:	370.000	-44.691
5:	470.000	-39.719