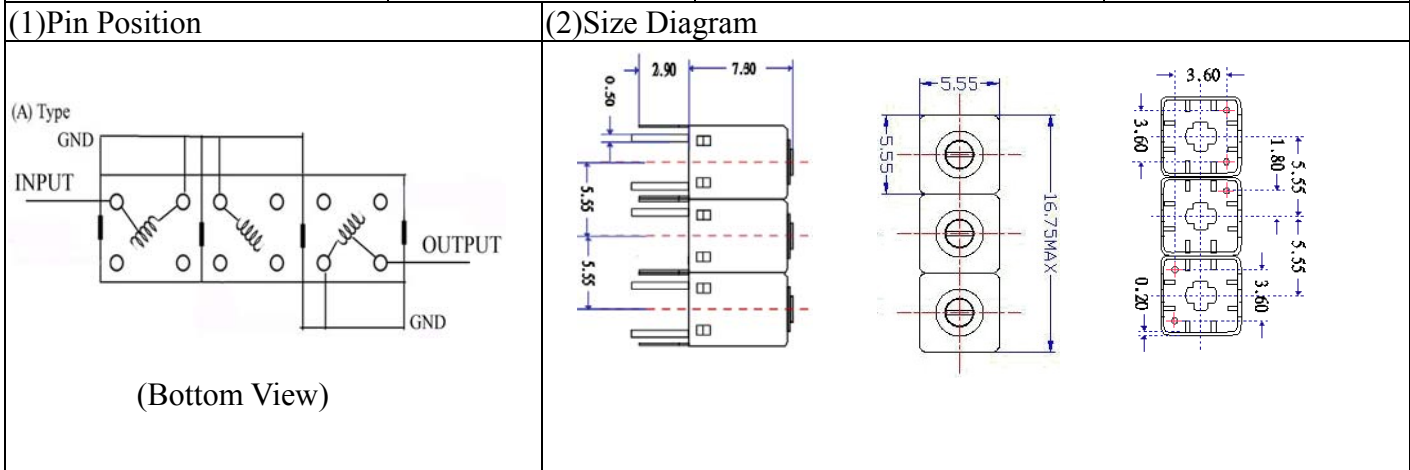


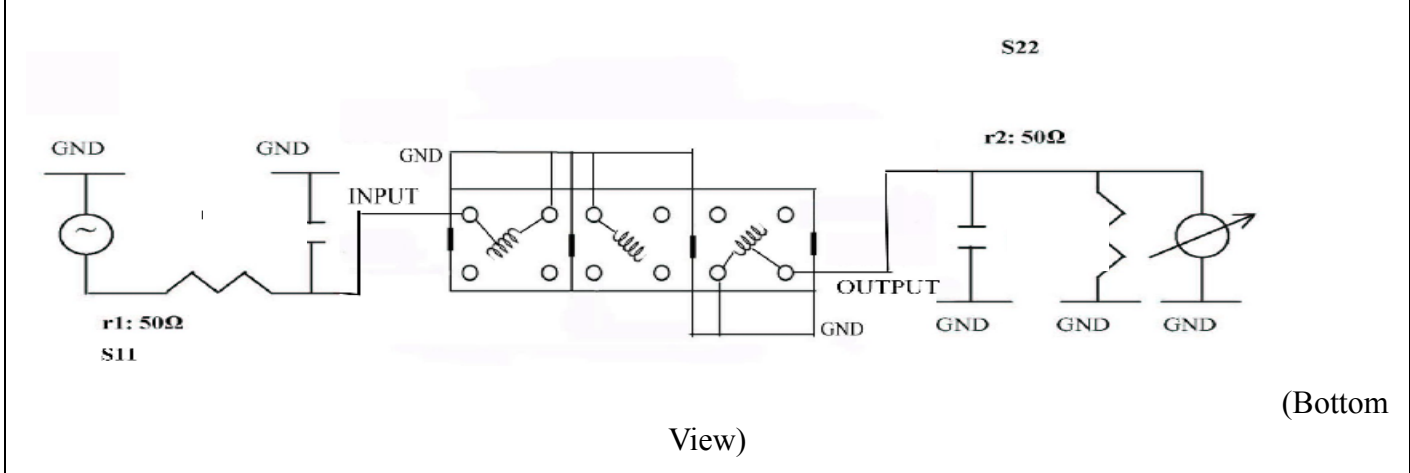
VHF UHF Helical Filter Specification Sheet

Customer Name		Temwell's Part No.	TTR3636A-400M
Approval No. /dated	201505076CD	Temwell's print name	3636A 400M
Work Instruction No.	201505076CD	Date	Jul.06.2015



(3) Electric Characteristic			
Item		Specify	Performance
Center Freq.(Fo) +/- 0.5 %		400 MHz	400 MHz
Insertion Loss		Typ. 3.5 dB	2.50 dB
-3 dB Bandwidth		Typ. 18 MHz	20.3 MHz
Sensitivity (Attenuation)	Fo - 50 MHz	Typ. 39 dBc	42 dBc
	Fo + 50 MHz	Typ. 35 dBc	38 dBc
	Fo - ()MHz	Typ. dBc	dBc
	Fo + ()MHz	Typ. dBc	dBc
Return Loss		Min. 12 dB	31.9 dB
Ripple		< 1 dB	dB
Impedance		In / Out : 50 Ω	In / Out : 50 Ω
(4) Torque for Tuning Screw		> 60gf · cm	
(5) Temperature Condition:			
Operating Temperature		0°C ~ +60°C	
Storage Temperature		-20°C ~ +70°C	
(6) Input Power		> 0.5 Watt	

(7) Measuring Circuit: ※Easy to match Impedance S11/S22 50Ω/ by parallel with about(--)/ (--).



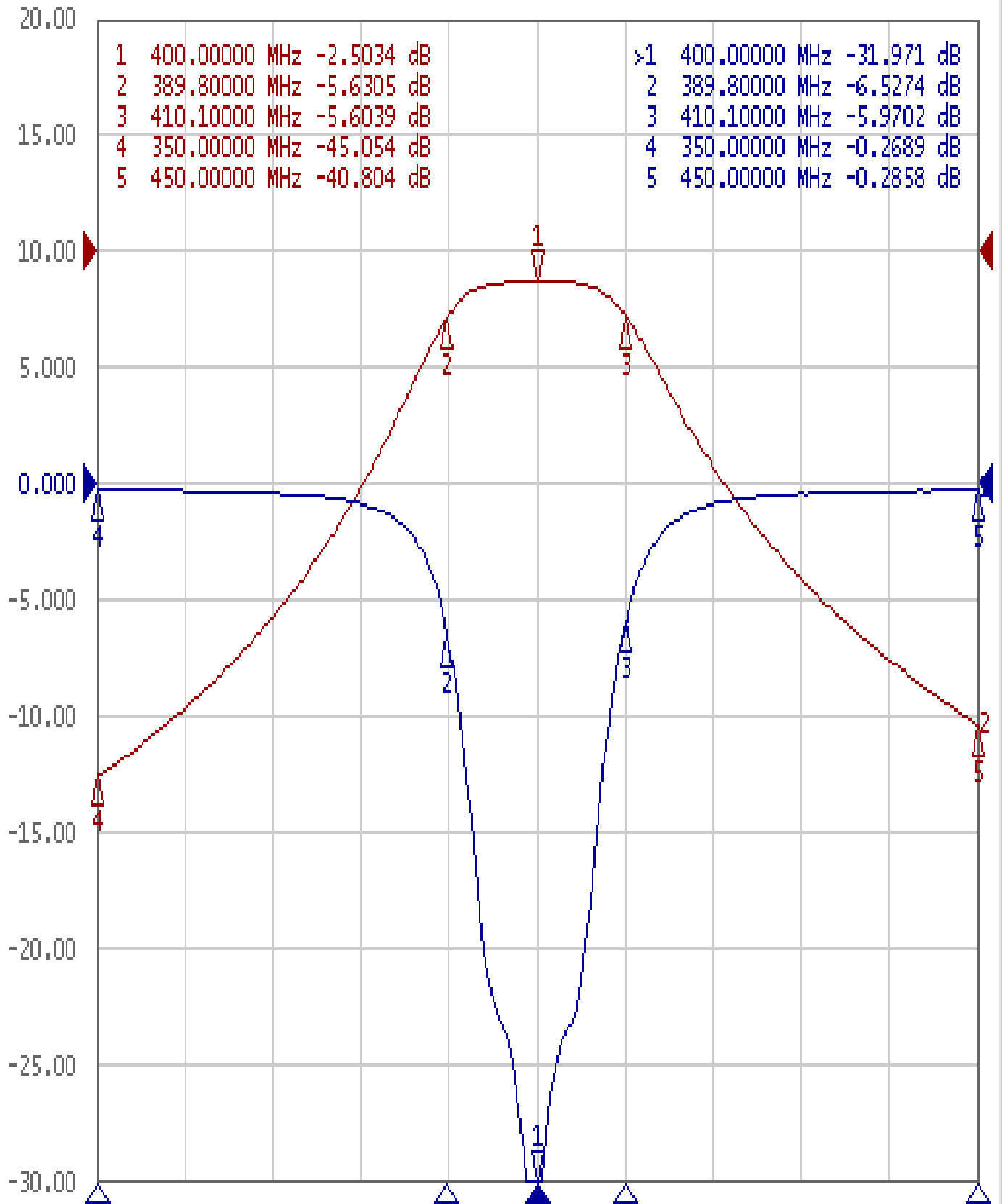
Approval	Supervisor	Designer	Aperture size
C.Y.Chang	C.K.Chang	W.W.Wang	5R3S(3.8*4.65)(5.50) 5HW024RB3
TEMWELL CORPORATION			

Performance-TTR3636A-400M

201505076CD

Tr1 S11 Log Mag 5.000dB/ Ref 0.000dB [F2]

Tr2 S21 Log Mag 10.00dB/ Ref 0.000dB [F2]



1 Center 400 MHz

IFBW 70 kHz

Span 100 MHz Cor !