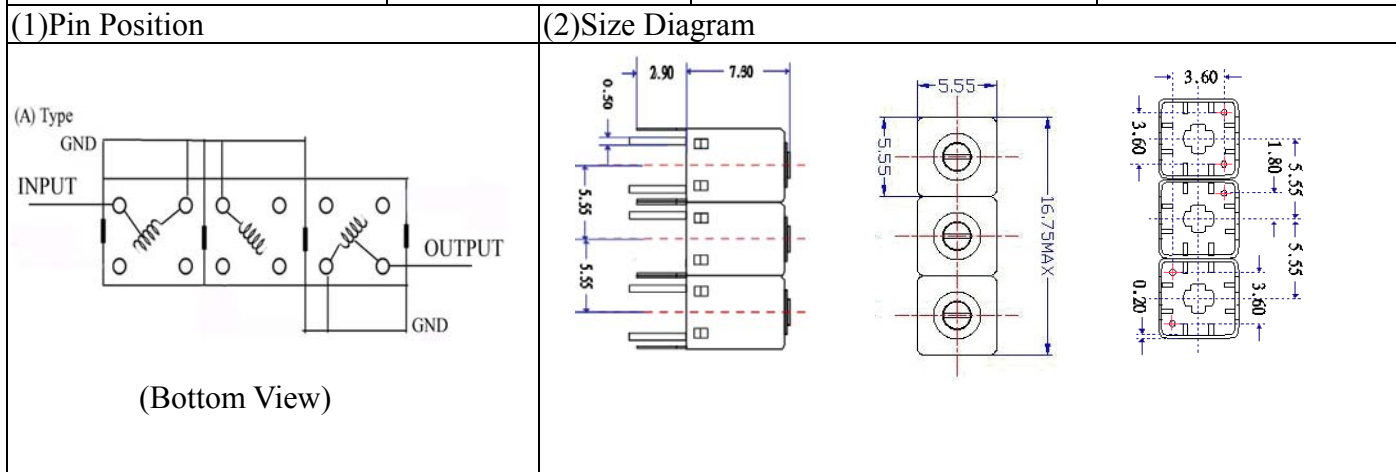


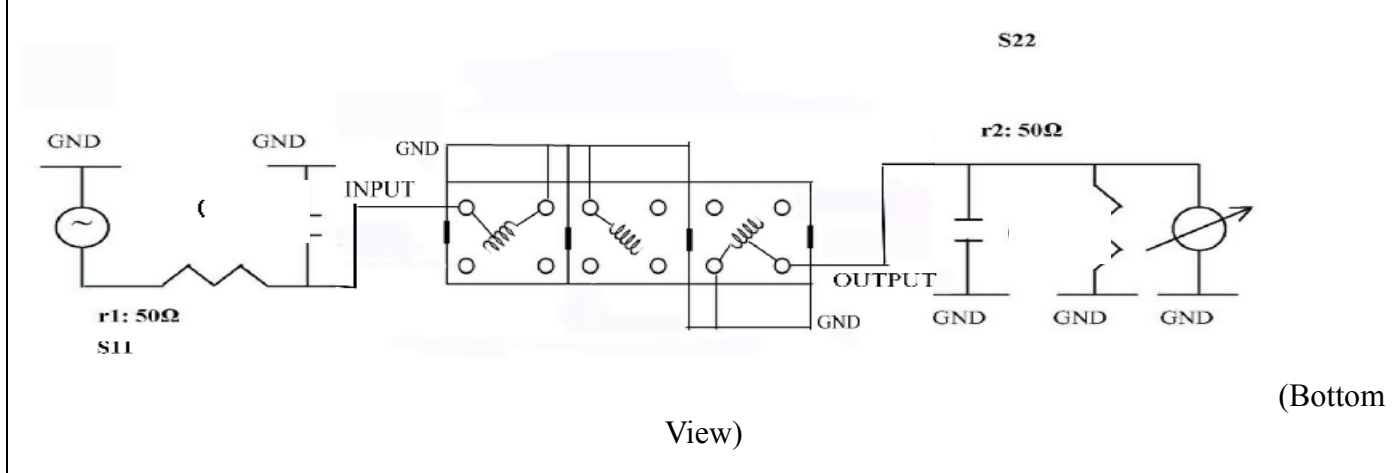
VHF UHF Helical Filter Specification Sheet

Customer Name		Temwell's Part No.	TTR3637A-440M
Approval No. /dated	201505077CD	Temwell's print name	3637A 440M
Work Instruction No.	201505077CD	Date	Jul.07.2015



(3) Electric Characteristic			
Item		Specify	Performance
Center Freq.(Fo) +/- 0.5 %		440 MHz	440 MHz
Insertion Loss		Typ. 4.0 dB	2.95 dB
-3 dB Bandwidth		Typ. 17 MHz	19.4 MHz
Sensitivity (Attenuation)	Fo - 50 MHz	Typ. 39 dBc	42 dBc
	Fo + 50 MHz	Typ. 37 dBc	40 dBc
	Fo - ()MHz	Typ. dBc	dBc
	Fo +()MHz	Typ. dBc	dBc
Return Loss		Min. 12 dB	39.2 dB
Ripple		< 1 dB	dB
Impedance		In / Out : 50 Ω	In / Out : 50 Ω
(4) Torque for Tuning Screw		> 60gf · cm	
(5) Temperature Condition:			
Operating Temperature		0°C ~ +60°C	
Storage Temperature		-20°C ~ +70°C	
(6) Input Power		> 0.5 Watt	

(7) Measuring Circuit: ※ Easy to match Impedance S11/S22 50Ω/ by parallel with about(--)/ (--).



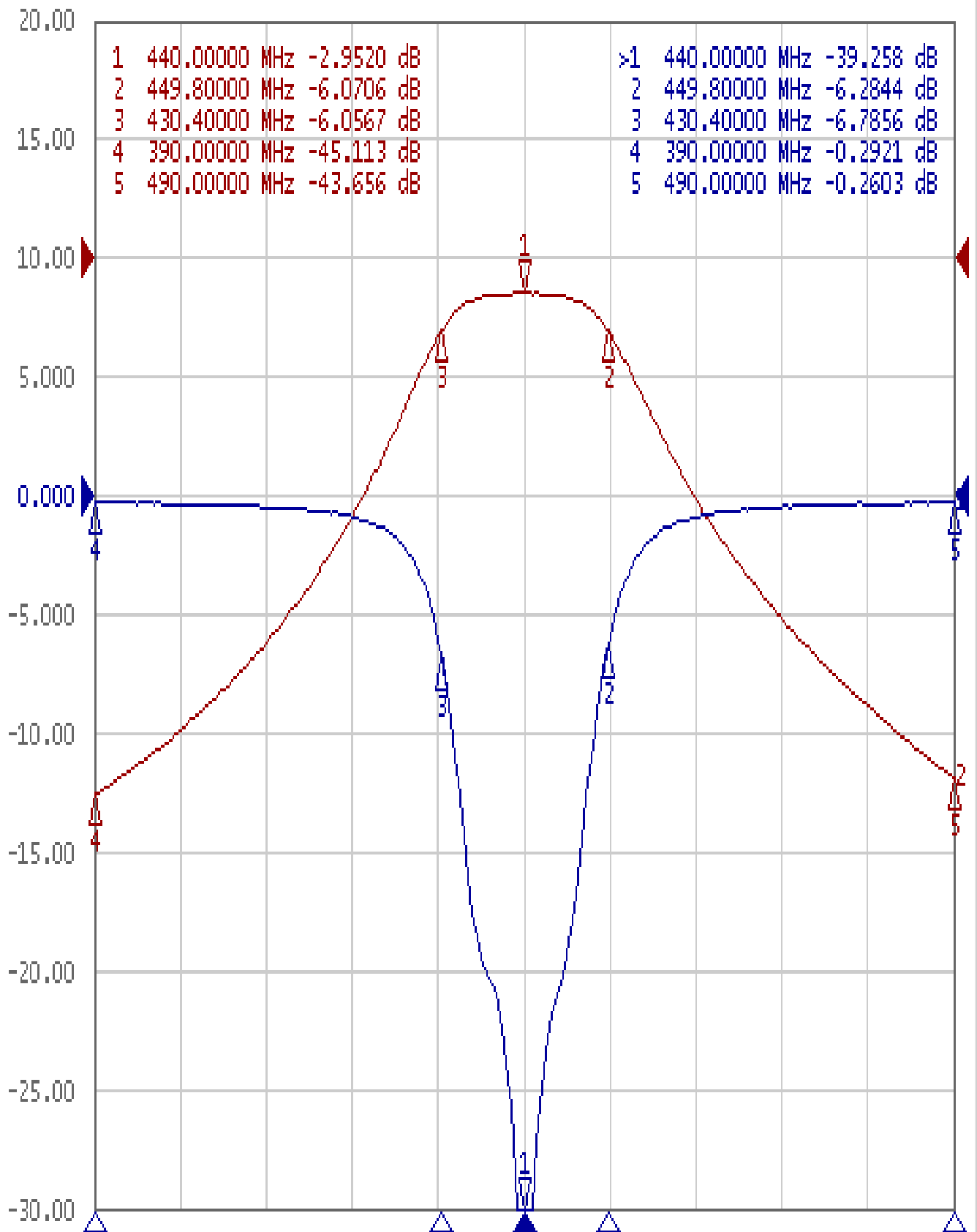
Approval	Supervisor	Designer	Aperture size
C.Y.Chang	C.K.Chang	W.W.Wang	5R3S(3.8*4.2)(5.20) 5HW024RB3

TEMWELL CORPORATION

Performance-TTR3637A-440M

201505077CD

Tr1 S11 Log Mag 5.000dB/ Ref 0.000dB [F2]
Tr2 S21 Log Mag 10.00dB/ Ref 0.000dB [F2]



1 Center 440 MHz IFBW 70 kHz Span 100 MHz Cor