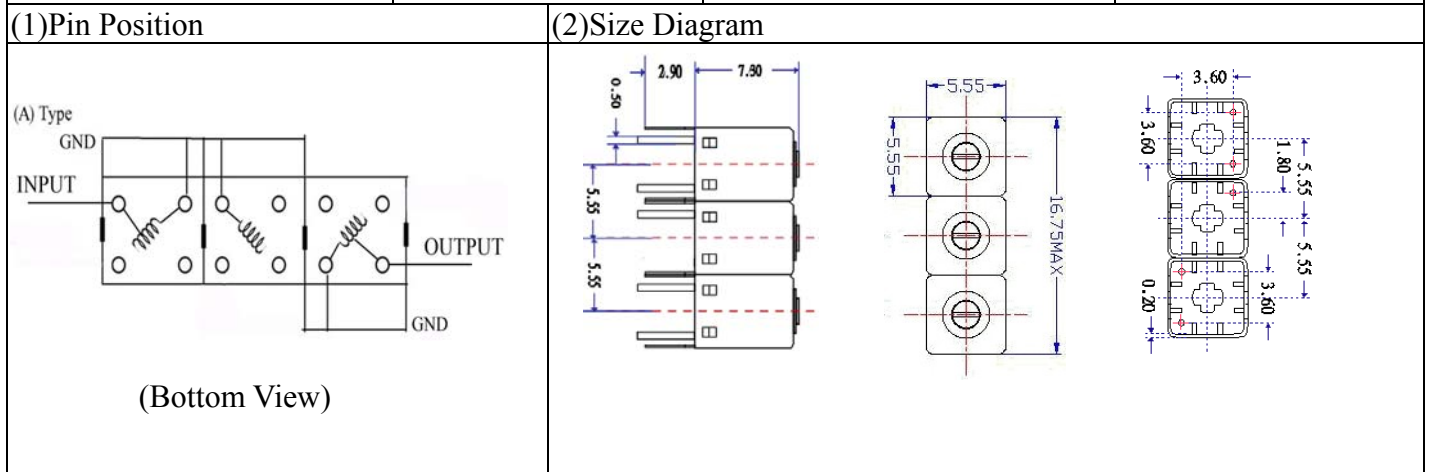


VHF UHF Helical Filter Specification Sheet

Customer Name		Temwell's Part No.	TTR3641A-500M
Approval No. /dated	201505079CD	Temwell's print name	3641A 500M
Work Instruction No.	201505079CD	Date	Jul.08.2015



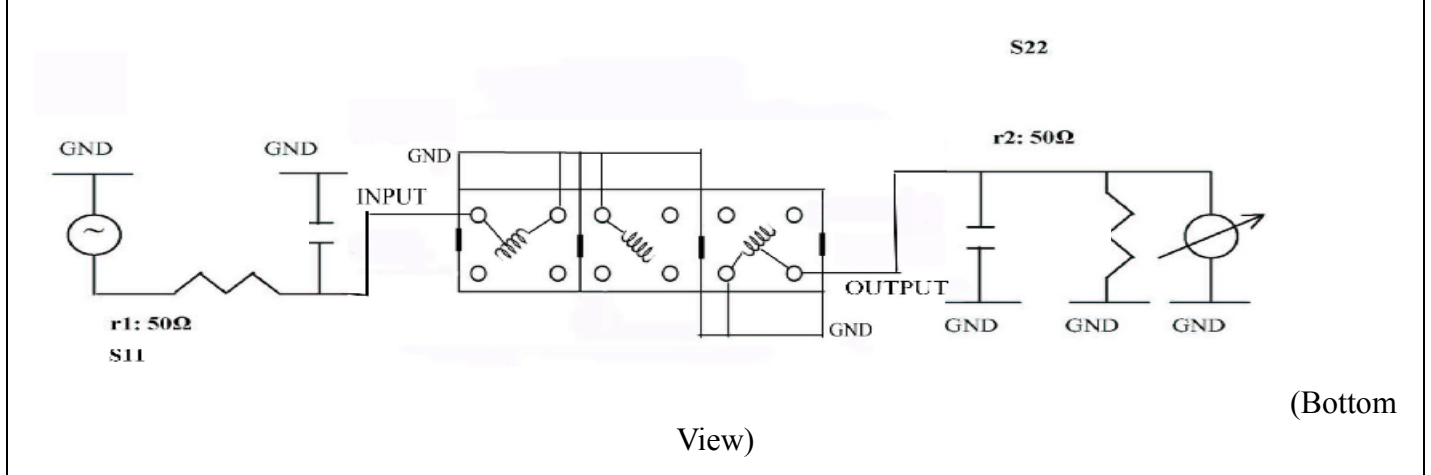
(3) Electric Characteristic			
Item	Specify		Performance
Center Freq.(Fo) +/- 0.5 %	500	MHz	500 MHz
Insertion Loss	Typ. 3.5	dB	2.41 dB
-3 dB Bandwidth	Typ. 20	MHz	22.5 MHz
Sensitivity (Attenuation)	Fo - 50 MHz	Typ. 29 dBc	34 dBc
	Fo + 50 MHz	Typ. 25 dBc	30 dBc
	Fo - ()MHz	Typ. dBc	dBc
	Fo + ()MHz	Typ. dBc	dBc
Return Loss	Min. 12	dB	23.8 dB
Ripple	< 1	dB	dB
Impedance	In / Out : 50 Ω		In / Out : 50 Ω

(4) Torque for Tuning Screw > 60gf • cm

(5) Temperature Condition:	
Operating Temperature	0°C ~ +60°C
Storage Temperature	-20°C ~ +70°C

(6) Input Power > 0.5 Watt

(7) Measuring Circuit: ※Easy to match Impedance S11/S22 50Ω/ by parallel with about(--)/ (--).



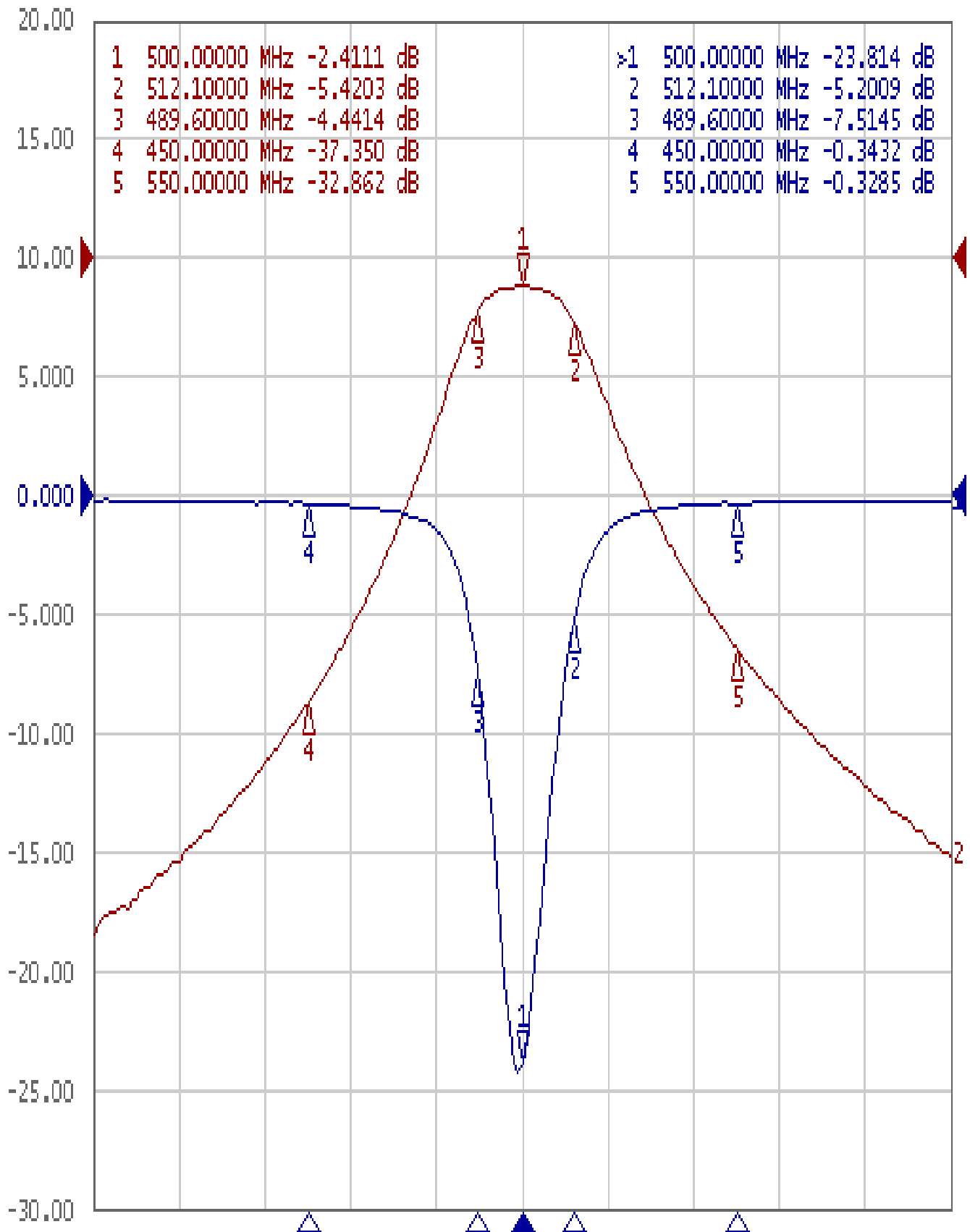
Approval C.Y.Chang	Supervisor C.K.Chang	Designer W.W.Wang	Aperture size 5R3S(3.8*4.2)(5.20) 5HW024RB3
-----------------------	-------------------------	----------------------	---

TEMWELL CORPORATION

Performance-TTR3641A-500M

201505079CD

Tr1 S11 Log Mag 5.000dB/ Ref 0.000dB [F2]
Tr2 S21 Log Mag 10.00dB/ Ref 0.000dB [F2]



1 Center 500 MHz

IFBW 70 kHz

Span 200 MHz

Cor !