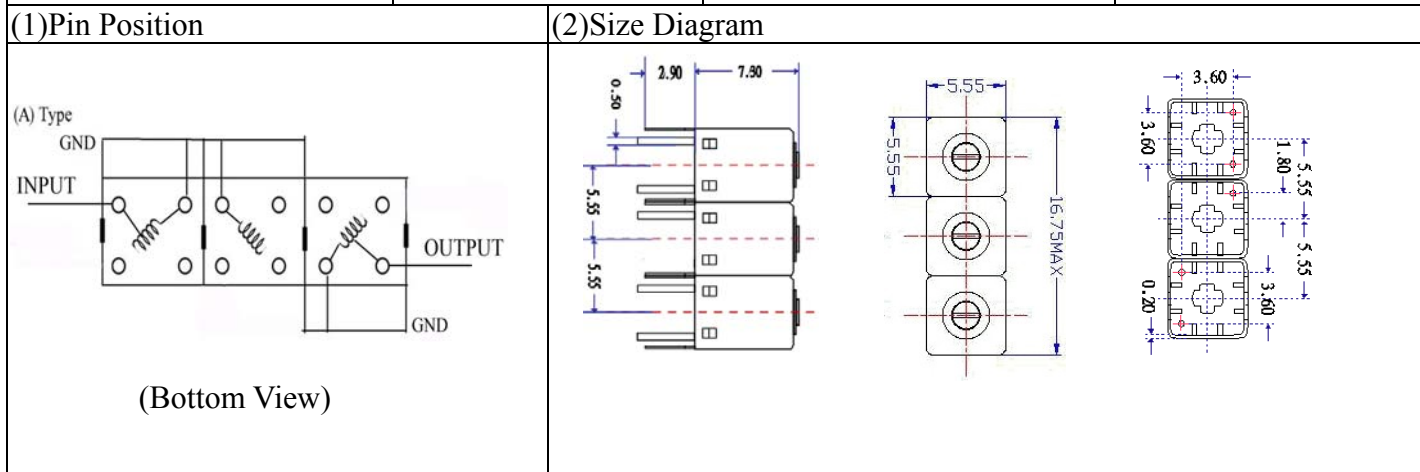


VHF UHF Helical Filter Specification Sheet

Customer Name		Temwell's Part No.	TTR3642A-520M
Approval No. /dated	201505081CD	Temwell's print name	3642A 520M
Work Instruction No.	201505081CD	Date	Jul.14.2015



(3) Electric Characteristic

Item	Specify	Performance	
Center Freq.(Fo) +/- 0.5 %	520 MHz	520 MHz	
Insertion Loss	Typ. 3.5 dB	2.85 dB	
-3 dB Bandwidth	Typ. 20 MHz	22.1 MHz	
Sensitivity (Attenuation)	Fo - 100 MHz	Typ. 54 dBc	57 dBc
	Fo + 100 MHz	Typ. 51 dBc	54 dBc
	Fo - ()MHz	Typ. dBc	dBc
	Fo + ()MHz	Typ. dBc	dBc
Return Loss	Min. 12 dB	24.8 dB	
Ripple	< 1 dB	dB	
Impedance	In / Out : 50 Ω	In / Out : 50 Ω	
(4) Torque for Tuning Screw	> 60gf • cm		

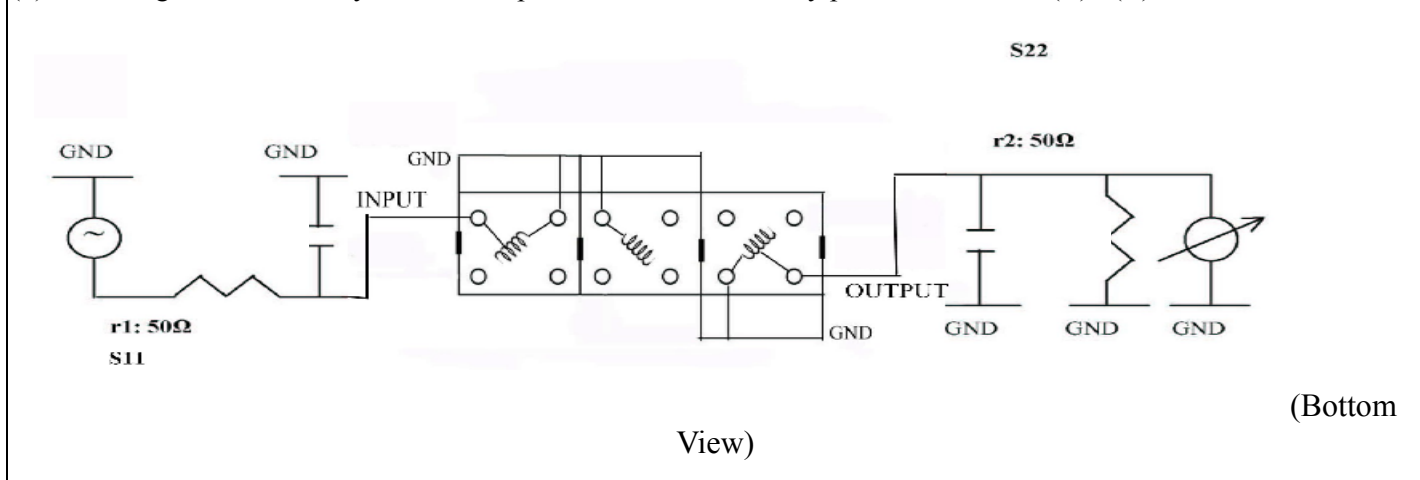
(5) Temperature Condition:

Operating Temperature	0°C ~ +60°C
Storage Temperature	-20°C ~ +70°C

(6) Input Power

> 0.5 Watt

(7) Measuring Circuit: ※Easy to match Impedance S11/S22 50Ω/ by parallel with about(-) / (-).



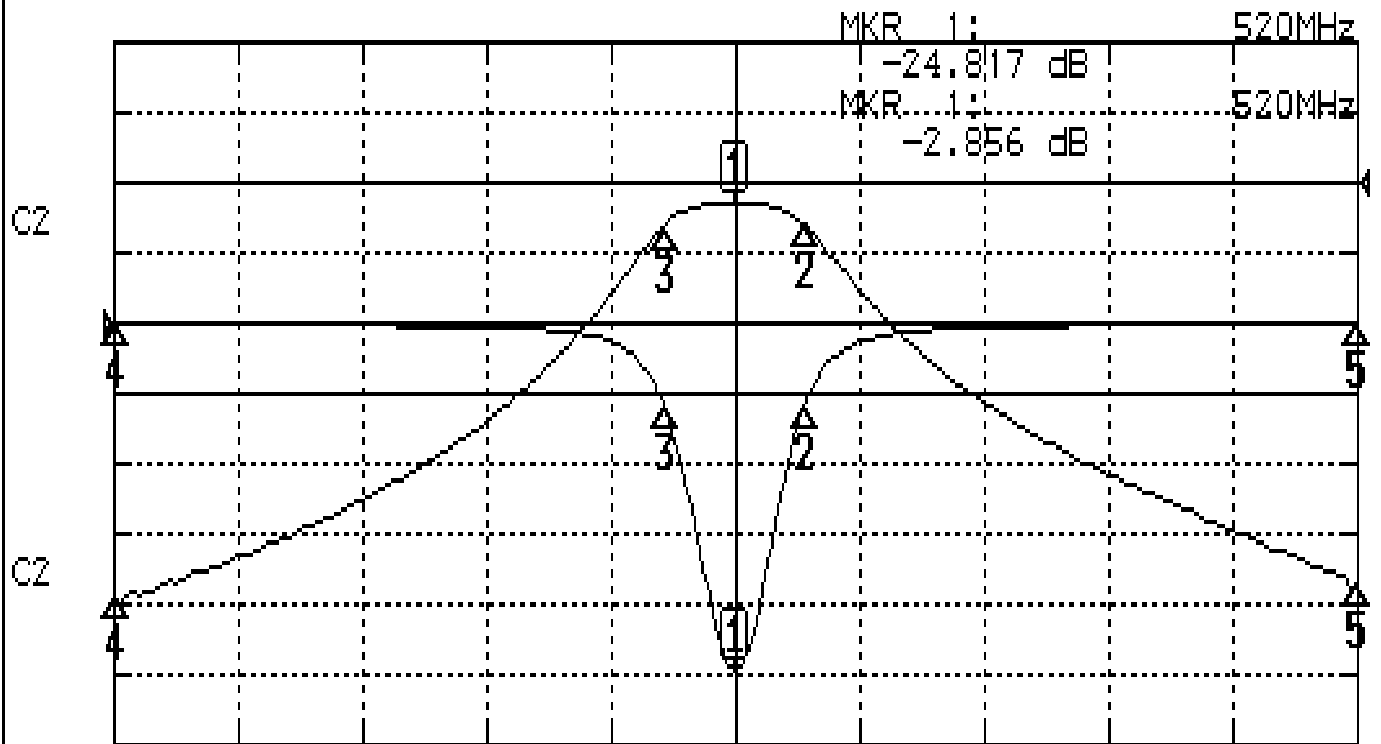
Approval	Supervisor	Designer	Aperture size
C.Y.Chang	C.K.Chang	C.H.Yeh	5R3S(3.8*4.65)(5.48) 5HW024RB3

TEMWELL CORPORATION

Performance-TTR3642A-520M

201505081CD

CH1 S11 LOG MAG REF 0.000 dB 5.000 dB/
CH2 S21 LOG MAG REF 0.000 dB 10.000 dB/



CENTER 520MHz

[10.00 dBm]

SPAN 200MHz

CH1 MARKER LIST

1:	520.000MHz	-24.817	dB
2:	531.000MHz	-6.019	dB
3:	508.833MHz	-6.113	dB
4:	420.000MHz	-0.051	dB
5:	620.000MHz	-0.022	dB

CH2 MARKER LIST

1:	520.000MHz	-2.856	dB
2:	531.000MHz	0.000	dB
3:	508.833MHz	0.000	dB
4:	420.000MHz	0.000	dB
5:	620.000MHz	7.223	dB