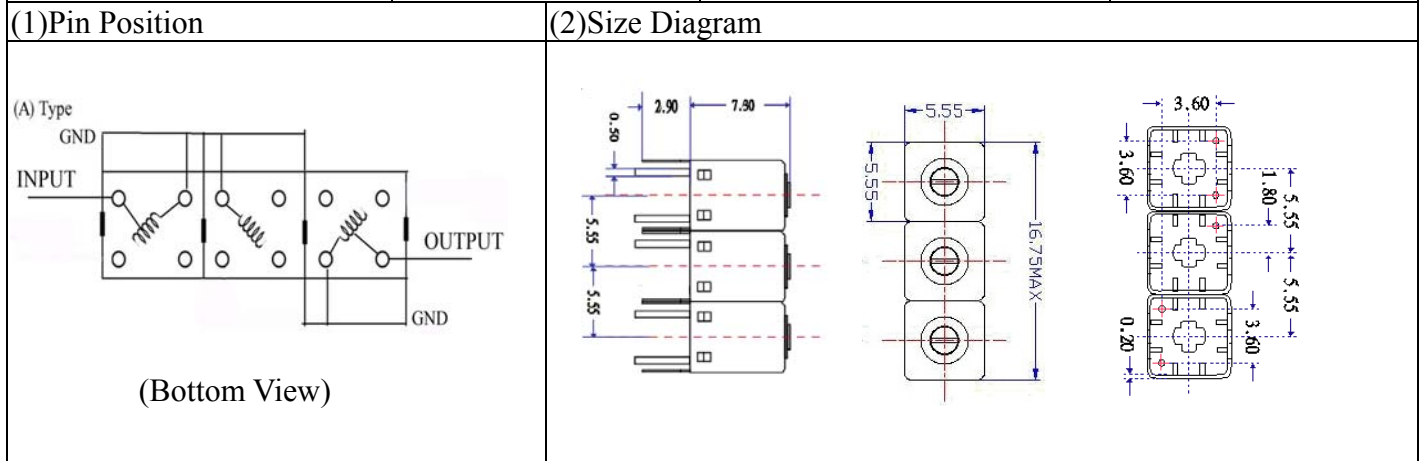


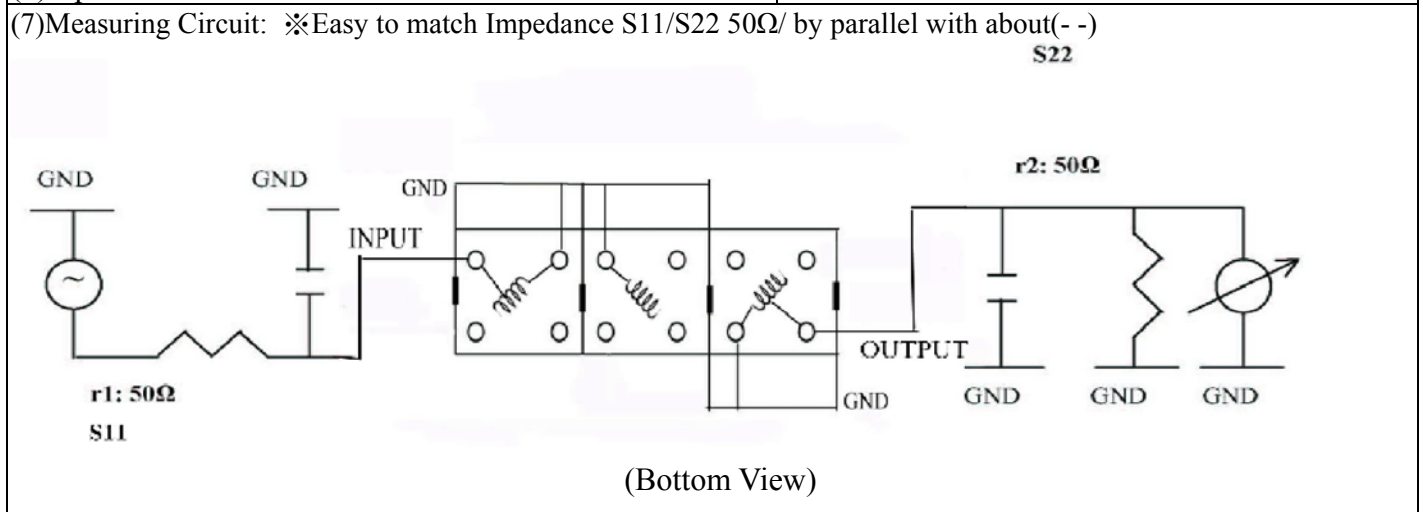
VHF UHF Helical Filter Specification Sheet

| | | | |
|----------------------|-------------|-----------------------|---------------|
| Customer Name | | Temwell's Part No. | TTR3663A-580M |
| Approval No. /dated | 201505086CD | Temwell's Print Name. | 3663A 580M |
| Work Instruction No. | 201505086CD | Date | Oct.06.2015 |



| (3) Electric Characteristic | | | | | |
|------------------------------|-------------|-----------------|--|-----------------|--|
| Item | | Specify | | Performance | |
| Center Freq.(Fo) +/- 0.5 % | | 580 MHz | | 580 MHz | |
| Insertion Loss | | Typ. 6.0 dB | | 4.39 dB | |
| -3 dB Bandwidth | | Typ. 10 MHz | | 15.1 MHz | |
| Sensitivity (Attenuation) | Fo - 50 MHz | Typ. 39 dBc | | 46 dBc | |
| | Fo + 50 MHz | Typ. 50 dBc | | 52 dBc | |
| | Fo - ()MHz | Typ. dBc | | dBc | |
| | Fo + ()MHz | Typ. dBc | | dBc | |
| Return Loss | | Min. 12 dB | | 24.6 dB | |
| Ripple | | < 1 dB | | dB | |
| Impedance | | In / Out : 50 Ω | | In / Out : 50 Ω | |
| (4) Torque for Tuning Screw | | > 60gf • cm | | | |

| | |
|----------------------------|---------------|
| (5) Temperature Condition: | |
| Operating Temperature | 0°C ~ +60°C |
| Storage Temperature | -20°C ~ +70°C |
| (6) Input Power | > 0.5 Watt |



| | | | |
|-----------|------------|-----------|----------------------------------|
| Approval | Supervisor | Designer | Aperture size |
| C.Y.Chang | C.K.Chang | C.S.Chang | 5R3S(3.8*3.65)(4.72 5HW024RB3 |

TEMWELL CORPORATION

Performance-TTR3663A-580M

201505086CD

Tr1 S11 Log Mag 5.000dB/ Ref 0.000dB [F2]
Tr2 S21 Log Mag 10.00dB/ Ref 0.000dB [F2]

