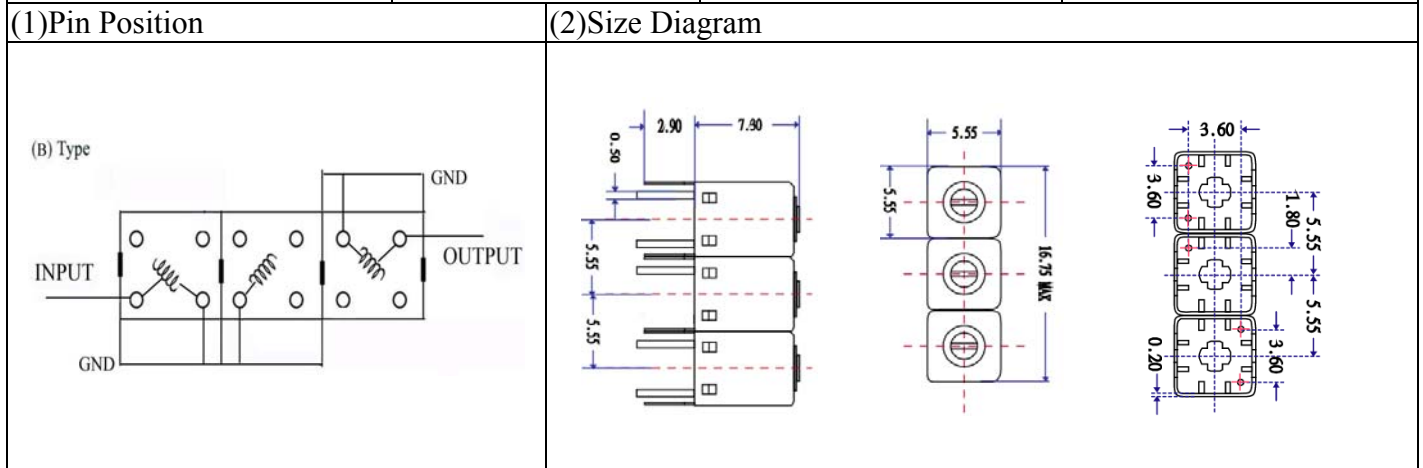


VHF UHF Helical Filter Specification Sheet

Customer Name		Temwell's Part No.	TTR3681B-675M
Approval No. /dated	201505092CD	Temwell's Print Name.	3681B 675M
Work Instruction No.	201505092CD	Date	Oct.22.2015



69(3) Electric Character

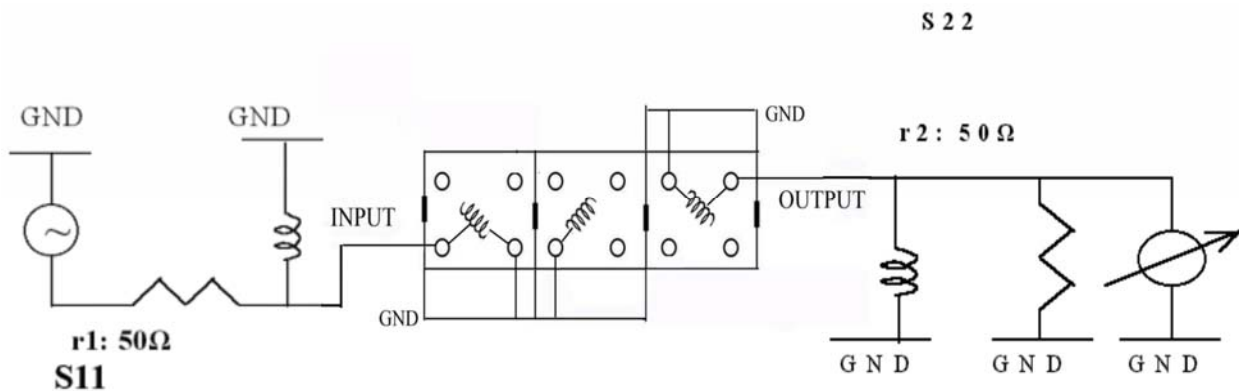
Item	Specify	Performance	
Center Freq.(Fo) +/- 0.5 %	675 MHz	675 MHz	
Insertion Loss	Typ. 4.0 dB	3.02 dB	
-3 dB Bandwidth	Typ. 22 MHz	26.5 MHz	
Sensitivity (Attenuation)	Fo -50 MHz	Typ. 37 dBc	40 dBc
	Fo +50 MHz	Typ. 26 dBc	31 dBc
	Fo - ()MHz	Typ. dBc	dBc
	Fo +()MHz	Typ. dBc	dBc
Return Loss	Min. 12 dB	25.9 dB	
Ripple	< 1 dB	dB	
Impedance	In / Out : 50 Ω	In / Out : 50 Ω	
(4) Torque for Tuning Screw	> 60gf • cm		

(5) Temperature Condition:

Operating Temperature	0°C ~ +60°C
Storage Temperature	-20°C ~ +70°C

(6) Input Power

(7) Measuring Circuit: ※Easy to match Impedance S11/S22 50Ω by parallel with about(-).
S 2 2



(Bottom View)

Approval C.Y.Chang	Supervisor C.K.Chang	Designer W.W.Wang	Aperture size 5R3S(3.8*4.2)(5.18) 5HW024RB3
-----------------------	-------------------------	----------------------	---

TEMWELL CORPORATION

TEMWELL

Form10-5R3B Vision D

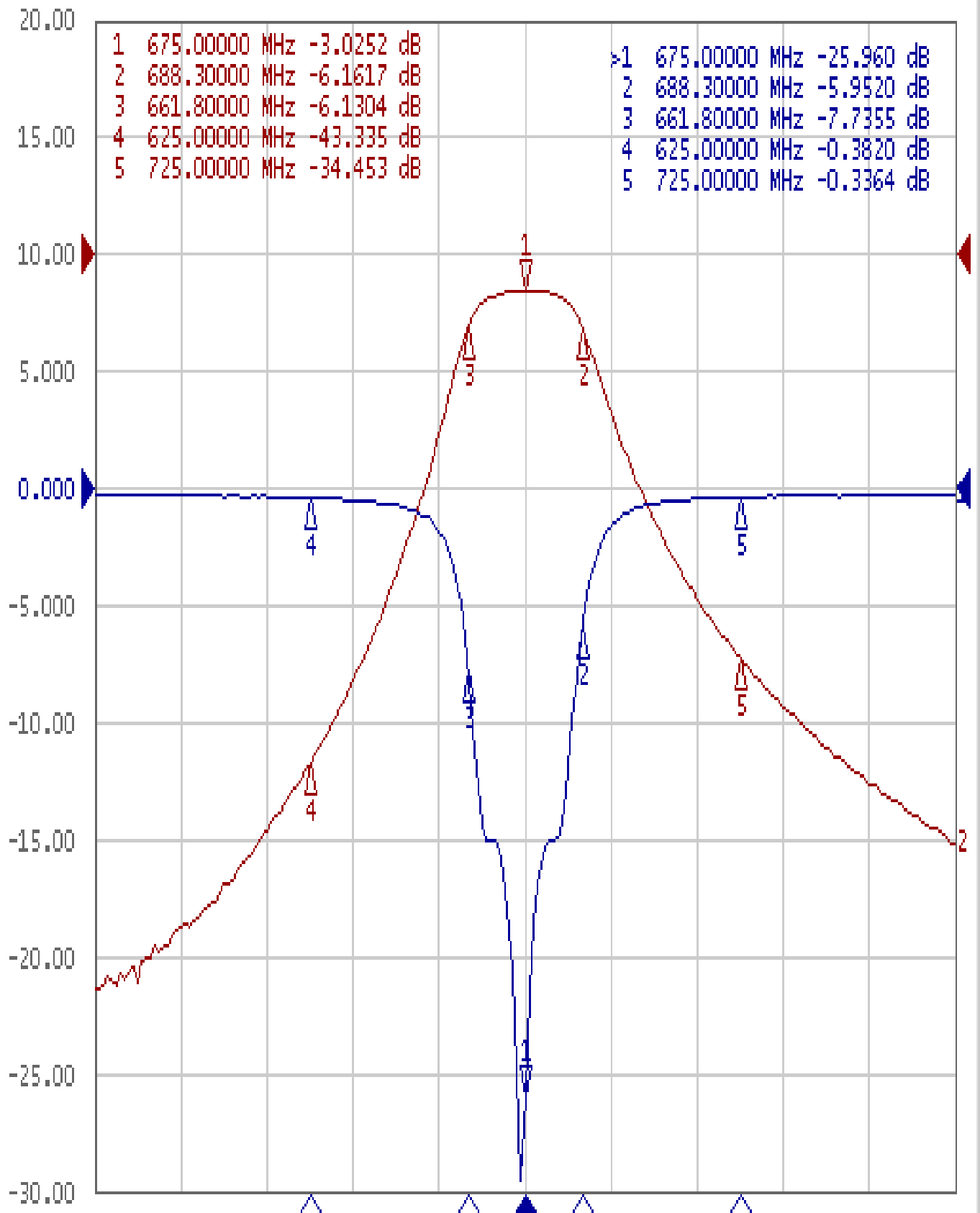
RP(w.w.w)

Performance-TTR3681B-675M

201505092CD

▶ Tr1 S11 Log Mag 5.000dB/ Ref 0.000dB [F2]

Tr2 S21 Log Mag 10.00dB/ Ref 0.000dB [F2]



1 Center 675 MHz

IFBW 70 kHz

Span 200 MHz Cor !