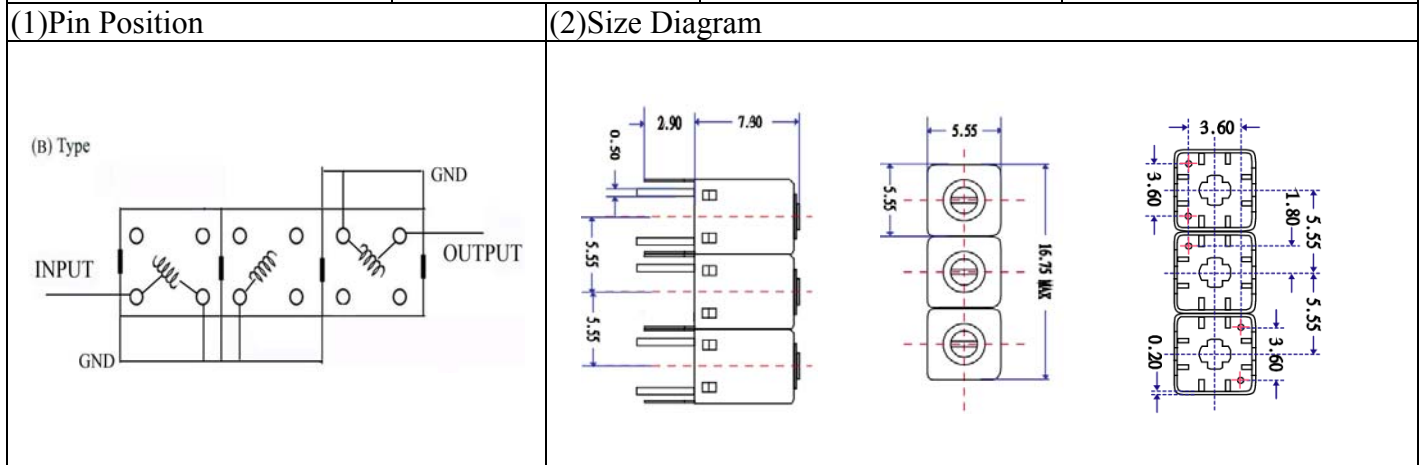


VHF UHF Helical Filter Specification Sheet

Customer Name		Temwell's Part No.	TTR3691B-725M
Approval No. /dated	201505094CD	Temwell's Print Name.	3691B 725M
Work Instruction No.	201505094CD	Date	Oct.28.2015



69(3) Electric Character

Item	Specify	Performance	
Center Freq.(Fo) +/- 0.5 %	725 MHz	725 MHz	
Insertion Loss	Typ. 3.5 dB	2.58 dB	
-3 dB Bandwidth	Typ. 26 MHz	29.7 MHz	
Sensitivity (Attenuation)	Fo -50 MHz	Typ. 33 dBc	36 dBc
	Fo +50 MHz	Typ. 24 dBc	28 dBc
	Fo - ()MHz	Typ. dBc	dBc
	Fo + ()MHz	Typ. dBc	dBc
Return Loss	Min. 12 dB	30.8 dB	
Ripple	< 1 dB	dB	
Impedance	In / Out : 50 Ω	In / Out : 50 Ω	
(4) Torque for Tuning Screw	> 60gf • cm		

(5) Temperature Condition:

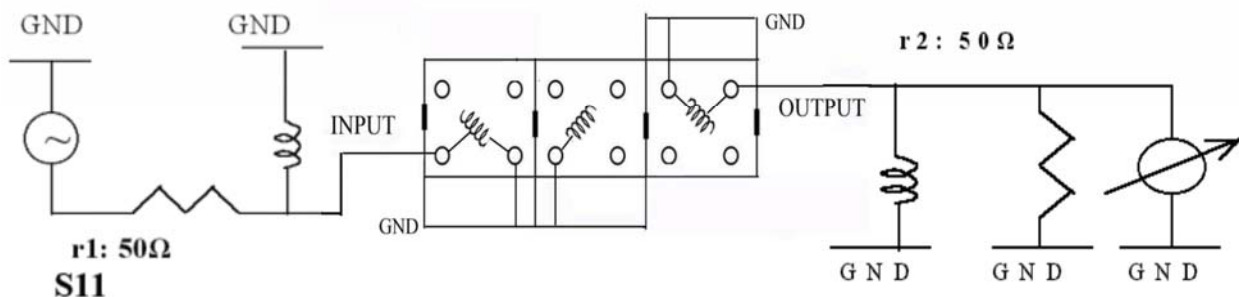
Operating Temperature	0°C ~ +60°C
Storage Temperature	-20°C ~ +70°C

(6) Input Power

>0.5Watt

(7) Measuring Circuit: ※Easy to match Impedance S11/S22 50Ω by parallel with about(- -).

S 2 2



(Bottom View)

Approval C.Y.Chang	Supervisor C.K.Chang	Designer C.S.Chang	Aperture size 5R3S(3.8*4.2)(5.25) 5HW024RB3
-----------------------	-------------------------	-----------------------	---

TEMWELL CORPORATION

TEMWELL

Form10-5R3B Vision D

RP(C.S.C)

Performance-TTR3691B-725M

201505094CD

