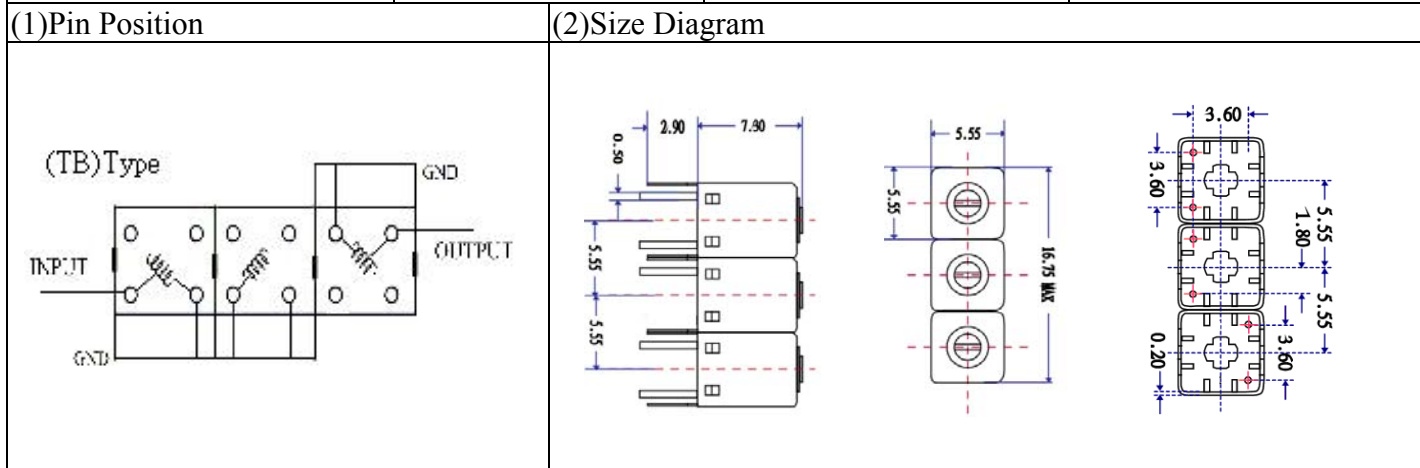


VHF UHF Helical Filter Specification Sheet

Customer Name		Temwell's Part No.	TTR3711TB-830M
Approval No. /dated		Temwell's Print Name.	3711TB 830M
Work Instruction No.	201505099CD	Date	Mov.02.2015



69(3) Electric Character

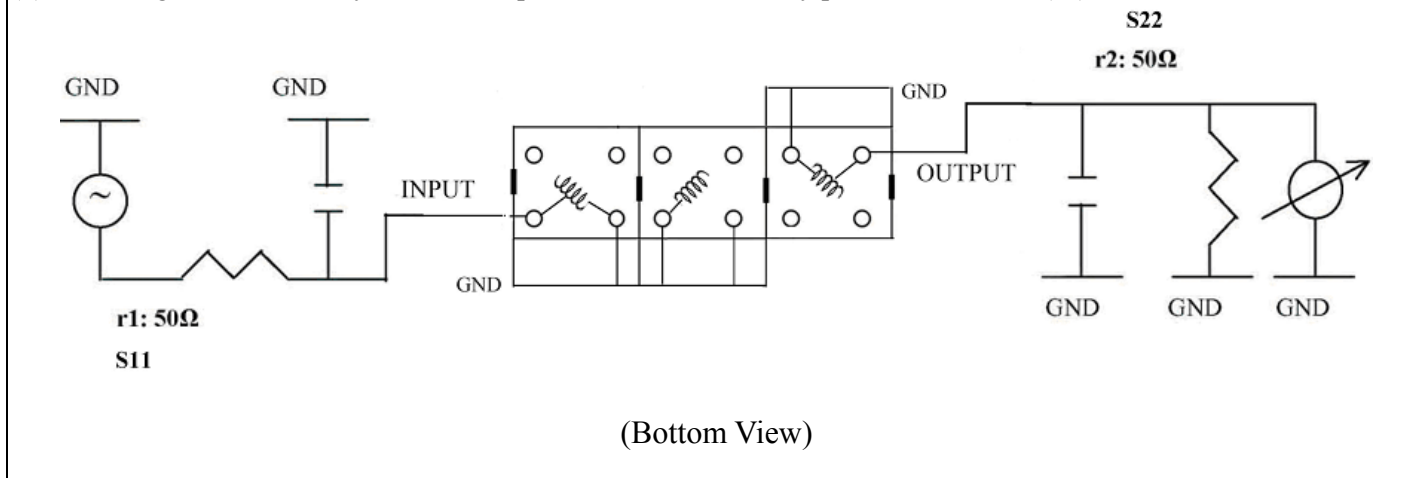
Item	Specify	Performance
Center Freq.(Fo) +/- 0.5 %	830 MHz	830 MHz
Insertion Loss	Typ. 3.5 dB	2.59 dB
-3 dB Bandwidth	Typ. 26 MHz	31.9 MHz
Sensitivity (Attenuation)	Fo -50 MHz	Typ. 29 dBc
	Fo +50 MHz	Typ. 23 dBc
	Fo - ()MHz	Typ. dBc
	Fo +()MHz	Typ. dBc
Return Loss	Min. 12 dB	28.1 dB
Ripple	< 1 dB	
Impedance	In / Out : 50 Ω	In / Out : 50 Ω
(4) Torque for Tuning Screw	> 60gf • cm	

(5) Temperature Condition:

Operating Temperature	0°C ~ +60°C
Storage Temperature	-20°C ~ +70°C

(6) Input Power

(7) Measuring Circuit: ※Easy to match Impedance S11/S22 50Ω by parallel with about(- -).



Approval C.Y.Chang	Supervisor C.K.Chang	Designer C.S.Chang	Aperture size 5R3S(3.8*4.2)(5.25) 5HW024RB3
-----------------------	-------------------------	-----------------------	---

TEMWELL CORPORATION

Performance-TTR3711TB-830M

201505099CD

Tr1 511 Log Mag 5.000dB/ Ref 0.000dB [F2]
Tr2 521 Log Mag 10.00dB/ Ref 0.000dB [F2]

