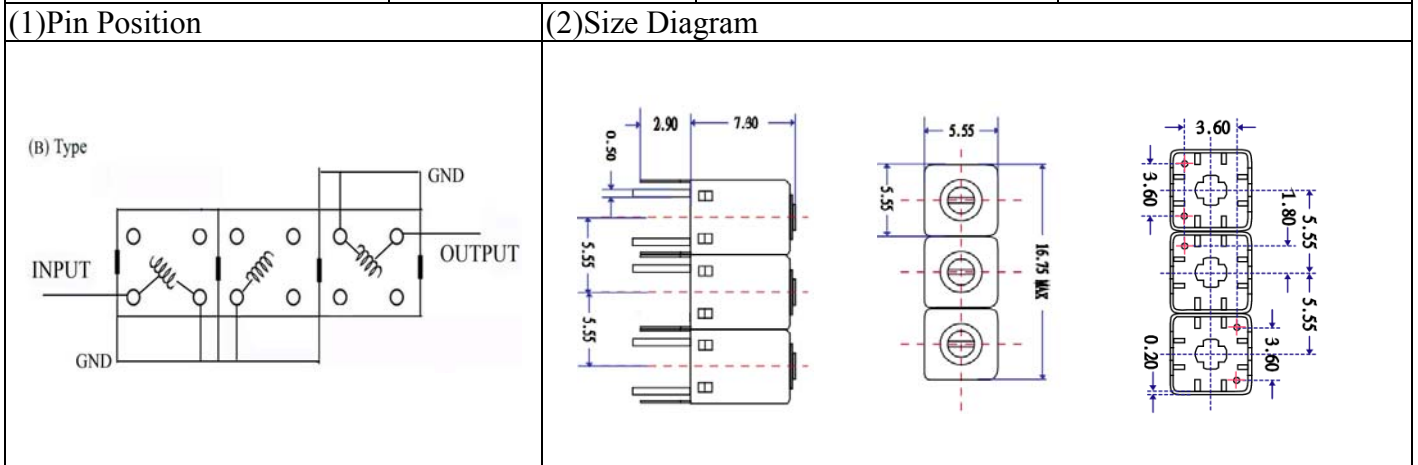
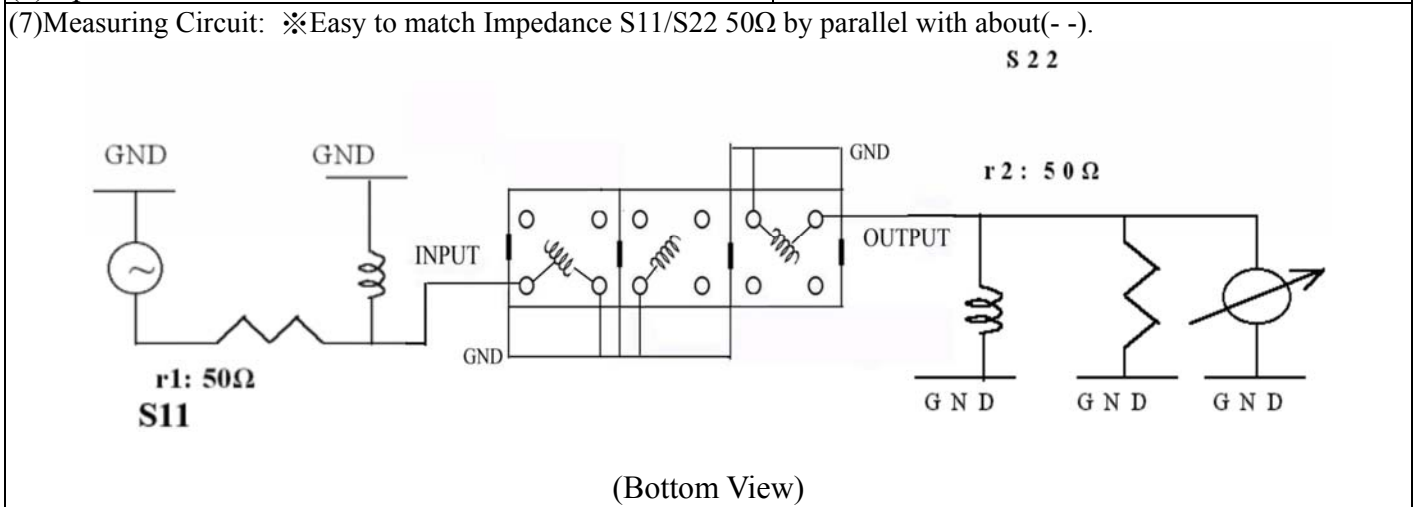


VHF UHF Helical Filter Specification Sheet

Customer Name		Temwell's Part No.	TTR3731B-875M
Approval No. /dated	201505100CD	Temwell's Print Name.	3731B 875M
Work Instruction No.	201505100CD	Date	Nov.03.2015



(3) Electric Character					
Item		Specify		Performance	
Center Freq.(Fo) +/- 0.5 %		875 MHz		875 MHz	
Insertion Loss		Typ. 3.5 dB		2.75 dB	
-3 dB Bandwidth		Typ. 25 MHz		30.5 MHz	
Sensitivity (Attenuation)	Fo -50 MHz	Typ. 30 dBc		33 dBc	
	Fo +50 MHz	Typ. 19 dBc		24 dBc	
	Fo - ()MHz	Typ. dBc		dBc	
	Fo + ()MHz	Typ. dBc		dBc	
Return Loss		Min. 12 dB		27.5 dB	
Ripple		< 1 dB		dB	
Impedance		In / Out : 50 Ω		In / Out : 50 Ω	
(4) Torque for Tuning Screw		> 60gf • cm			
(5) Temperature Condition:					
Operating Temperature		0°C ~ +60°C			
Storage Temperature		-20°C ~ +70°C			
(6) Input Power		> 0.5Watt			



Approval	Supervisor	Designer	Aperture size
C.Y.Chang	C.K.Chang	C.S.Chang	5R3S(3.8*4.2)(5.20) 5HW024RB3

Performance-TTR3731B-875M

201505100CD

Tr1 S11 Log Mag 5.000dB/ Ref 0.000dB [F2]
Tr2 S21 Log Mag 10.00dB/ Ref 0.000dB [F2]

