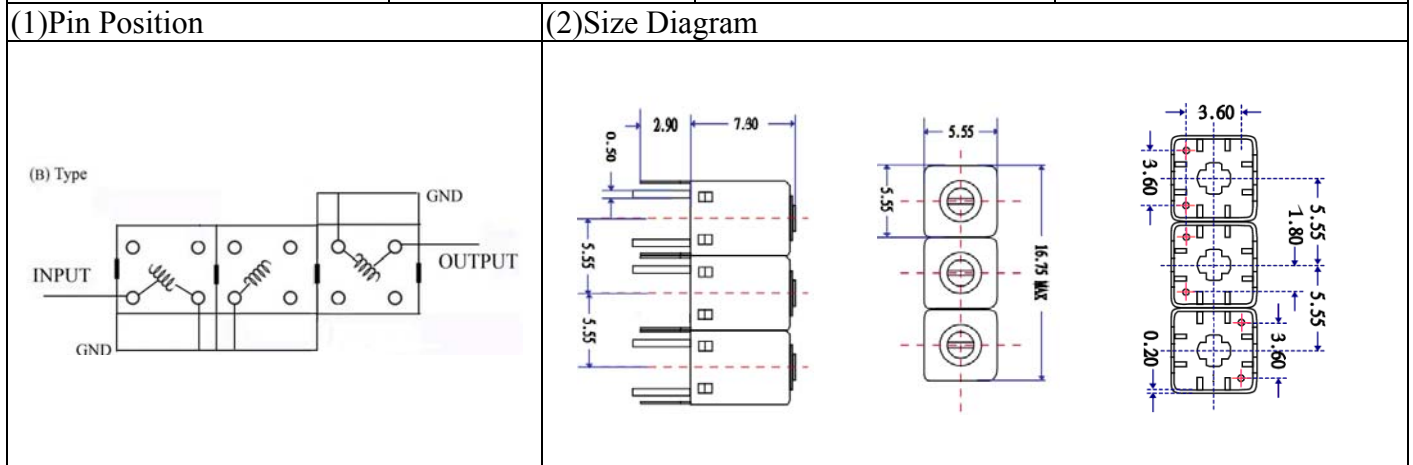


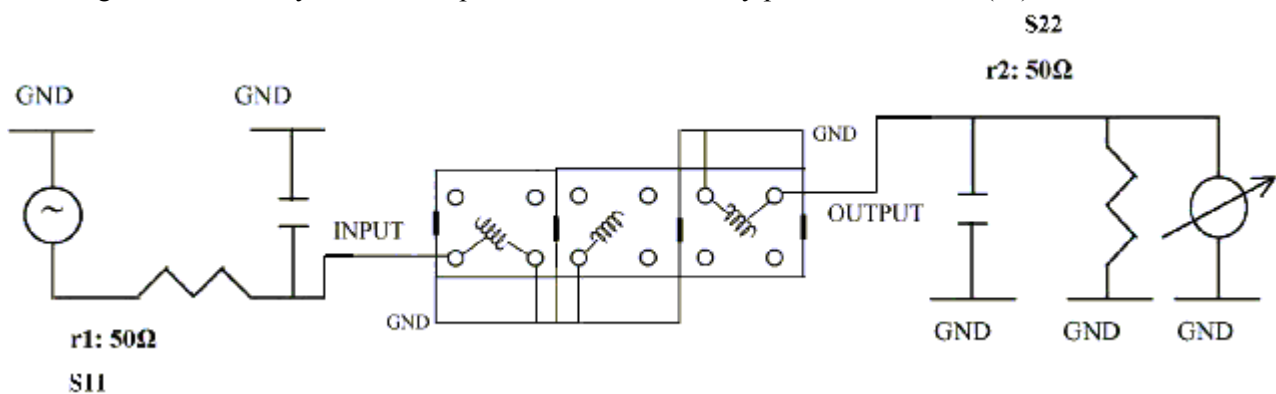
VHF UHF Helical Filter Specification Sheet

Customer Name		Temwell's Part No.	TTR3751B-925M
Approval No. /dated		Temwell's Print Name.	3751B 925M
Work Instruction No.	201505102CD	Date	Nov.04.2015



69(3)Electric Character			
Item		Specify	Performance
Center Freq.(Fo) +/- 0.5 %		925 MHz	925 MHz
Insertion Loss		Typ. 4.0 dB	2.90 dB
-3 dB Bandwidth		Typ. 24 MHz	30.0 MHz
Sensitivity (Attenuation)	Fo -50 MHz	Typ. 27 dBc	31 dBc
	Fo +50 MHz	Typ. 21 dBc	23 dBc
	Fo - ()MHz	Typ. dBc	dBc
	Fo +()MHz	Typ. dBc	dBc
Return Loss		Min. 12 dB	35.7 dB
Ripple		< 1 dB	dB
Impedance		In / Out : 50 Ω	In / Out : 50 Ω
(4)Torque for Tuning Screw		> 60gf • cm	
(5)Temperature Condition:			
Operating Temperature		0°C ~ +60°C	
Storage Temperature		-20°C ~ +70°C	
(6)Input Power		>0.5Watt	

(7)Measuring Circuit: ※Easy to match Impedance S11/S22 50Ω by parallel with about(- -).



(Bottom View)

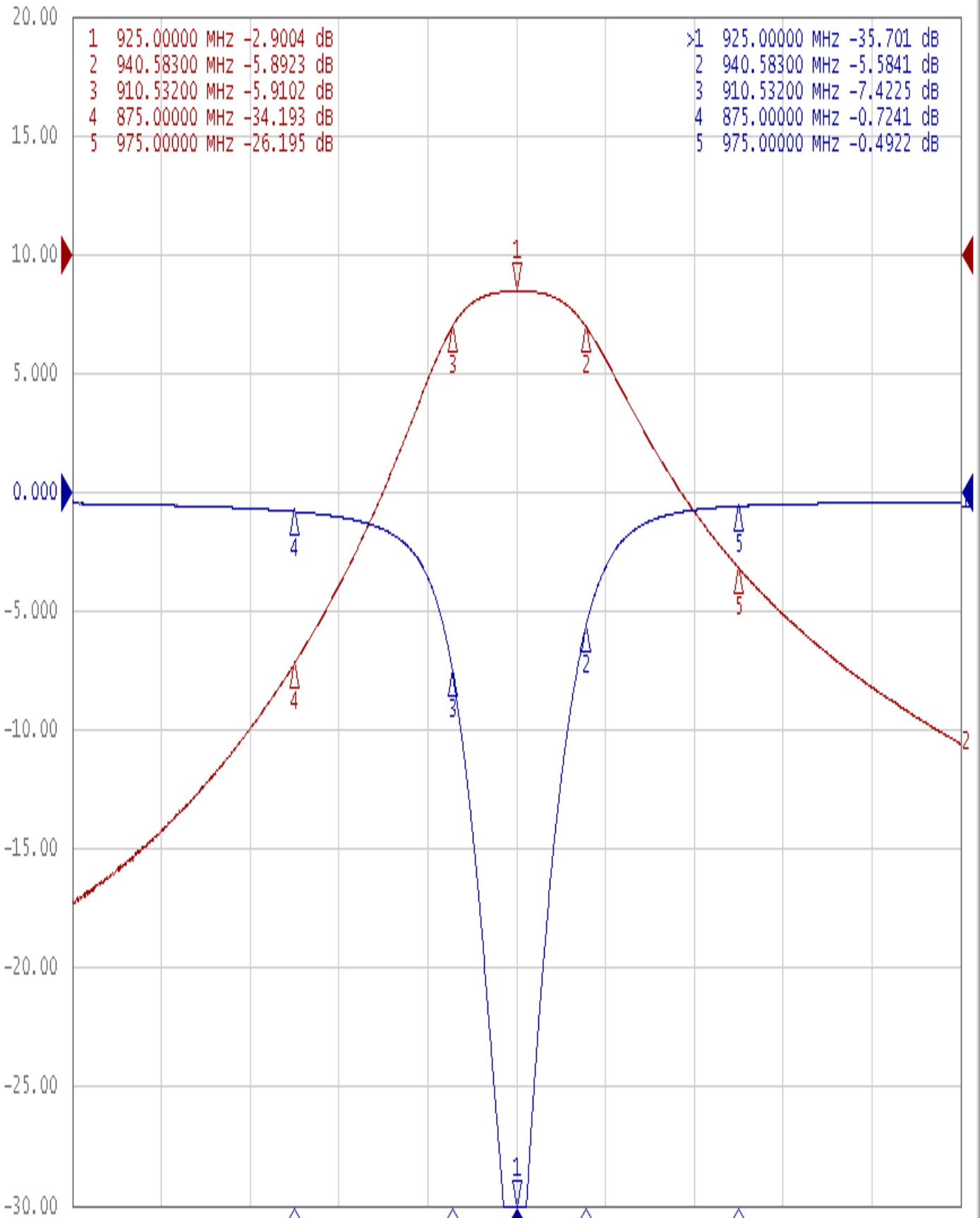
Approval	Supervisor	Designer	Aperture size
C.Y.Chang	C.K.Chang	C.S.Chang	5R3S(3.8*4.2)(5.25) 5HW024RB3

TEMWELL CORPORATION

Performance-TTR3751B-925M

201505102CD

Tr1 511 Log Mag 5.000dB/ Ref 0.000dB [F2]
Tr2 521 Log Mag 10.00dB/ Ref 0.000dB [F2]



1 Center 925 MHz

IFBW 10 kHz

Span 200 MHz Cor !