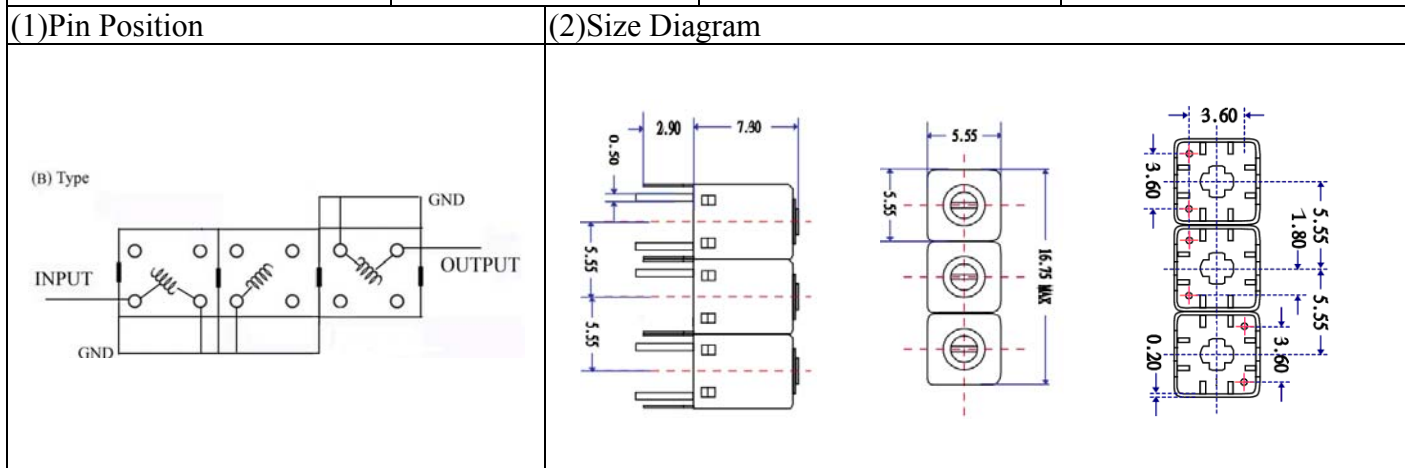


VHF UHF Helical Filter Specification Sheet

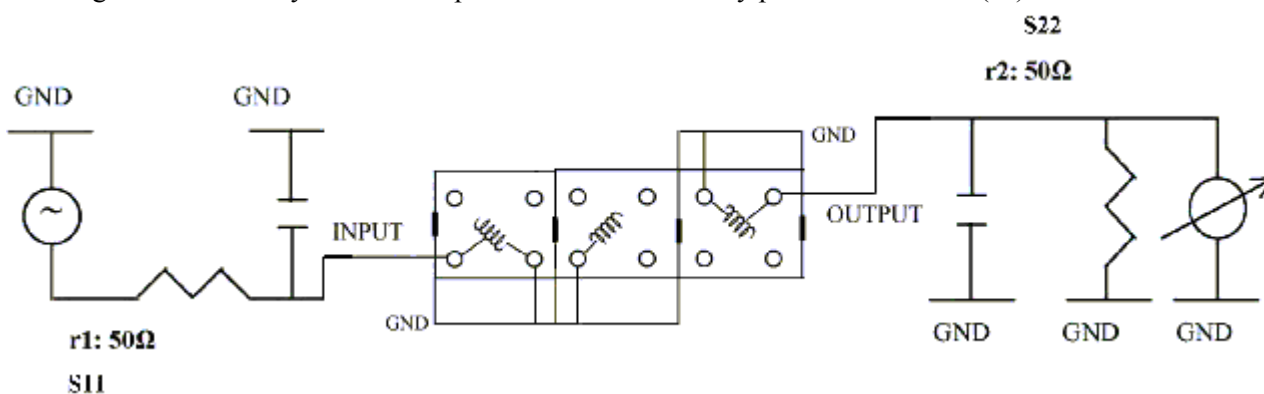
Customer Name		Temwell's Part No.	TTR3769B-975M
Approval No. /dated		Temwell's Print Name.	3769B 975M
Work Instruction No.	201505104CD	Date	Nov.10.2015



69(3) Electric Character

Item	Specify	Performance	
Center Freq.(Fo) +/- 0.5 %	975 MHz	975 MHz	
Insertion Loss	Typ. 4.0 dB	2.62 dB	
-3 dB Bandwidth	Typ. 24 MHz	31.4 MHz	
Sensitivity (Attenuation)	Fo -50 MHz	Typ. 25 dBc	30 dBc
	Fo +50 MHz	Typ. 19 dBc	22 dBc
	Fo - ()MHz	Typ. dBc	dBc
	Fo +()MHz	Typ. dBc	dBc
Return Loss	Min. 12 dB	25.4 dB	
Ripple	< 1 dB	dB	
Impedance	In / Out : 50 Ω	In / Out : 50 Ω	
(4) Torque for Tuning Screw	> 60gf • cm		
(5) Temperature Condition:			
Operating Temperature	0°C ~ +60°C		
Storage Temperature	-20°C ~ +70°C		
(6) Input Power	> 0.5Watt		

(7) Measuring Circuit: ※Easy to match Impedance S11/S22 50Ω by parallel with about(- -).



(Bottom View)

Approval	Supervisor	Designer	Aperture size
C.Y.Chang	C.K.Chang	C.S.Chang	5R3S(3.8*4.2)(5.25) 5HW024RB3

TEMWELL CORPORATION

TEMWELL

Form10-5R3B Vision D

RP(C.S.C)

Performance-TTR3769B-975M

201505104CD

Tr1 S11 Log Mag 5.000dB/ Ref 0.000dB [F2]
Tr2 S21 Log Mag 10.00dB/ Ref 0.000dB [F2]

