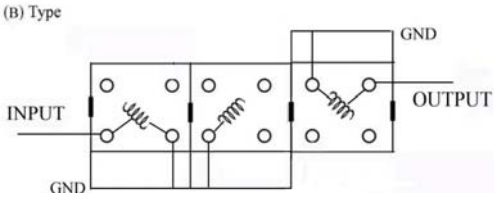
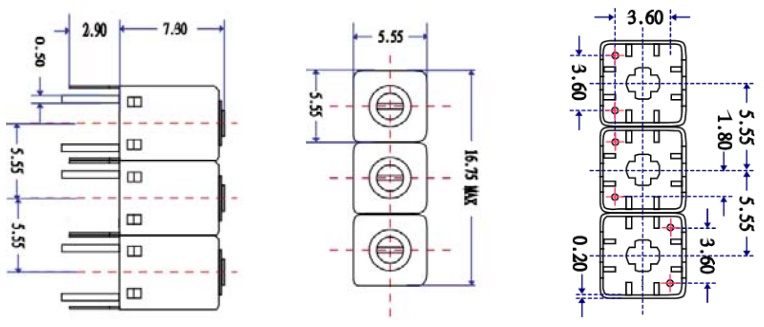


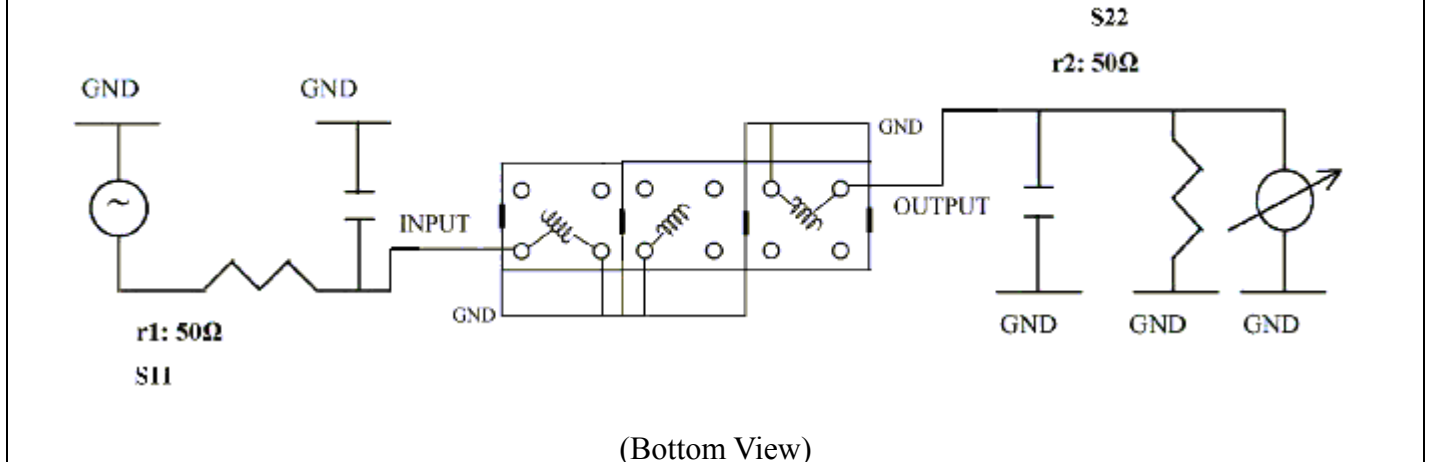
VHF UHF Helical Filter Specification Sheet

Customer Name		Temwell's Part No.	TTR3775B-1275M
Approval No. /dated	201505107CD	Temwell's Print Name.	3775B 1275M
Work Instruction No.	201505107CD	Date	Nov.20.2015

(1) Pin Position	(2) Size Diagram
	

69(3) Electric Character					
Item		Specify		Performance	
Center Freq.(Fo) +/- 0.5 %		1275 MHz		1275 MHz	
Insertion Loss		Typ. 4.5 dB		3.45 dB	
-3 dB Bandwidth		Typ. 21 MHz		29.6 MHz	
Sensitivity (Attenuation)	Fo -50 MHz	Typ. 24 dBc		28 dBc	
	Fo +50 MHz	Typ. 19 dBc		22 dBc	
	Fo - ()MHz	Typ. dBc		dBc	
	Fo + ()MHz	Typ. dBc		dBc	
Return Loss		Min. 12 dB		22.1 dB	
Ripple		< 1 dB		dB	
Impedance		In / Out : 50 Ω		In / Out : 50 Ω	
(4) Torque for Tuning Screw		> 60gf • cm			
(5) Temperature Condition:					
Operating Temperature		0°C ~ +60°C			
Storage Temperature		-20°C ~ +70°C			
(6) Input Power		> 0.5Watt			

(7) Measuring Circuit: ※ Easy to match Impedance S11/S22 50Ω by parallel with about(- -).



Approval	Supervisor	Designer	Aperture size
C.Y.Chang	C.K.Chang	C.S.Chang	5R3S(3.8*4.2)(5.25) 5HW024RB3

Performance-TTR3775B-1275M

201505107CD

Tr1 S11 Log Mag 5.000dB/ Ref 0.000dB [F2]
Tr2 S21 Log Mag 10.00dB/ Ref 0.000dB [F2]

