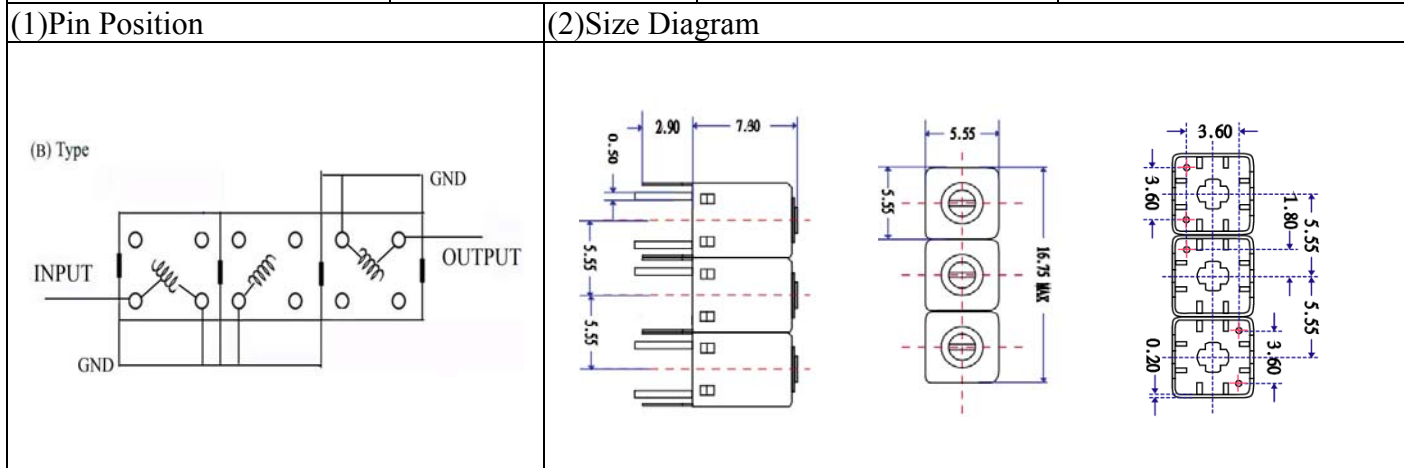


# VHF UHF Helical Filter Specification Sheet

Customer Name		Temwell's Part No.	TTR3791B-1025M
Approval No. /dated	201505108CD	Temwell's Print Name.	3791B 1025M
Work Instruction No.	201505108CD	Date	Jul.08.2015



### (3) Electric Character

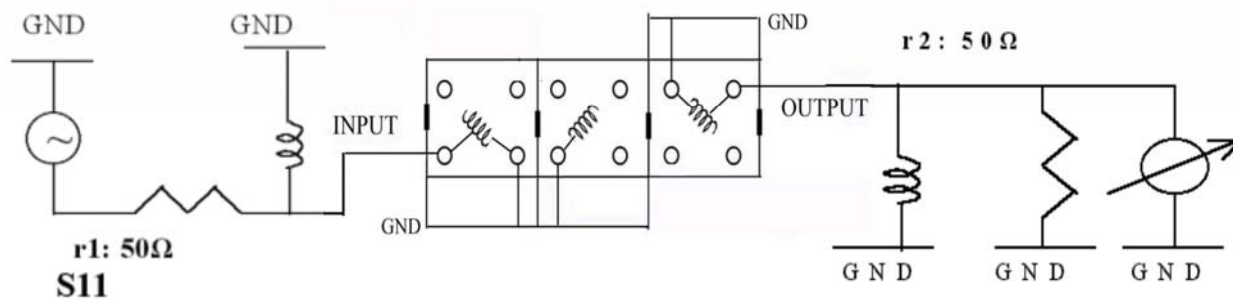
Item	Specify	Performance
Center Freq.(Fo) +/- 0.5 %	1025 MHz	1025 MHz
Insertion Loss	Typ. 3.5 dB	2.77 dB
-3 dB Bandwidth	Typ. 22 MHz	32.4 MHz
Sensitivity (Attenuation)	Fo -50 MHz	Typ. 24 dBc
	Fo +50 MHz	Typ. 19 dBc
	Fo - ( )MHz	Typ. dBc
	Fo +( )MHz	Typ. dBc
Return Loss	Min. 12 dB	26.6 dB
Ripple	< 1 dB	dB
Impedance	In / Out : 50 Ω	In / Out : 50 Ω
(4) Torque for Tuning Screw	> 60gf · cm	

### (5) Temperature Condition:

Operating Temperature	0°C ~ +60°C
Storage Temperature	-20°C ~ +70°C

### (6) Input Power

(7) Measuring Circuit: ※Easy to match Impedance S11/S22 50Ω by parallel with about(- -).  
S 2 2



(Bottom View)

Approval C.Y.Chang	Supervisor C.K.Chang	Designer C.S.Chang	Aperture size 5R3S(3.8*4.2)(5.25) 5HW024RB3
-----------------------	-------------------------	-----------------------	---

TEMWELL CORPORATION

# Performance-TTR3791B-1025M

## 201505108CD

Tr1 S11 Log Mag 5.000dB/ Ref 0.000dB [F2]  
Tr2 S21 Log Mag 10.000dB/ Ref 0.000dB [F2]

