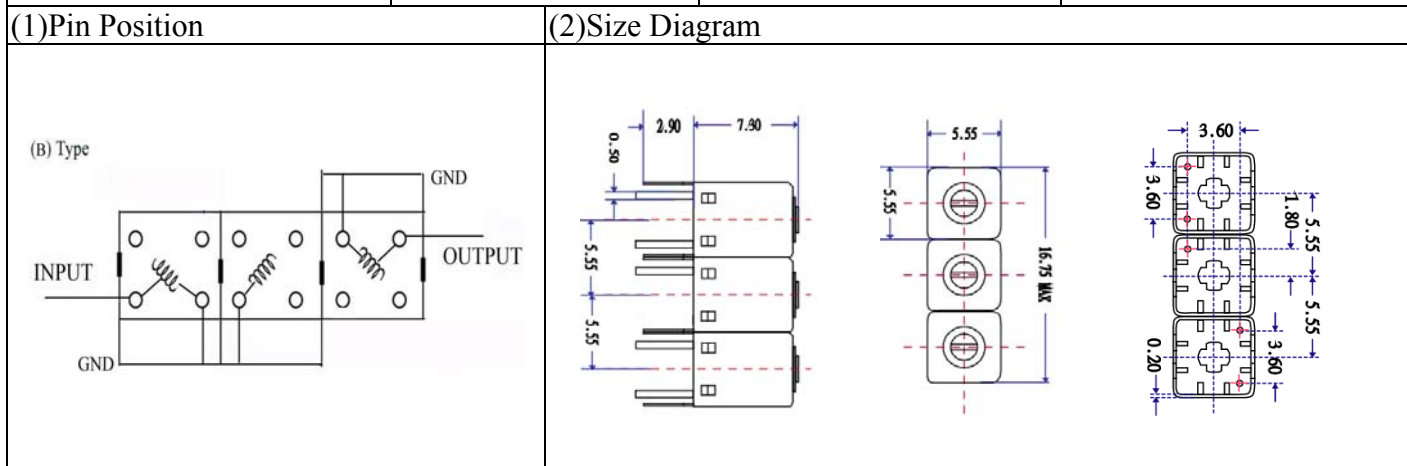


VHF UHF Helical Filter Specification Sheet

Customer Name		Temwell's Part No.	TTR3793B-1075M
Approval No. /dated	201505109CD	Temwell's Print Name.	3793B 1075M
Work Instruction No.	201505109CD	Date	Jul.09.2015



(3) Electric Character

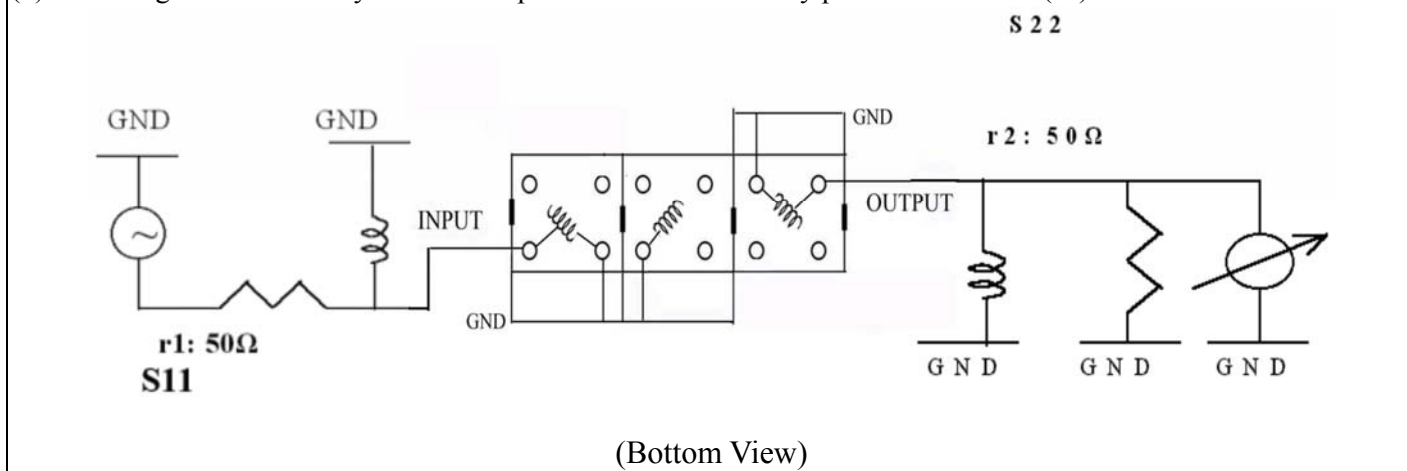
Item	Specify	Performance	
Center Freq.(Fo) +/- 0.5 %	1075 MHz	1025 MHz	
Insertion Loss	Typ. 4.5 dB	3.46 dB	
-3 dB Bandwidth	Typ. 20 MHz	30.2 MHz	
Sensitivity (Attenuation)	Fo -50 MHz	Typ. 22 dBc	29 dBc
	Fo +50 MHz	Typ. 17 dBc	23 dBc
	Fo - ()MHz	Typ. dBc	dBc
	Fo + ()MHz	Typ. dBc	dBc
Return Loss	Min. 12 dB	28.3 dB	
Ripple	< 1 dB	dB	
Impedance	In / Out : 50 Ω	In / Out : 50 Ω	
(4) Torque for Tuning Screw	> 60gf · cm		

(5) Temperature Condition:

Operating Temperature	0°C ~ +60°C
Storage Temperature	-20°C ~ +70°C

(6) Input Power

(7) Measuring Circuit: ※Easy to match Impedance S11/S22 50Ω by parallel with about(- -).	>0.5Watt
--	----------



Approval C.Y.Chang	Supervisor C.K.Chang	Designer C.S.Chang	Aperture size 5R3S(3.8*4.2)(5.25) 5HW024RB3
-----------------------	-------------------------	-----------------------	---

TEMWELL CORPORATION

Performance-TTR3793B-1075M

201505109CD

Tr1 511 Log Mag 5.000dB/ Ref 0.000dB [F2]
Tr2 521 Log Mag 10.00dB/ Ref 0.000dB [F2]

