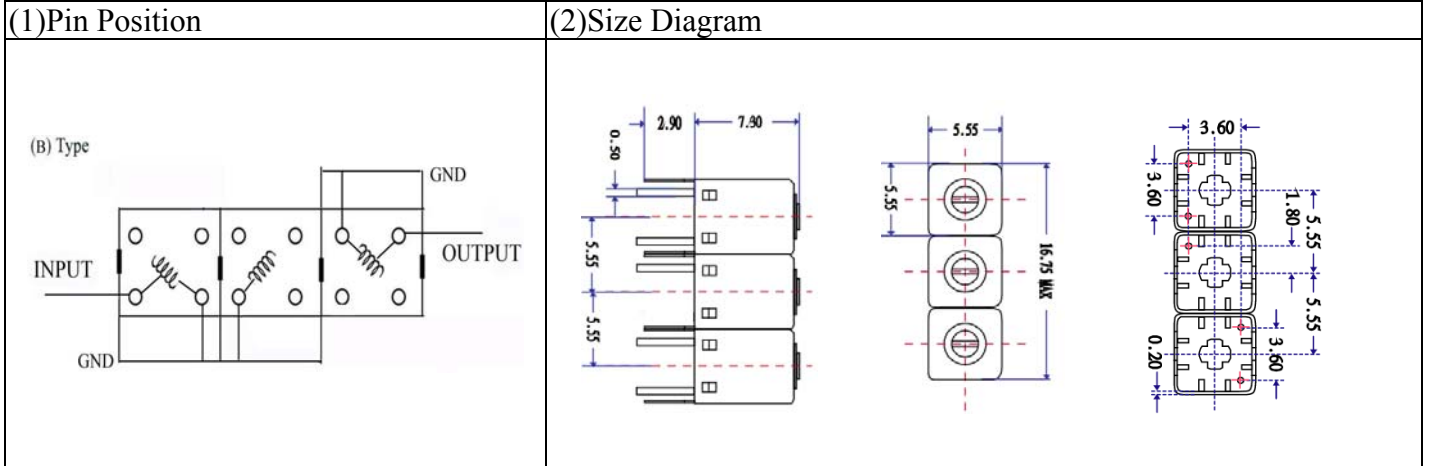


VHF UHF Helical Filter Specification Sheet

Customer Name		Temwell's Part No.	TTR3811B-1425M
Approval No. /dated	201505116CD	Temwell's Print Name.	3811B 1425M
Work Instruction No.	201505116CD	Date	Mar.29.2016



(3) Electric Character

Item	Specify	Performance	
Center Freq.(Fo) +/- 0.5 %	1425 MHz	1425 MHz	
Insertion Loss	Typ. 5.5 dB	3.23 dB	
-3 dB Bandwidth	Typ. 19 MHz	32.9 MHz	
Sensitivity (Attenuation)	Fo -100 MHz	Typ. 43 dBc	48 dBc
	Fo +100 MHz	Typ. 30 dBc	33 dBc
	Fo - ()MHz	Typ. dBc	dBc
	Fo +()MHz	Typ. dBc	dBc
Return Loss	Min. 12 dB	21.4 dB	
Ripple	< 1 dB	dB	
Impedance	In / Out : 50 Ω	In / Out : 50 Ω	

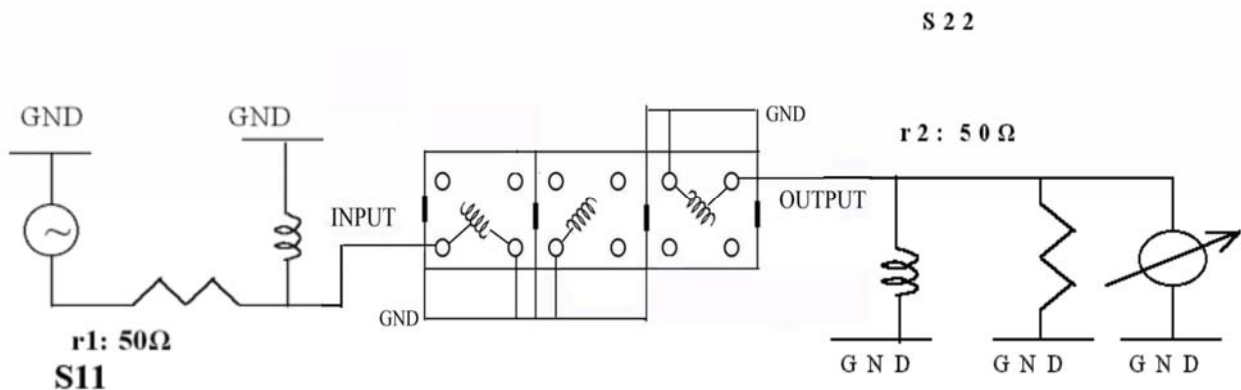
(4) Torque for Tuning Screw > 60gf • cm

(5) Temperature Condition:

Operating Temperature	0°C ~ +60°C
Storage Temperature	-20°C ~ +70°C

(6) Input Power > 0.5Watt

(7) Measuring Circuit: ※ Easy to match Impedance S11/S22 50Ω by parallel with about(-).
S 2 2



(Bottom View)

Approval C.Y.Chang	Supervisor C.K.Chang	Designer C.S.Chang	Aperture size 5R3S(3.8*4.65)(5.52) 5HW024RB3
-----------------------	-------------------------	-----------------------	--

TEMWELL CORPORATION

TEMWELL

Form10-5R3B Vision D

RP(C.S.C)

Performance-TTR3811B-1425M

201505116CD

Tr1 S11 Log Mag 5.000dB/ Ref 0.000dB [F2]
Tr2 S21 Log Mag 10.00dB/ Ref 0.000dB [F2]

