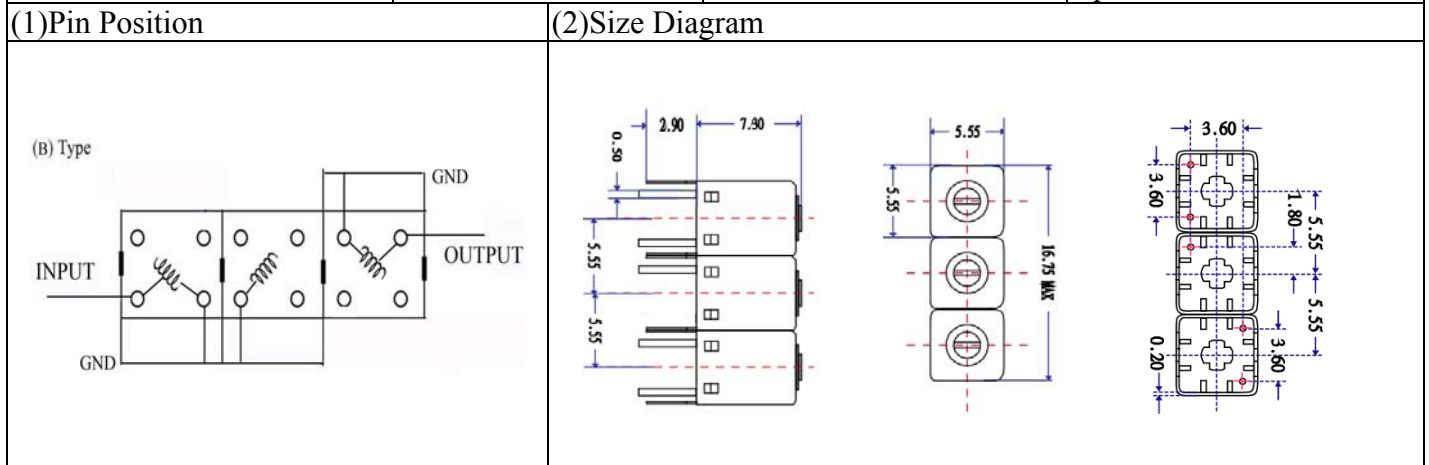


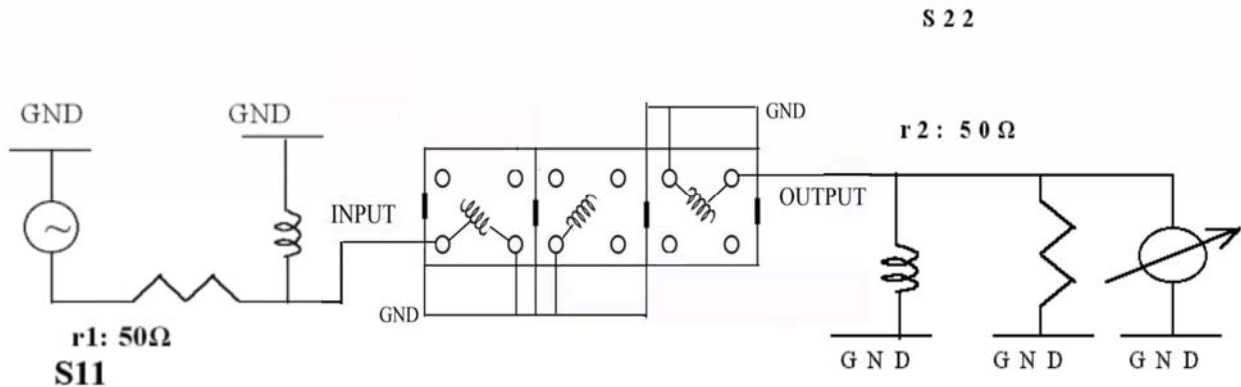
# VHF UHF Helical Filter Specification Sheet

Customer Name		Temwell's Part No.	TTR3815B-1525M
Approval No. /dated		Temwell's Print Name.	3815B 1525M
Work Instruction No.	201505118CD	Date	Apr.27.2016



(3) Electric Character					
Item		Specify		Performance	
Center Freq.(Fo) +/- 0.5 %		1525 MHz		1525 MHz	
Insertion Loss		Typ. 4.5 dB		2.86 dB	
-3 dB Bandwidth		Typ. 28 MHz		39.2 MHz	
Sensitivity (Attenuation)	Fo -100 MHz	Typ. 34 dBc		40 dBc	
	Fo +100 MHz	Typ. 26 dBc		29 dBc	
	Fo - ( )MHz	Typ. dBc		dBc	
	Fo +( )MHz	Typ. dBc		dBc	
Return Loss		Min. 12 dB		20.8 dB	
Ripple		< 1 dB		dB	
Impedance		In / Out : 50 Ω		In / Out : 50 Ω	
(4) Torque for Tuning Screw		> 60gf · cm			
(5) Temperature Condition:					
Operating Temperature		0°C ~ +60°C			
Storage Temperature		-20°C ~ +70°C			
(6) Input Power		> 0.5Watt			

(7) Measuring Circuit: ※ Easy to match Impedance S11/S22 50Ω by parallel with about(-).  
S 2 2



(Bottom View)

Approval	Supervisor	Designer	Aperture size
C.Y.Chang	C.K.Chang	C.S.Chang	5R3S(3.8*4.65)(5.52) 5HW024RB3

TEMWELL CORPORATION

TEMWELL

Form10-5R3B Vision D

RP(C.S.C)

# Performance-TTR3815B-1525M

## 201505118CD

Tr1 S11 Log Mag 5.000dB/ Ref 0.000dB [F2]  
Tr2 S21 Log Mag 10.00dB/ Ref 0.000dB [F2]

