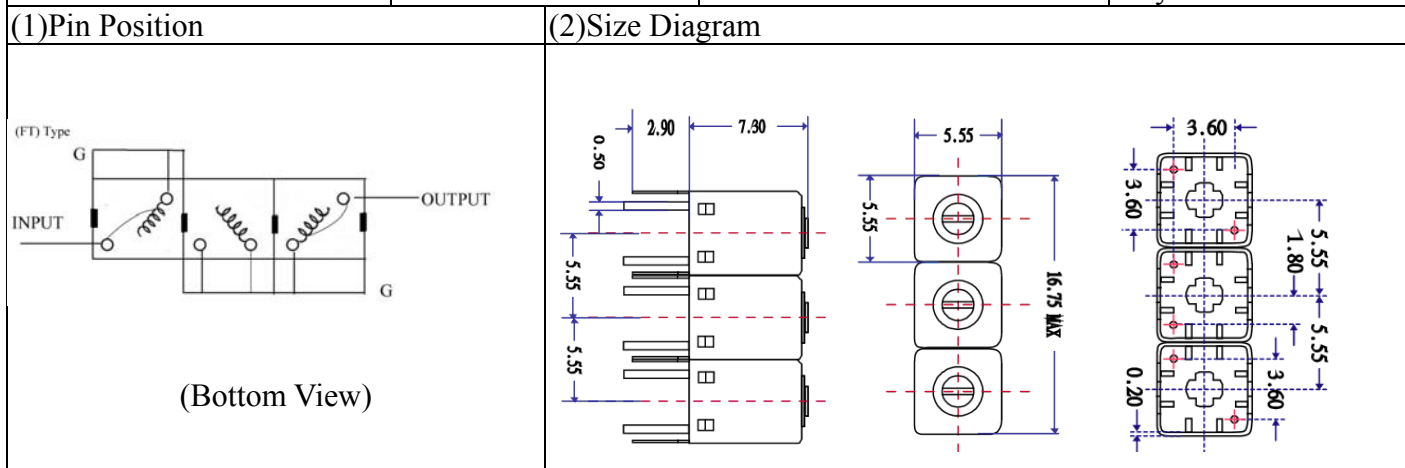


VHF UHF Helical Filter Specification Sheet

Customer Name		Temwell's Part No.	TTR3875FT-383.5M
Approval No. /dated	201505119CD	Temwell's Print Name	3875FT 383.5M
Work Instruction No.	201505119CD	Date	May.06.2016



(3) Electric Characteristic

Item	Specify	Performance
Center Freq.(Fo) +/- 0.5 %	383.5 MHz	383.5 MHz
Insertion Loss	Typ. 3.0 dB	1.76 dB
-3 dB Bandwidth	Typ. 24 MHz	28.2 MHz
Sensitivity (Attenuation)	Fo -50 MHz	Typ. 40 dBc
	Fo +50 MHz	Typ. 26 dBc
	Fo - ()MHz	Typ. dBc
	Fo +()MHz	Typ. dBc
Return Loss	Min. 12 dB	20.7 dB
Ripple	< 1 dB	
Impedance	In / Out : 50 Ω	In / Out : 50 Ω
(4) Torque for Tuning Screw	> 60gf • cm	

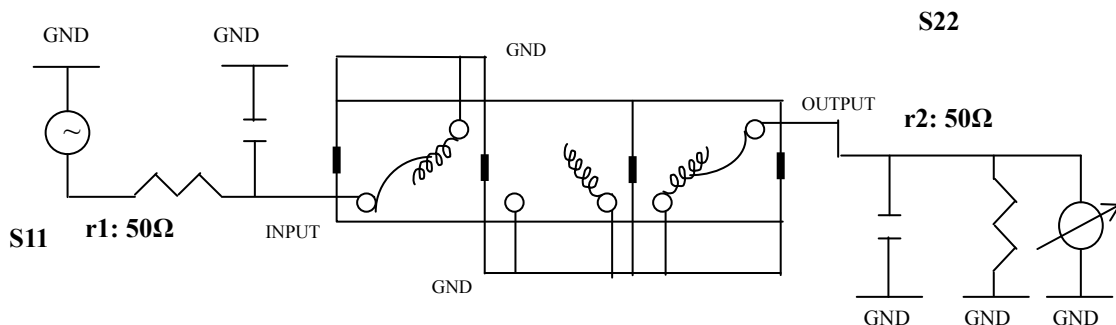
(5) Temperature Condition:

Operating Temperature	0°C ~ +60°C
Storage Temperature	-20°C ~ +70°C

(6) Input Power

> 0.5Watt

(7) Measuring Circuit: ※Easy to match Impedance S11/S22 50Ω by parallel with about(- -).



(Bottom View)

Approval	Supervisor	Designer	Aperture size
C.Y.Chang	C.K.Chang	C.S.Chang	5R3S(3.8*4.2)(5.25) 5HW024LB3.6

TEMWELL CORPORATION

TEMWELL

Form10-5R3FT Vision D

RP(C.S.C)

Performance-TTR3875FT-383.5M

201505119CD

Tr1 S11 Log Mag 5.000dB/ Ref 0.000dB [F2]
Tr2 S21 Log Mag 10.00dB/ Ref 0.000dB [F2]

