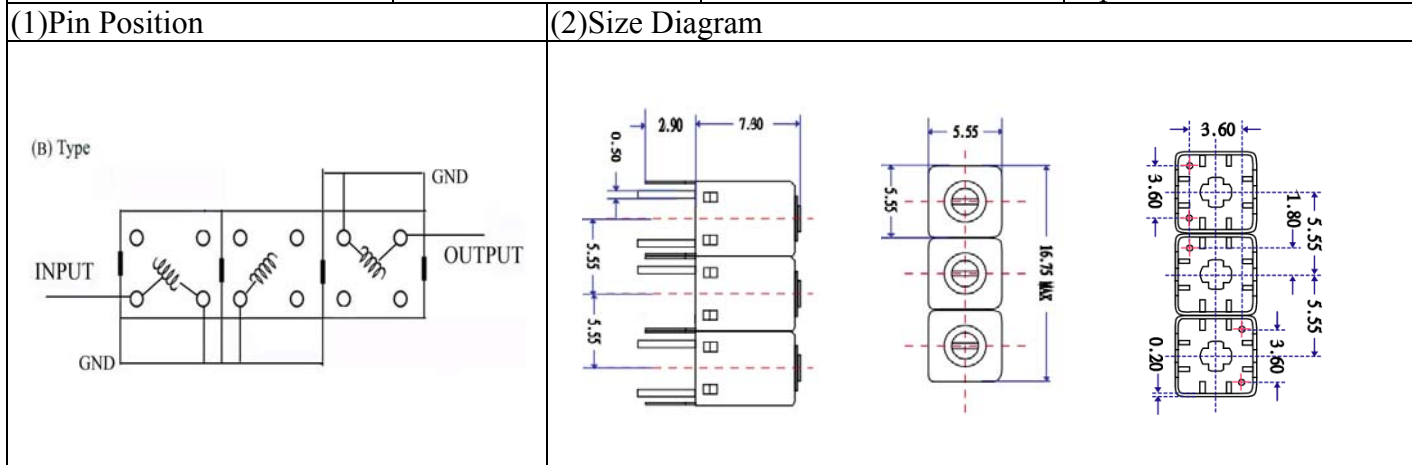


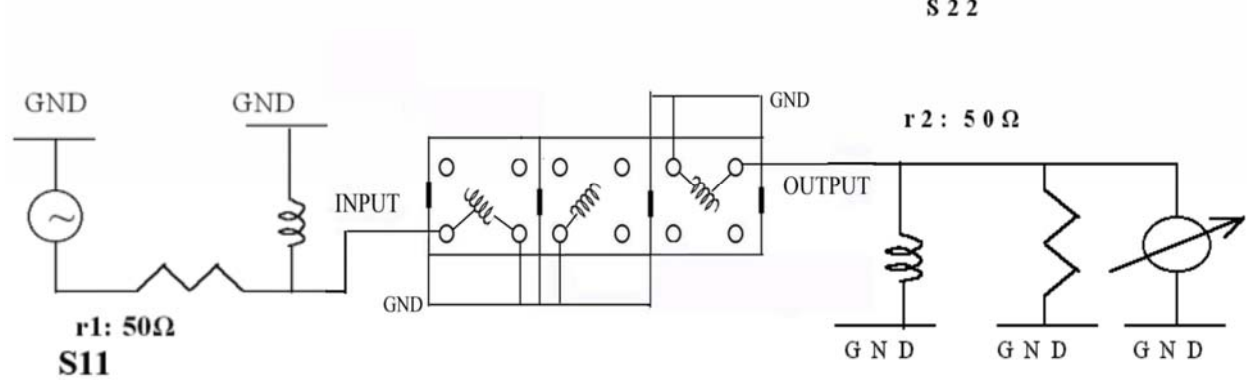
VHF UHF Helical Filter Specification Sheet

Customer Name		Temwell's Part No.	TTR3944B-1503.4M
Approval No. /dated		Temwell's Print Name.	3944B 1503.4M
Work Instruction No.	201608081CD	Date	Sep.19.2016



(3) Electric Character			
Item	Specify	Performance	
Center Freq.(Fo) +/- 0.5 %	1503.4 MHz	1503.4	MHz
Insertion Loss	Typ. 4.0 dB	3.09	dB
-3 dB Bandwidth	Typ. 28 MHz	37.0	MHz
Sensitivity (Attenuation)	Fo -100 MHz	Typ. 36	dBc
	Fo +100 MHz	Typ. 26	dBc
	Fo - ()MHz	Typ.	dBc
	Fo +()MHz	Typ.	dBc
Return Loss	Min. 12 dB	20.3	dB
Ripple	< 1 dB		dB
Impedance	In / Out : 50 Ω	In / Out : 50 Ω	
(4) Torque for Tuning Screw		> 60gf • cm	
(5) Temperature Condition:			
Operating Temperature		0°C ~ +60°C	
Storage Temperature		-20°C ~ +70°C	
(6) Input Power		> 0.5Watt	

(7) Measuring Circuit: ※ Easy to match Impedance S11/S22 50Ω by parallel with about(-).
S 2 2



(Bottom View)

Approval C.Y.Chang	Supervisor C.K.Chang	Designer W.W.Wang	Aperture size 5R3S(3.8*4.65)(4.69) 5HW024RB3
-----------------------	-------------------------	----------------------	--

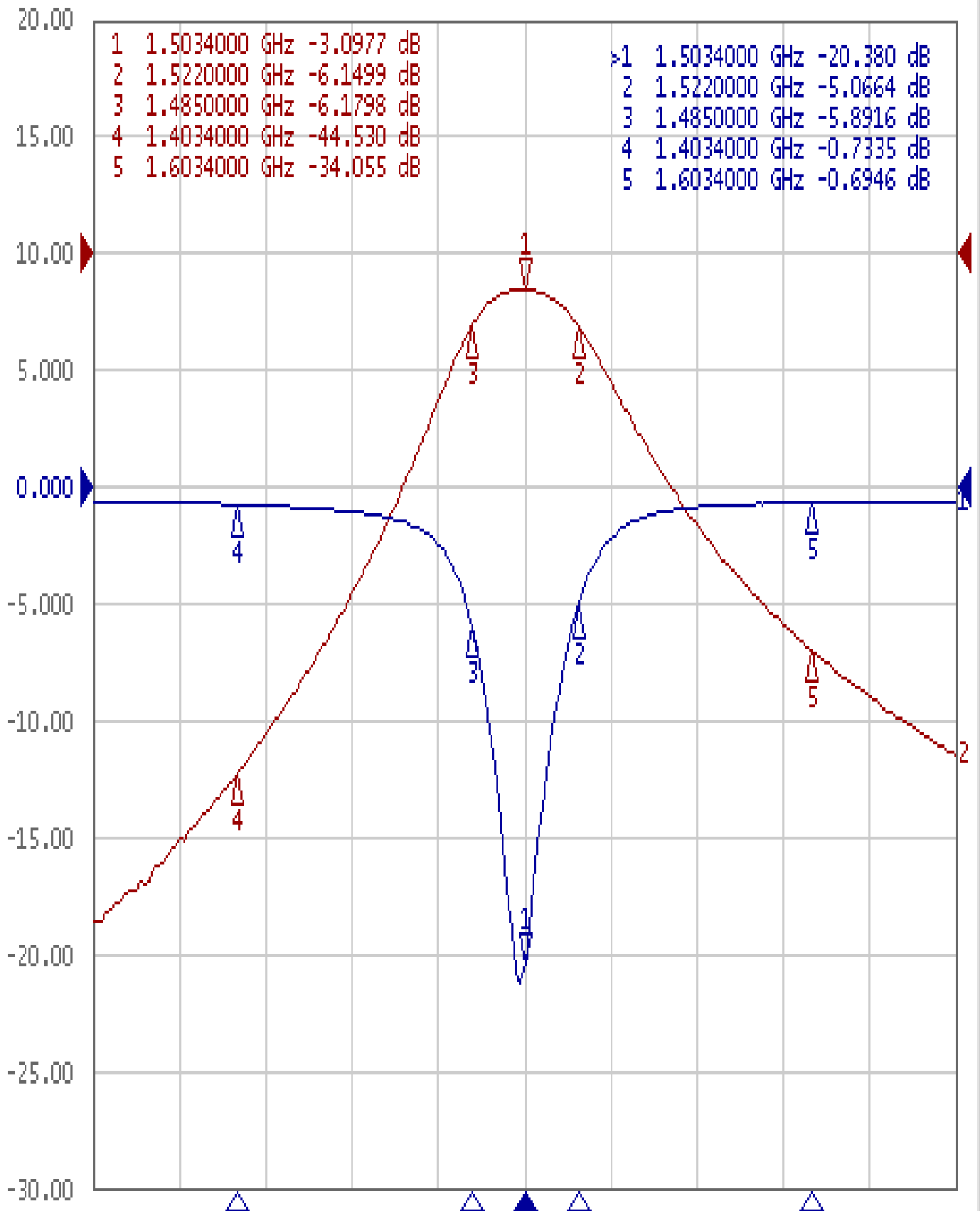
TEMWELL CORPORATION

Performance-TTR3944B-1503.4M

201608081CD

Tr1 S11 Log Mag 5.000dB/ Ref 0.000dB [F2]

Tr2 S21 Log Mag 10.00dB/ Ref 0.000dB [F2]



1 Center 1.5034 GHz

IFBW 70 kHz

Span 300 MHz

Cor !