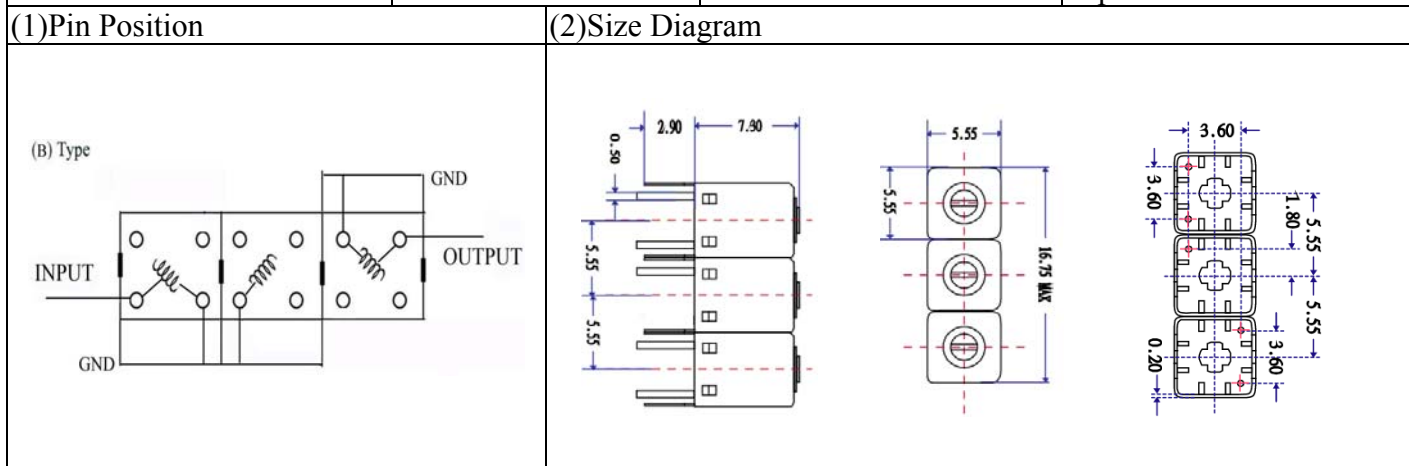


VHF UHF Helical Filter Specification Sheet

Customer Name		Temwell's Part No.	TTR3945B-1479.4M
Approval No. /dated		Temwell's Print Name.	3945B 1479.4M
Work Instruction No.	201609028CD	Date	Sep.20.2016



(3) Electric Character

Item	Specify	Performance	
Center Freq.(Fo) +/- 0.5 %	1479.4 MHz	1479.4 MHz	
Insertion Loss	Typ. 4.5 dB	3.04 dB	
-3 dB Bandwidth	Typ. 28 MHz	37.2 MHz	
Sensitivity (Attenuation)	Fo -100 MHz	Typ. 38 dBc	43 dBc
	Fo +100 MHz	Typ. 27 dBc	32 dBc
	Fo - ()MHz	Typ. dBc	dBc
	Fo + ()MHz	Typ. dBc	dBc
Return Loss	Min. 12 dB	28.2 dB	
Ripple	< 1 dB	dB	
Impedance	In / Out : 50 Ω	In / Out : 50 Ω	

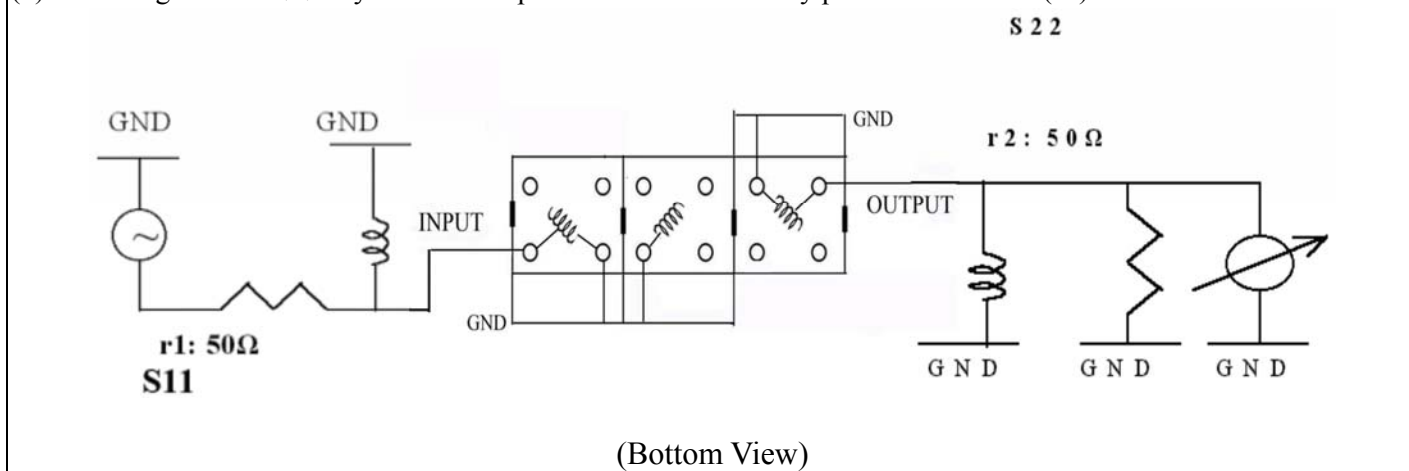
(4) Torque for Tuning Screw > 60gf • cm

(5) Temperature Condition:

Operating Temperature	0°C ~ +60°C
Storage Temperature	-20°C ~ +70°C

(6) Input Power > 0.5Watt

(7) Measuring Circuit: ※Easy to match Impedance S11/S22 50Ω by parallel with about(- -).



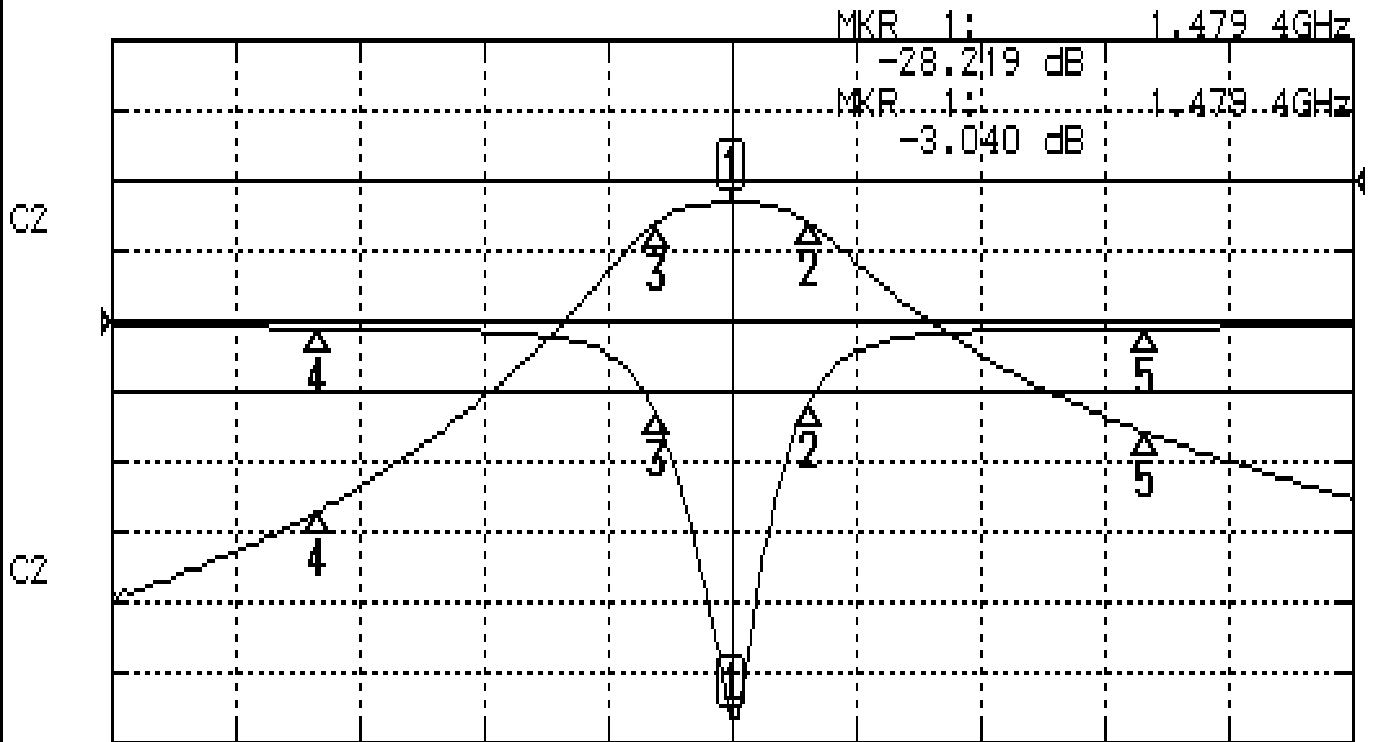
Approval	Supervisor	Designer	Aperture size
C.Y.Chang	C.K.Chang	C.H.Yeh	5R3S(3.8*4.65)(4.71) 5HW024RB3

TEMWELL CORPORATION

Performance-TTR3945B-1479.4M

201609028CD

CH1 S11 LOG MAG REF 0.000 dB 5.000 dB/
 CH2 S21 LOG MAG REF 0.000 dB 10.000 dB/



MKR 1: 1.479 4GHz
 -28.219 dB
 MKR 1: 1.479 4GHz
 -3.040 dB

CENTER 1.479 4GHz

[10.00 dBm]

SPAN 300MHz

CH1 MARKER LIST

1:	1.479	400GHz	-28.223	dB
2:	1.498	150GHz	-5.769	dB
3:	1.460	900GHz	-6.489	dB
4:	1.379	400GHz	-0.484	dB
5:	1.579	400GHz	-0.495	dB

CH2 MARKER LIST

1:	1.479	400GHz	-3.040	dB
2:	1.498	150GHz	-6.089	dB
3:	1.460	900GHz	-6.095	dB
4:	1.379	400GHz	-46.995	dB
5:	1.579	400GHz	-35.858	dB