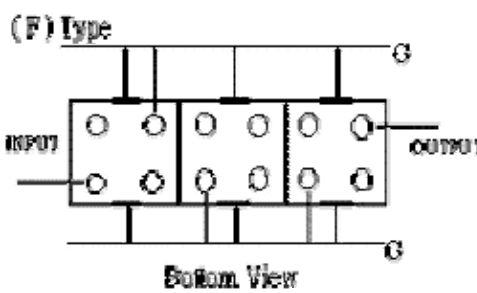
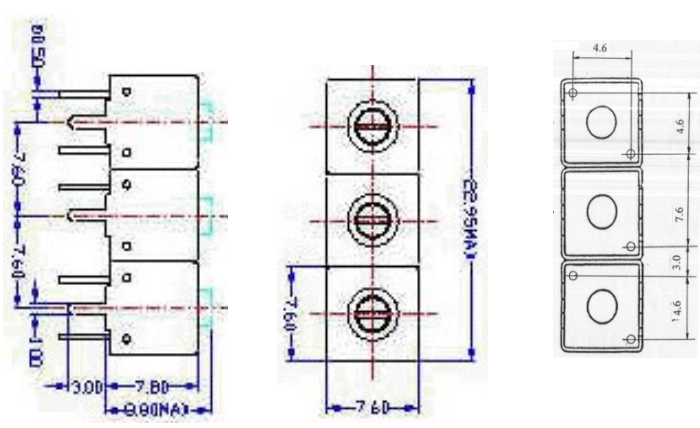


# VHF UHF Helical Filter Specification Sheet

Customer Name		Temwell's Part No.	TTS3001F-200M
Approval No. /dated	20102077DC	Acceptable Specify Fo. Range	196~220MHz
Work Instruction No.	20102077DC	Date	2001.05.14

<p>(1) Pin Position</p>  <p style="text-align: center;">Bottom View</p>	<p>(2) Size Diagram</p> 
--	--

(3) Electric Character

Item	Specify	Performance	
Center Freq.(Fo ) +/- 0.5 %	200 MHz	200 MHz	
Tunable Range	200±4 MHz	200±4 MHz	
Insertion Loss	Typ. 8.0 dB	6.9 dB	
-3 dB Bandwidth	Typ. 6.0 MHz	7.0 MHz	
Sensitivity (Attenuation)	Fo - 50 MHz	Typ. 48 dBc	51 dBc
	Fo + 50 MHz	Typ. 49 dBc	52 dBc
	Fo - ( )MHz	Typ. dBc	dBc
	Fo +( )MHz	Typ. dBc	dBc
Return Loss	Min. 12 dB	17.2 dB	
Ripple	< 1 dB	dB	
Impedance	In / Out : 50 Ω	In / Out : 50 Ω	

(4) Torque for Tuning Screw > 100gf • cm

(5) Temperature Condition:

Operating Temperature	0°C ~ +60°C
Storage Temperature	-20°C ~ +70°C

(6) Input Power > 1Watt

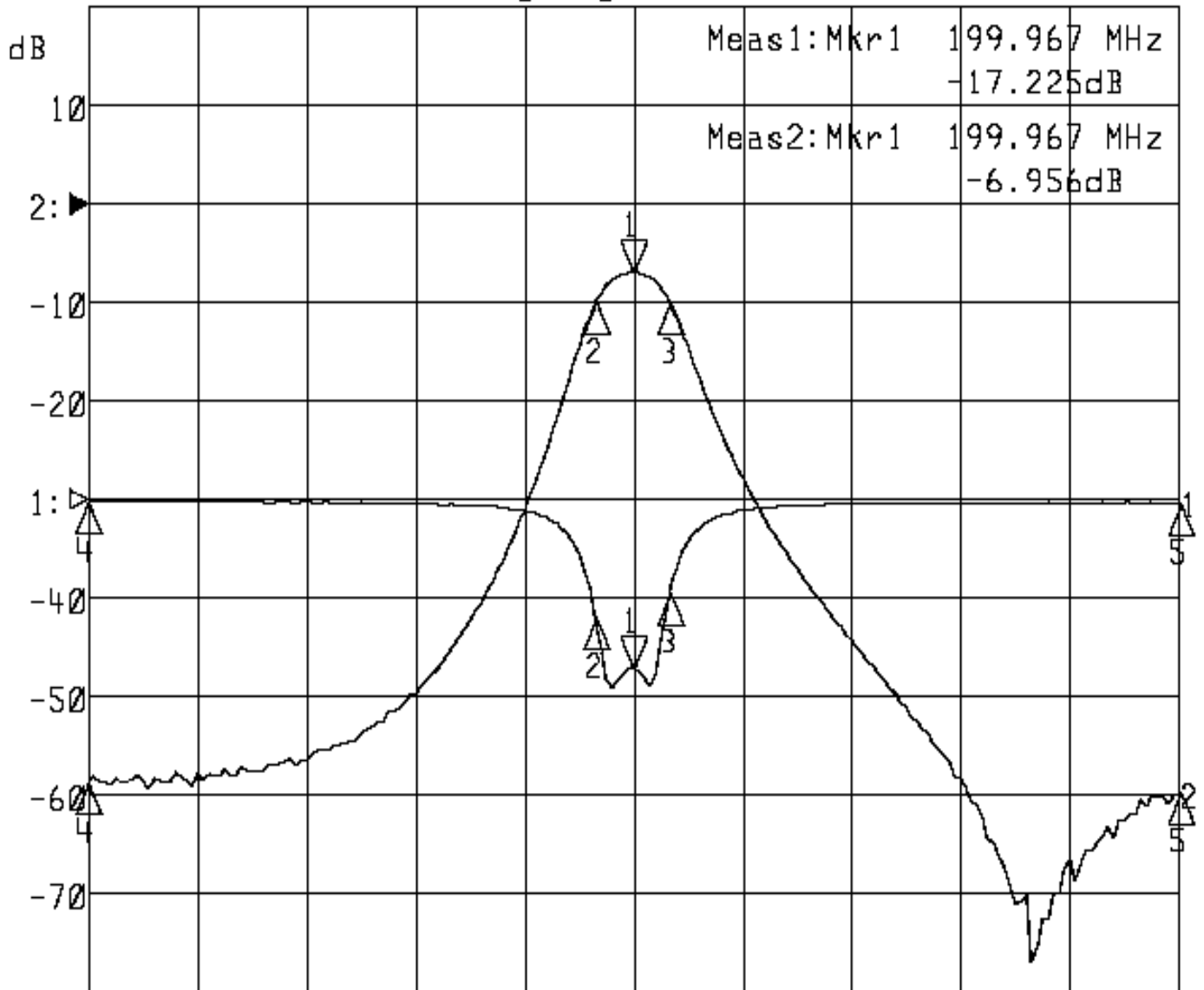
Approval	Supervisor	Designer	Aperture size
C.Y.Chang	C.S.Chang	C.S.Chang	7S3S(4*3.5) 7S00LB6

TEMWELL CORPORATION

# Performance-TTS3001F-200M

## 20102077DC

▶1:S11 Refl Port1 Log Mag 10.0 dB/ Ref 0.00 dB C  
▶2:S21 Fwd Trans Log Mag 10.0 dB/ Ref 0.00 dB C



Center 200.000 MHz

Span 100.000 MHz

1: Mkr (MHz)	dB	2: Mkr (MHz)	dB
1> 199.9667	-17.225	1> 199.9667	-6.956
2: 196.5333	-12.117	2: 196.5333	-9.886
3: 203.3000	-9.512	3: 203.3000	-9.991
4: 150.0000	-0.244	4: 150.0000	-58.625
5: 250.0000	-0.399	5: 250.0000	-59.836