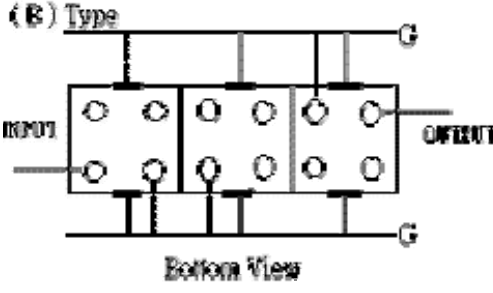
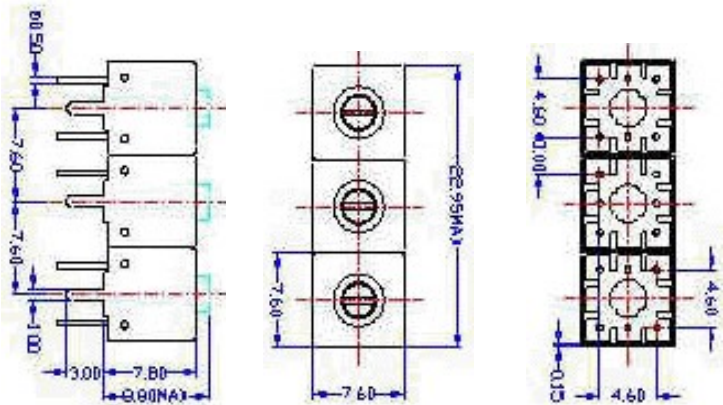


VHF UHF Helical Filter Specification Sheet

Customer Name		Temwell's Part No.	TTS3002B-200M
Approval No. /dated	20102078DC	Acceptable Specify Fo. Range	196~220MHz
Work Instruction No.	20102078DC	Date	2001.03.01

(1)Pin Position	(2)Size Diagram
 <p>(B) Type Bottom View</p>	

(3)Electric Character

Item	Specify	Performance	
Center Freq.(Fo) +/- 0.5 %	200 MHz	200 MHz	
Tunable Range	200±4 MHz	200±4 MHz	
Insertion Loss	Typ. 5.0 dB	3.8 dB	
-3 dB Bandwidth	Typ. 12 MHz	13 MHz	
Sensitivity (Attenuation)	Fo - 50 MHz	Typ. 51 dBc	54 dBc
	Fo + 50 MHz	Typ. 60 dBc	63 dBc
	Fo - ()MHz	Typ. dBc	dBc
	Fo +()MHz	Typ. dBc	dBc
Return Loss	Min. 12 dB	15.0 dB	
Ripple	< 1 dB	dB	
Impedance	In / Out : 50 Ω	In / Out : 50 Ω	
(4)Torque for Tuning Screw	> 100gf · cm		

(5)Temperature Condition:

Operating Temperature	0°C ~ +60°C
Storage Temperature	-20°C ~ +70°C

(6)Input Power

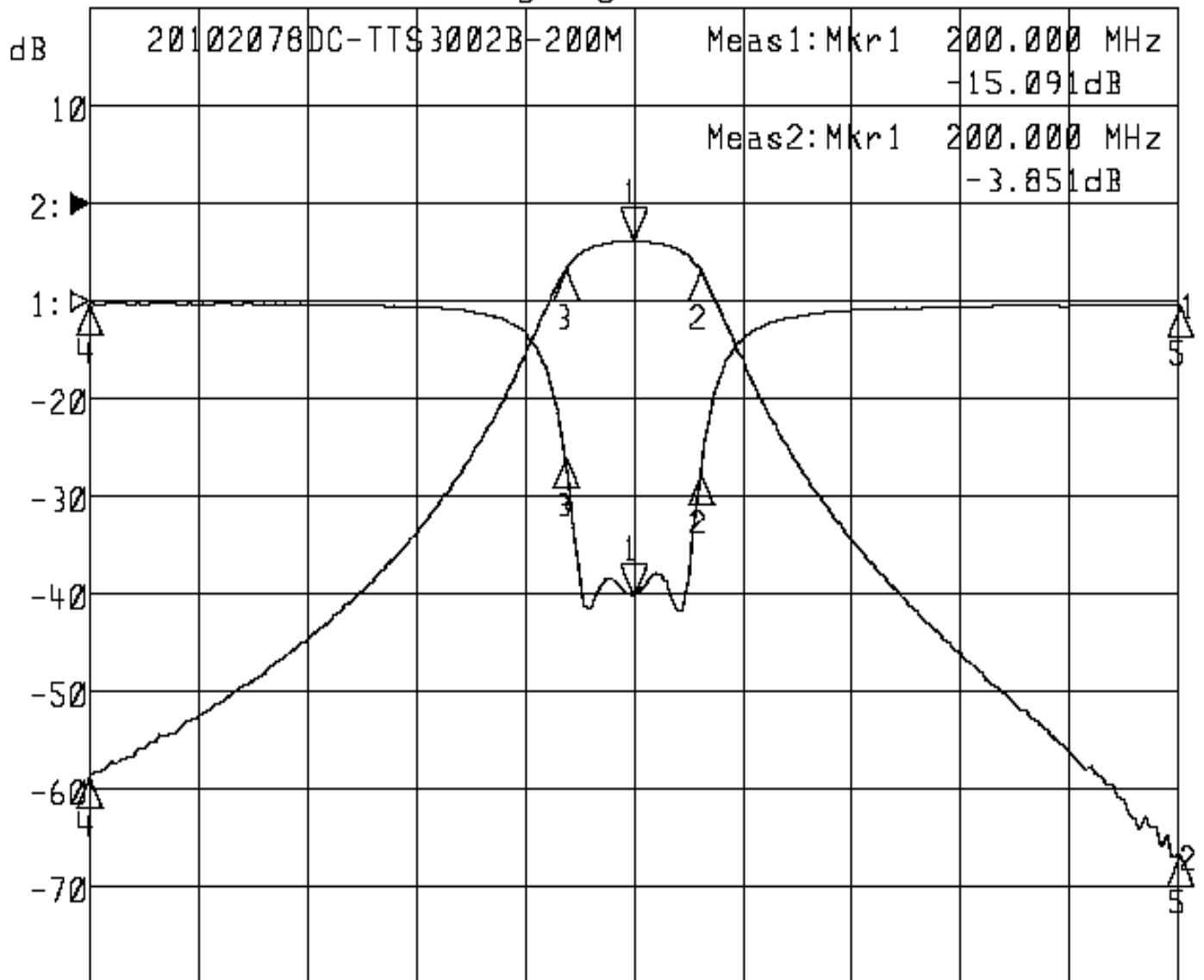
		> 1Watt	
Approval	Supervisor	Designer	Aperture size
C.Y.Chang	C.S.Chang	C.S.Chang	7S3S (4*4.5) 7S00LB5.5

TEMWELL CORPORATION

Performance-TTS3002B-200M

20102078DC

▷1:S11 Refl Port1 Log Mag 5.0 dB/ Ref 0.00 dB C
▶2:S21 Fwd Trans Log Mag 10.0 dB/ Ref 0.00 dB C



Center 200.000 MHz

Span 100.000 MHz

1:Mkr (MHz)	dB	2:Mkr (MHz)	dB
1> 200.0000	-15.091	1> 200.0000	-3.851
2: 206.1000	-8.866	2: 206.1000	-6.807
3: 193.7333	-8.046	3: 193.7333	-6.850
4: 150.0000	-0.133	4: 150.0000	-58.692
5: 250.0000	-0.212	5: 250.0000	-66.773