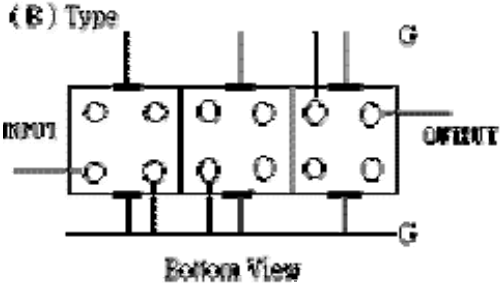
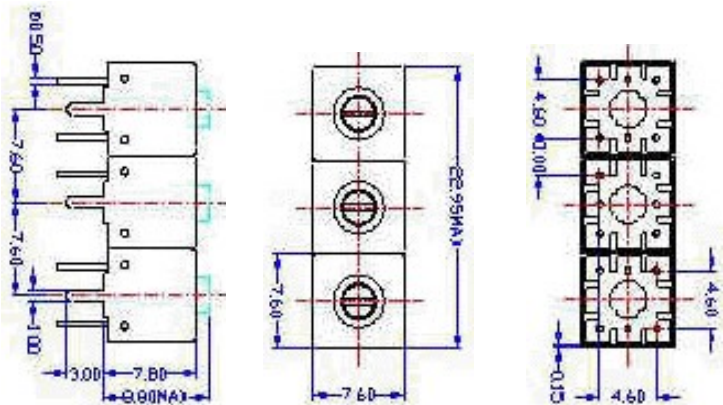


VHF UHF Helical Filter Specification Sheet

Customer Name		Temwell's Part No.	TTS3004B-200M
Approval No. /dated	20102080DC	Acceptable Specify Fo. Range	196~220MHz
Work Instruction No.	20102080DC	Date	2001.03.02

(1) Pin Position	(2) Size Diagram
 <p>(B) Type Bottom View</p>	

(3) Electric Character

Item	Specify	Performance	
Center Freq.(Fo) +/- 0.5 %	200 MHz	200 MHz	
Tunable Range	200±4 MHz	200±4 MHz	
Insertion Loss	Typ. 5.0 dB	3.9 dB	
-3 dB Bandwidth	Typ. 19 MHz	20 MHz	
Sensitivity (Attenuation)	Fo - 50 MHz	Typ. 41 dBc	44 dBc
	Fo + 50 MHz	Typ. 37 dBc	40 dBc
	Fo - ()MHz	Typ. dBc	dBc
	Fo +()MHz	Typ. dBc	dBc
Return Loss	Min. 12 dB	18.4 dB	
Ripple	< 1 dB	dB	
Impedance	In / Out : 50 Ω	In / Out : 50 Ω	
(4) Torque for Tuning Screw	> 100gf · cm		

(5) Temperature Condition:

Operating Temperature	0°C ~ +60°C
Storage Temperature	-20°C ~ +70°C

(6) Input Power

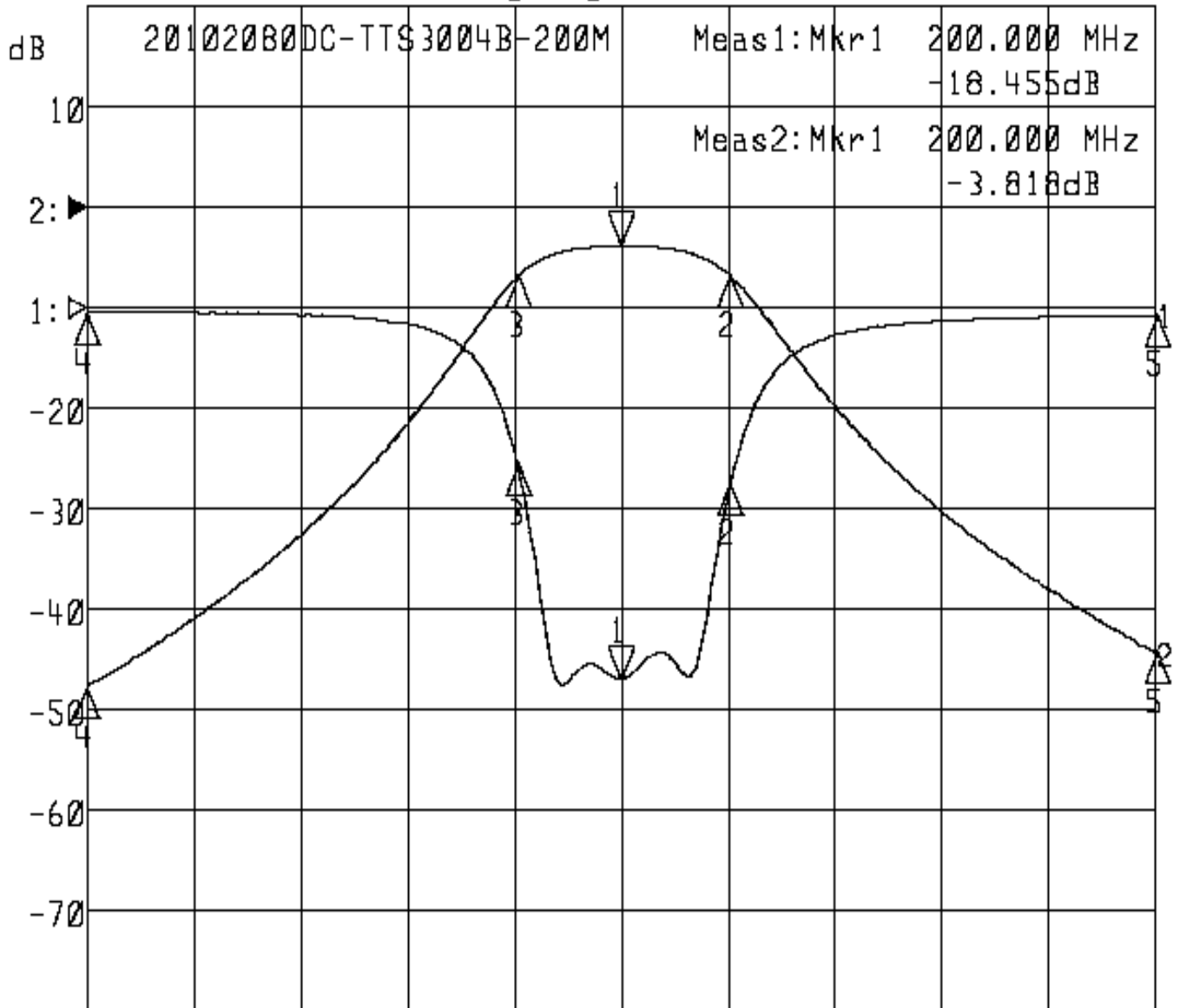
		> 1Watt	
Approval	Supervisor	Designer	Aperture size
C.Y.Chang	C.S.Chang	C.S.Chang	7S3S (4*4.5) 7S00LB5.5

TEMWELL CORPORATION

Performance-TTS3004B-200M

20102080DC

▷1:S11 Refl Port1 Log Mag 5.0 dB/ Ref 0.00 dB C
 ▼2:S21 Fwd Trans Log Mag 10.0 dB/ Ref 0.00 dB C



Center 200.000 MHz

Span 100.000 MHz

1:Mkr (MHz)	dB	2:Mkr (MHz)	dB
1> 200.0000	-18.455	1> 200.0000	-3.818
2: 210.2667	-8.719	2: 210.2667	-6.848
3: 190.3333	-7.810	3: 190.3333	-6.845
4: 150.0000	-0.188	4: 150.0000	-47.719
5: 250.0000	-0.373	5: 250.0000	-44.281