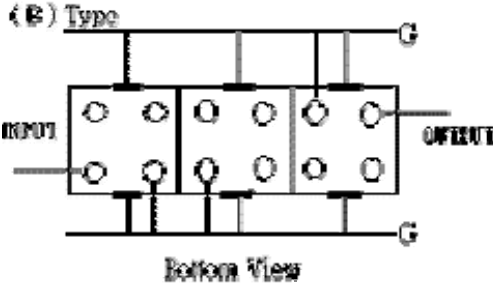
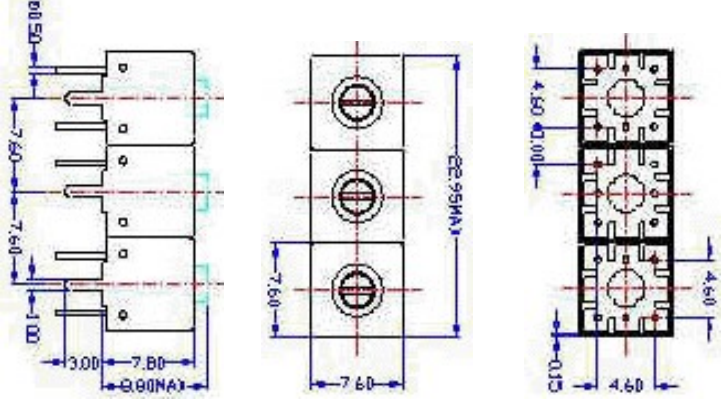


# VHF UHF Helical Filter Specification Sheet

Customer Name		Temwell's Part No.	TTS3005B-200M
Approval No. /dated	20103066DC	Acceptable Specify Fo. Range	196~220MHz
Work Instruction No.	20103066DC	Date	2001.04.13

(1) Pin Position	(2) Size Diagram
	

(3) Electric Character			
Item		Specify	Performance
Center Freq.(Fo) +/- 0.5 %		200 MHz	200 MHz
Tunable Range		200±4 MHz	200±4 MHz
Insertion Loss		Typ. 5.5 dB	4.6 dB
-3 dB Bandwidth		Typ. 17 MHz	18 MHz
Sensitivity (Attenuation)	Fo - 50 MHz	Typ. 45 dBc	48 dBc
	Fo + 50 MHz	Typ. 39 dBc	42 dBc
	Fo - ( )MHz	Typ. dBc	dBc
	Fo +( )MHz	Typ. dBc	dBc
Return Loss		Min. 12 dB	34.3 dB
Ripple		< 1 dB	dB
Impedance		In / Out : 50 Ω	In / Out : 50 Ω
(4) Torque for Tuning Screw		> 100gf · cm	
(5) Temperature Condition:			
Operating Temperature		0°C ~ +60°C	
Storage Temperature		-20°C ~ +70°C	
(6) Input Power		> 1Watt	
Approval	Supervisor	Designer	Aperture size
C.Y.Chang	C.S.Chang	C.S.Chang	7S3S(4*5.2) 7S00LB5.5

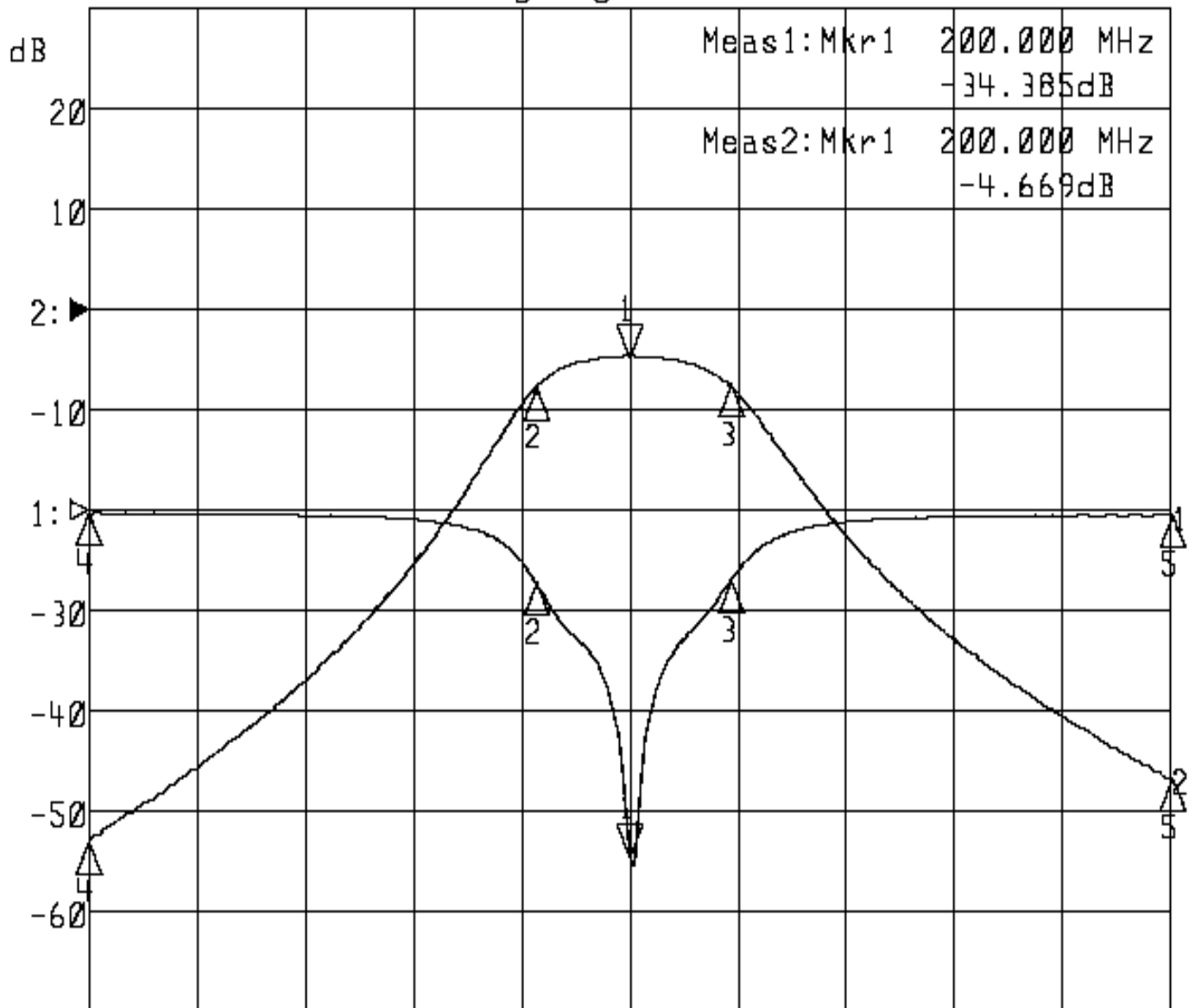
TEMWELL CORPORATION

# Performance-TTS3005B-200M

## 20103066DC

▶1: S11 Refl Port1 Log Mag 10.0 dB/ Ref 0.00 dB C

▶2: S21 Fwd Trans Log Mag 10.0 dB/ Ref 0.00 dB C



Center 200.000 MHz

Span 100.000 MHz

1: Mkr (MHz)	dB	2: Mkr (MHz)	dB
1> 200.0000	-34.385	1> 200.0000	-4.669
2: 191.4000	-7.290	2: 191.4000	-7.672
3: 209.3333	-7.031	3: 209.3333	-7.618
4: 150.0000	-0.342	4: 150.0000	-52.956
5: 250.0000	-0.559	5: 250.0000	-46.808