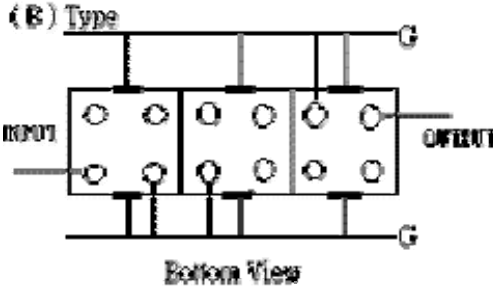
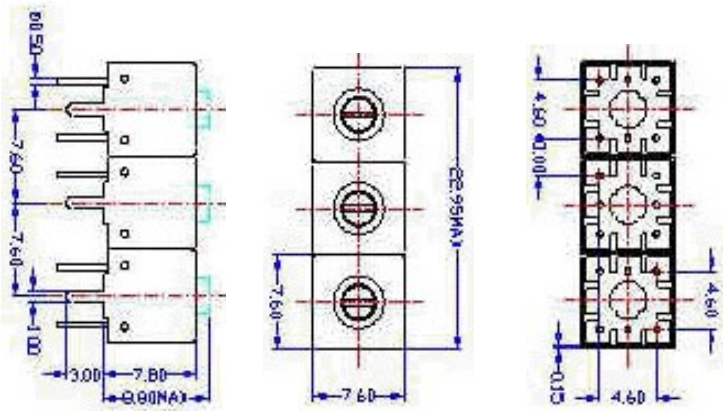


# VHF UHF Helical Filter Specification Sheet

Customer Name		Temwell's Part No.	TTS3014B-230M
Approval No. /dated	20103067DC	Acceptable Specify Fo. Range	221~245MHz
Work Instruction No.	20103067DC	Date	2001.04.19

(1) Pin Position	(2) Size Diagram
 <p>(B) Type Bottom View</p>	

(3) Electric Character

Item	Specify	Performance	
Center Freq.(Fo) +/- 0.5 %	230 MHz	230 MHz	
Tunable Range	230±4 MHz	230±4 MHz	
Insertion Loss	Typ. 4.0 dB	3.0 dB	
-3 dB Bandwidth	Typ. 19 MHz	21 MHz	
Sensitivity (Attenuation)	Fo - 50 MHz	Typ. 39 dBc	42 dBc
	Fo + 50 MHz	Typ. 32 dBc	35 dBc
	Fo - ( )MHz	Typ. dBc	dBc
	Fo +( )MHz	Typ. dBc	dBc
Return Loss	Min. 12 dB	19.5 dB	
Ripple	< 1 dB	dB	
Impedance	In / Out : 50 Ω	In / Out : 50 Ω	

(4) Torque for Tuning Screw > 100gf · cm

(5) Temperature Condition:

Operating Temperature	0°C ~ +60°C
Storage Temperature	-20°C ~ +70°C

(6) Input Power > 1Watt

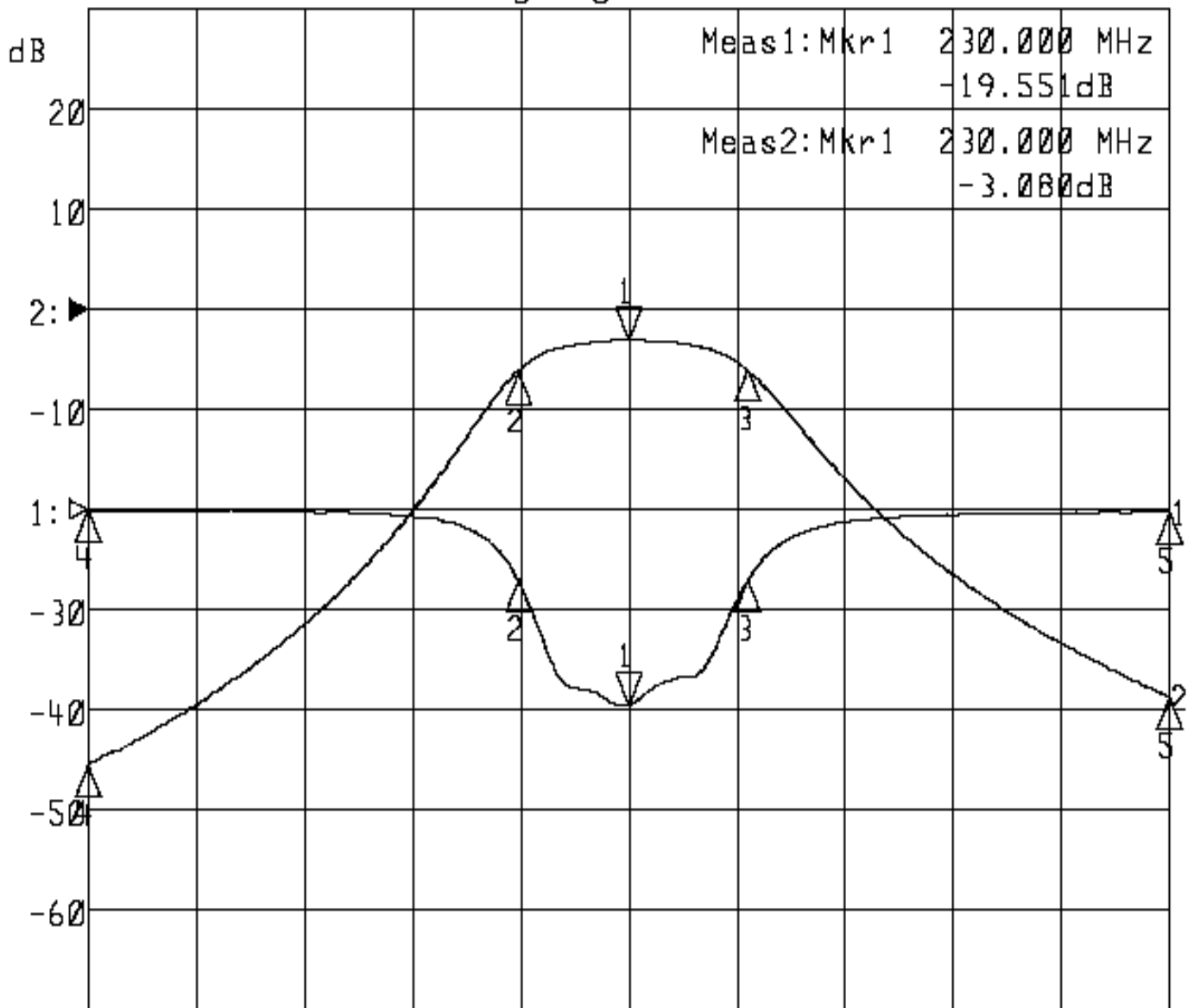
Approval	Supervisor	Designer	Aperture size
C.Y.Chang	C.S.Chang	C.S.Chang	7S3S (4*5.2) 7S00LB5.5

TEMWELL CORPORATION

# Performance-TTS3014B-230M

## 20103067DC

▷1:S11 Refl Port1 Log Mag 10.0 dB/ Ref 0.00 dB C  
▶2:S21 Fwd Trans Log Mag 10.0 dB/ Ref 0.00 dB C



Center 230.000 MHz

Span 100.000 MHz

1:Mkr (MHz)	dB	2:Mkr (MHz)	dB
1> 230.0000	-19.551	1> 230.0000	-3.080
2: 219.7333	-6.913	2: 219.7333	-6.160
3: 241.0333	-7.039	3: 241.0333	-6.059
4: 180.0000	-0.075	4: 180.0000	-45.499
5: 279.9333	-0.234	5: 279.9333	-38.664