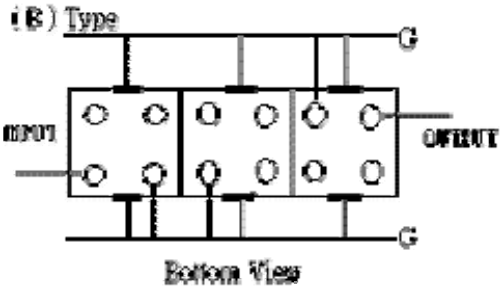
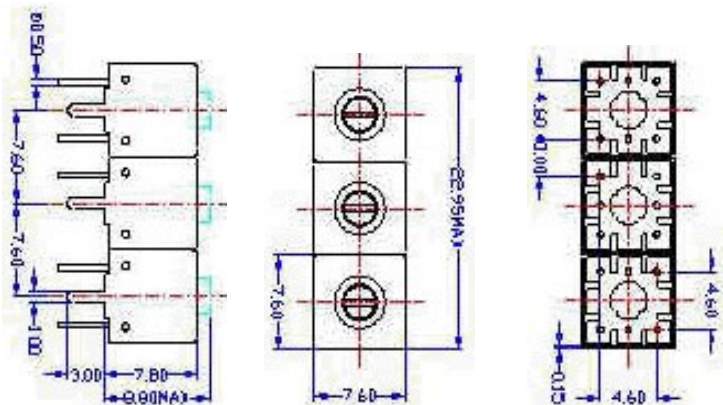


# VHF UHF Helical Filter Specification Sheet

Customer Name		Temwell's Part No.	TTS3022B-250M
Approval No. /dated	20102015DC	Acceptable Specify Fo. Range	246~275MHz
Work Instruction No.	20102015DC	Date	2001.02.27

(1) Pin Position	(2) Size Diagram
 <p>(B) Type</p> <p>Bottom View</p>	

### (3) Electric Character

Item	Specify	Performance	
Center Freq.(Fo) +/- 0.5 %	250 MHz	250 MHz	
Tunable Range	250±4 MHz	250±4 MHz	
Insertion Loss	Typ. 5.0 dB	4.0 dB	
-3 dB Bandwidth	Typ. 15 MHz	17 MHz	
Sensitivity (Attenuation)	Fo - 50 MHz	Typ. 40 dBc	43 dBc
	Fo + 50 MHz	Typ. 44 dBc	47 dBc
	Fo - ( )MHz	Typ. dBc	dBc
	Fo +( )MHz	Typ. dBc	dBc
Return Loss	Min. 12 dB	20.4 dB	
Ripple	< 1 dB	dB	
Impedance	In / Out : 50 Ω	In / Out : 50 Ω	

### (4) Torque for Tuning Screw

> 100gf · cm

### (5) Temperature Condition:

Operating Temperature 0°C ~ +60°C

Storage Temperature -20°C ~ +70°C

### (6) Input Power

> 1Watt

Approval	Supervisor	Designer	Aperture size
C.Y.Chang	C.S.Chang	C.S.Chang	7S3S (4*4.5) 7S00LB5.5

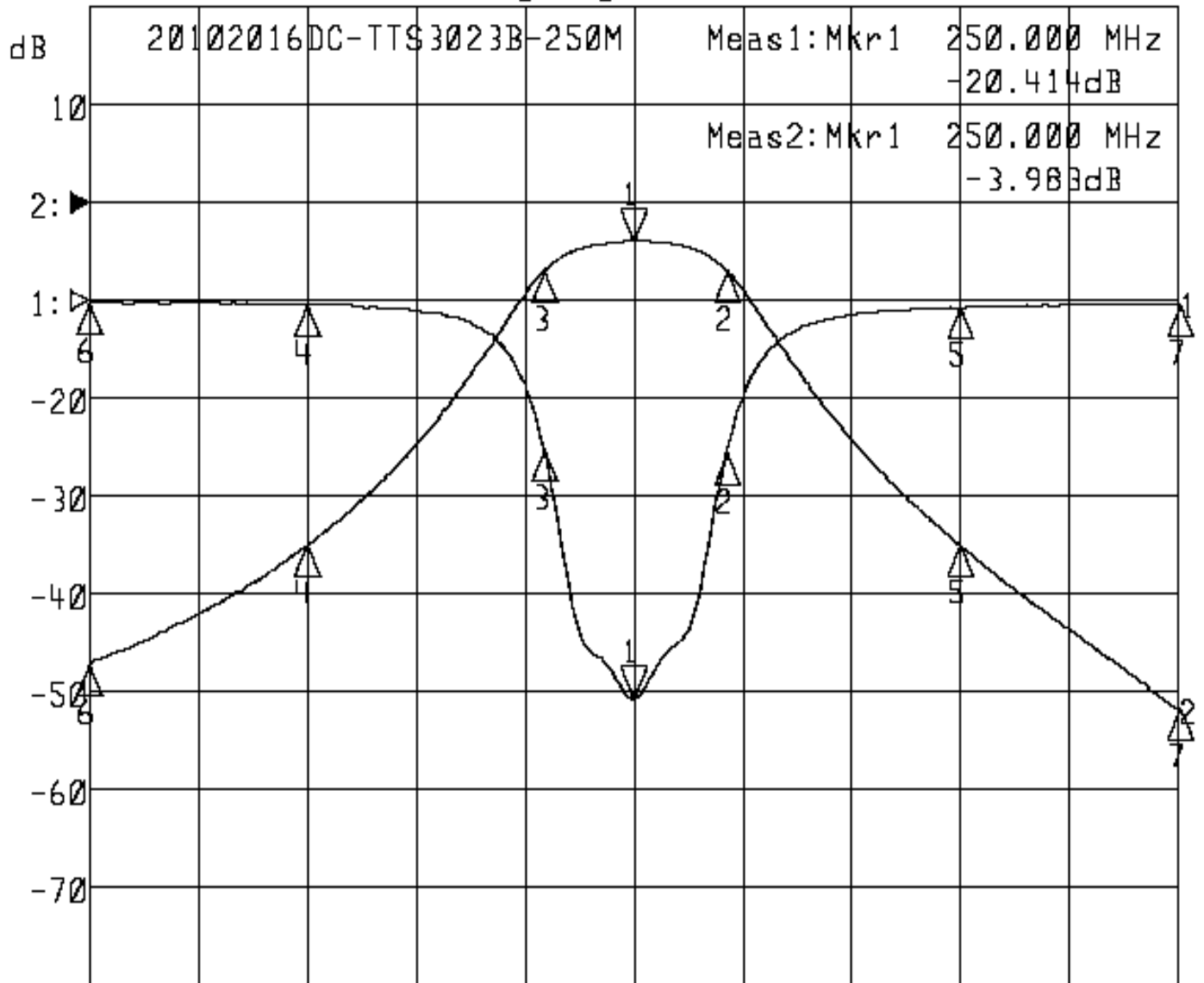
TEMWELL CORPORATION

# Performance-TTS3022B-250M

## 20102015DC

▶1:S11 Refl Port1 Log Mag 5.0 dB/ Ref 0.00 dB C

▶2:S21 Fwd Trans Log Mag 10.0 dB/ Ref 0.00 dB C



Center 250.000 MHz

Span 100.000 MHz

1:Mkr (MHz)	dB	2:Mkr (MHz)	dB
1> 250.0000	-20.414	1> 250.0000	-3.983
2: 258.5000	-7.856	2: 258.5000	-6.932
3: 241.8000	-7.659	3: 241.8000	-6.961
4: 220.0000	-0.202	4: 220.0000	-35.034
5: 280.0000	-0.386	5: 280.0000	-35.117
6: 200.0000	-0.143	6: 200.0000	-47.163
7: 300.0000	-0.205	7: 300.0000	-51.793