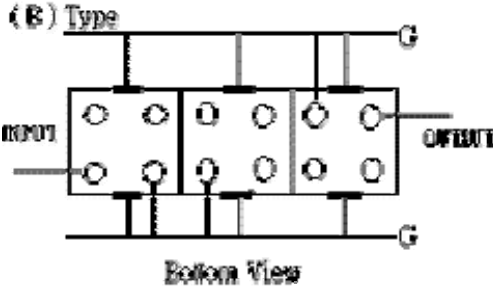
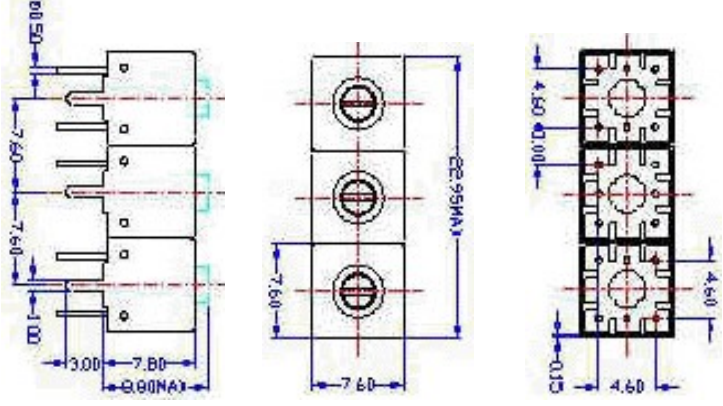


VHF UHF Helical Filter Specification Sheet

Customer Name		Temwell's Part No.	TTS3023B-250M
Approval No. /dated	20102016DC	Acceptable Specify Fo. Range	246~275MHz
Work Instruction No.	20102016DC	Date	2001.02.27

<p>(1) Pin Position</p>  <p style="text-align: center;">Bottom View</p>	<p>(2) Size Diagram</p> 
----------------------------------------------------------------------------------------------------------------------------------------------------------	------------------------------------------------------------------------------------------------------------

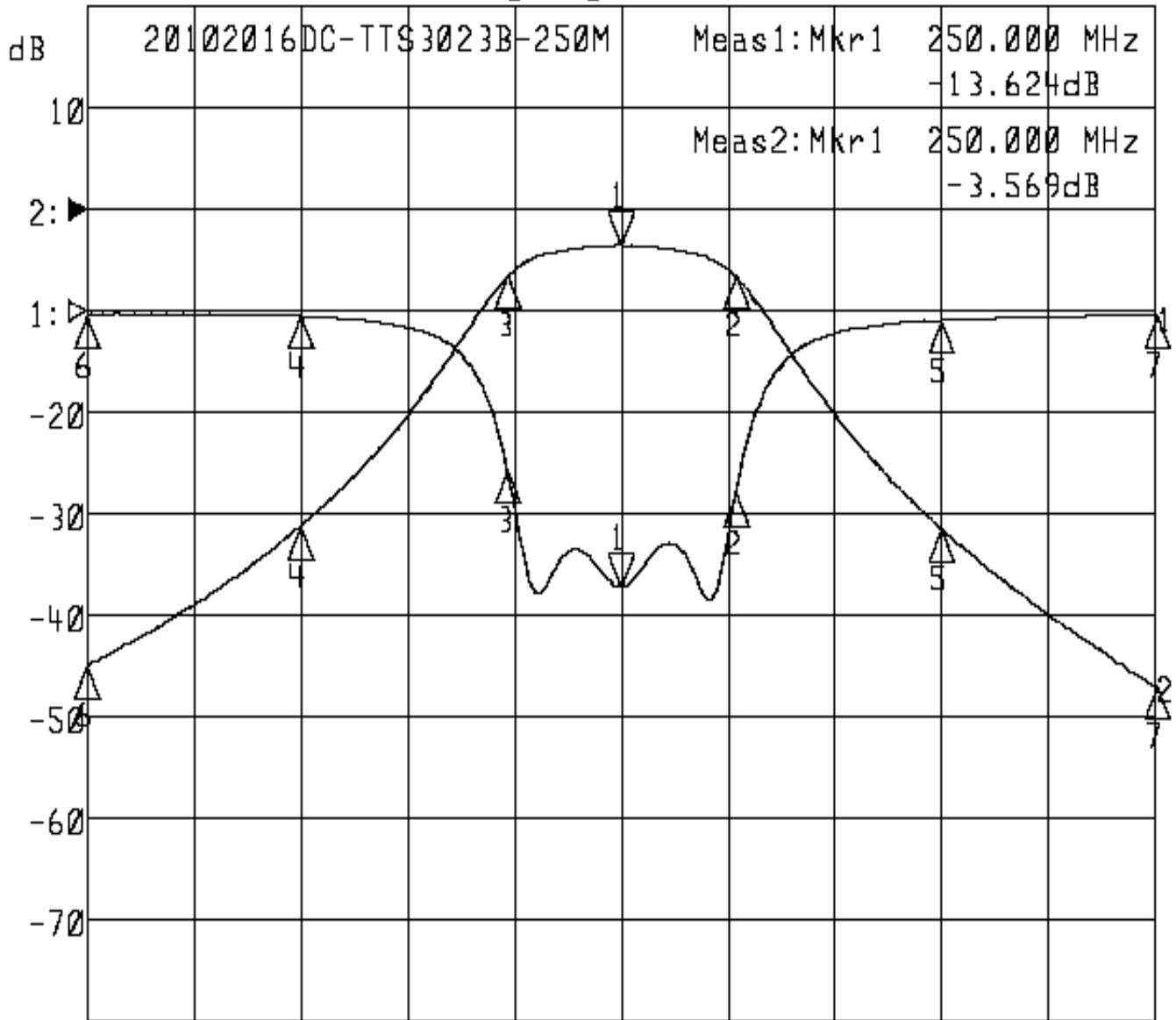
(3) Electric Character			
	Item	Specify	Performance
	Center Freq.(Fo) +/- 0.5 %	250 MHz	250 MHz
	Tunable Range	250±4 MHz	250±4 MHz
	Insertion Loss	Typ. 4.5 dB	3.6 dB
	-3 dB Bandwidth	Typ. 19 MHz	21 MHz
	Sensitivity (Attenuation)	Fo - 50 MHz	Typ. 38 dBc
		Fo + 50 MHz	Typ. 40 dBc
		Fo - ()MHz	Typ. dBc
		Fo +()MHz	Typ. dBc
	Return Loss	Min. 12 dB	13.6 dB
	Ripple	< 1 dB	dB
	Impedance	In / Out : 50 Ω	In / Out : 50 Ω
(4) Torque for Tuning Screw		> 100gf · cm	
(5) Temperature Condition:			
Operating Temperature		0°C ~ +60°C	
Storage Temperature		-20°C ~ +70°C	
(6) Input Power		> 1Watt	
Approval	Supervisor	Designer	Aperture size
C.Y.Chang	C.S.Chang	C.S.Chang	7S3S (4*4.5) 7S00LB5.5

TEMWELL CORPORATION

Performance-TTS3023B-250M

20102016DC

▶1:S11 Refl Port1 Log Mag 5.0 dB/ Ref 0.00 dB C
 ▶2:S21 Fwd Trans Log Mag 10.0 dB/ Ref 0.00 dB C



Center 250.000 MHz

Span 100.000 MHz

1: Mkr (MHz)	dB	2: Mkr (MHz)	dB
1> 250.0000	-13.624	1> 250.0000	-3.569
2: 260.7000	-9.053	2: 260.7000	-6.594
3: 239.4000	-7.863	3: 239.4000	-6.614
4: 220.0000	-0.277	4: 220.0000	-31.243
5: 280.0000	-0.482	5: 280.0000	-31.482
6: 200.0000	-0.198	6: 200.0000	-45.079
7: 300.0000	-0.270	7: 300.0000	-47.046