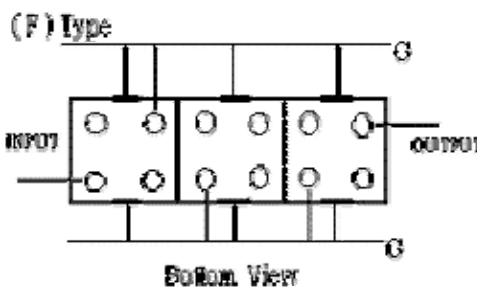
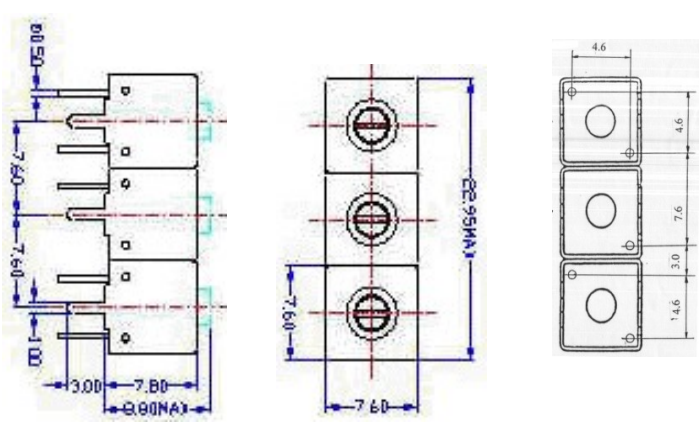


VHF UHF Helical Filter Specification Sheet

Customer Name		Temwell's Part No.	TTS3033F-300M
Approval No. /dated	20102092DC	Acceptable Specify Fo. Range	276~310MHz
Work Instruction No.	20102092DC	Date	90.02.27

<p>(1) Pin Position</p>  <p style="text-align: center;">Bottom View</p>	<p>(2) Size Diagram</p> 
--	--

(3) Electric Character

Item	Specify	Performance	
Center Freq.(Fo) +/- 0.5 %	300 MHz	300 MHz	
Tunable Range	300±4 MHz	300±4 MHz	
Insertion Loss	Typ. 5.0 dB	4.2 dB	
-3 dB Bandwidth	Typ. 15 MHz	18 MHz	
Sensitivity (Attenuation)	Fo - 30 MHz	Typ. 28 dBc	31 dBc
	Fo + 30 MHz	Typ. 19 dBc	22 dBc
	Fo - ()MHz	Typ. dBc	dBc
	Fo +()MHz	Typ. dBc	dBc
Return Loss	Min. 12 dB	19.9 dB	
Ripple	< 1 dB	dB	
Impedance	In / Out : 50 Ω	In / Out : 50 Ω	

(4) Torque for Tuning Screw > 100gf · cm

(5) Temperature Condition:

Operating Temperature	0°C ~ +60°C
Storage Temperature	-20°C ~ +70°C

(6) Input Power > 1Watt

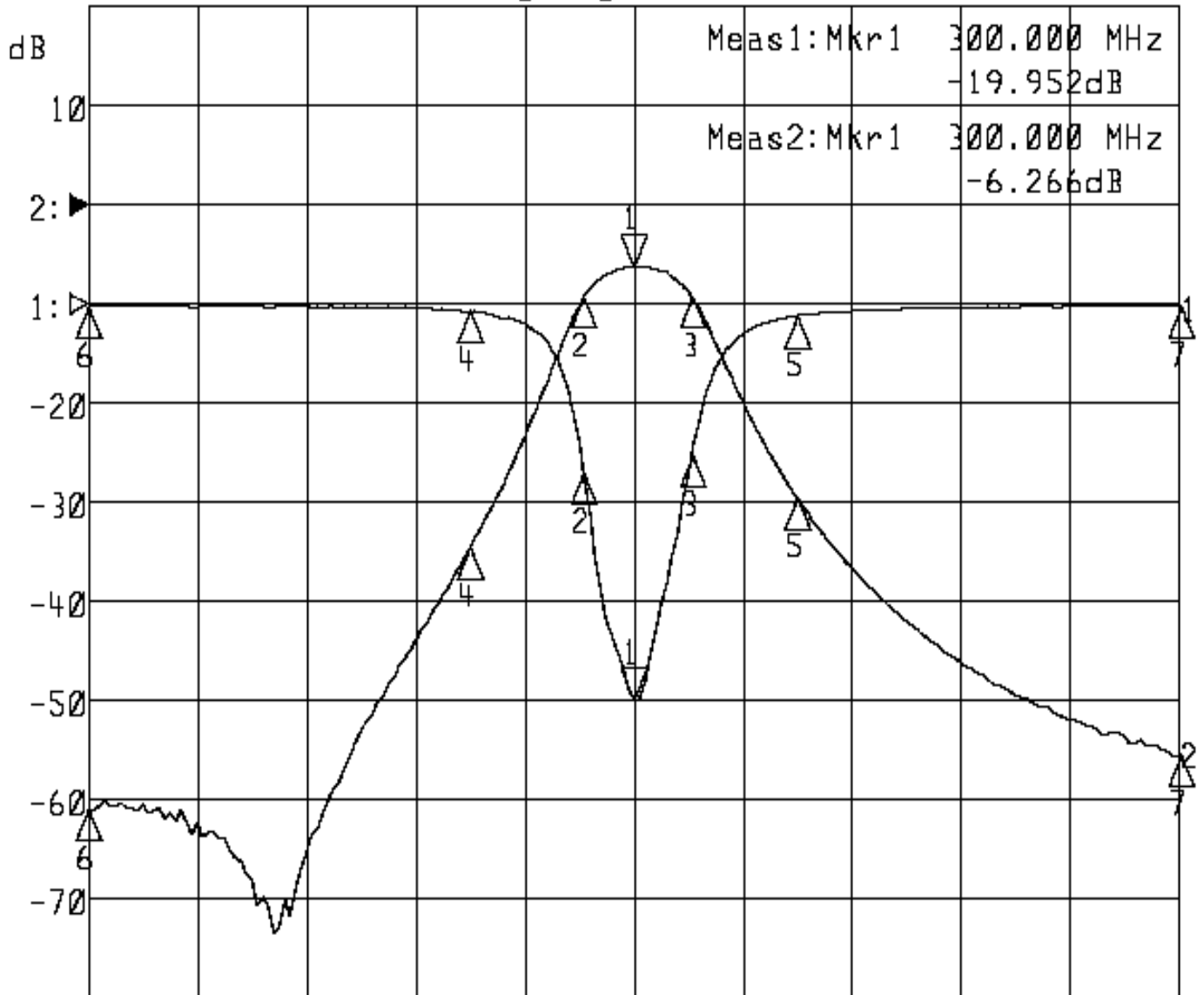
Approval	Supervisor	Designer	Aperture size
C.Y.Chang	C.S.Chang	C.S.Chang	7S3 (4*4.5) 7S00LB6

TEMWELL CORPORATION

Performance-TTS3033F-300M

20102092DC

▶1: S11 Refl Port1 Log Mag 5.0 dB/ Ref 0.00 dB C
 ▶2: S21 Fwd Trans Log Mag 10.0 dB/ Ref 0.00 dB C



Meas1: Mkr1 300.000 MHz
 -19.952dB
 Meas2: Mkr1 300.000 MHz
 -6.266dB

Center 300.000 MHz

Span 200.000 MHz

1: Mkr (MHz)	dB	2: Mkr (MHz)	dB
1> 300.0000	-19.952	1> 300.0000	-6.266
2: 290.8667	-8.444	2: 290.8667	-9.327
3: 310.6000	-7.567	3: 310.6000	-9.267
4: 270.0000	-0.392	4: 270.0000	-34.580
5: 330.0000	-0.616	5: 330.0000	-29.583
6: 200.0000	-0.117	6: 200.0000	-61.109
7: 400.0000	-0.124	7: 400.0000	-55.471