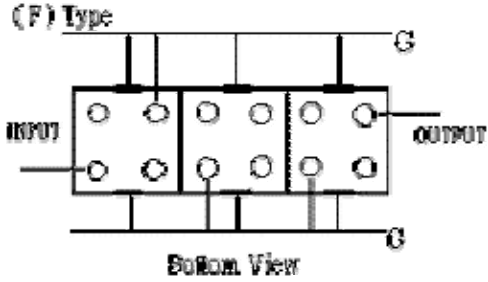
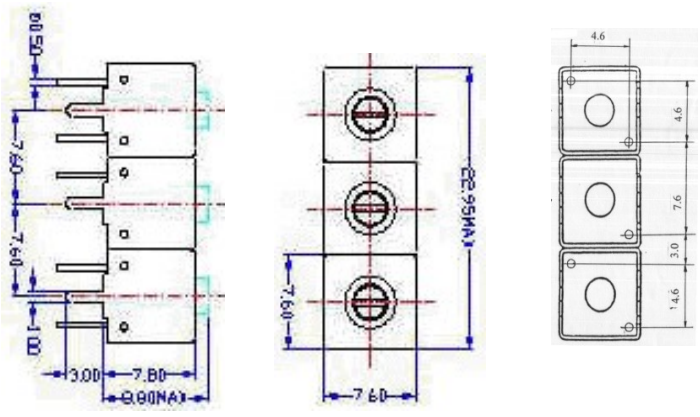


VHF UHF Helical Filter Specification Sheet

Customer Name		Temwell's Part No.	TTS3034F-300M
Approval No. /dated	20102093DC	Acceptable Specify Fo. Range	276~310MHz
Work Instruction No.	20102093DC	Date	90.02.27

<p>(1) Pin Position</p>  <p style="text-align: center;">Bottom View</p>	<p>(2) Size Diagram</p> 
--	--

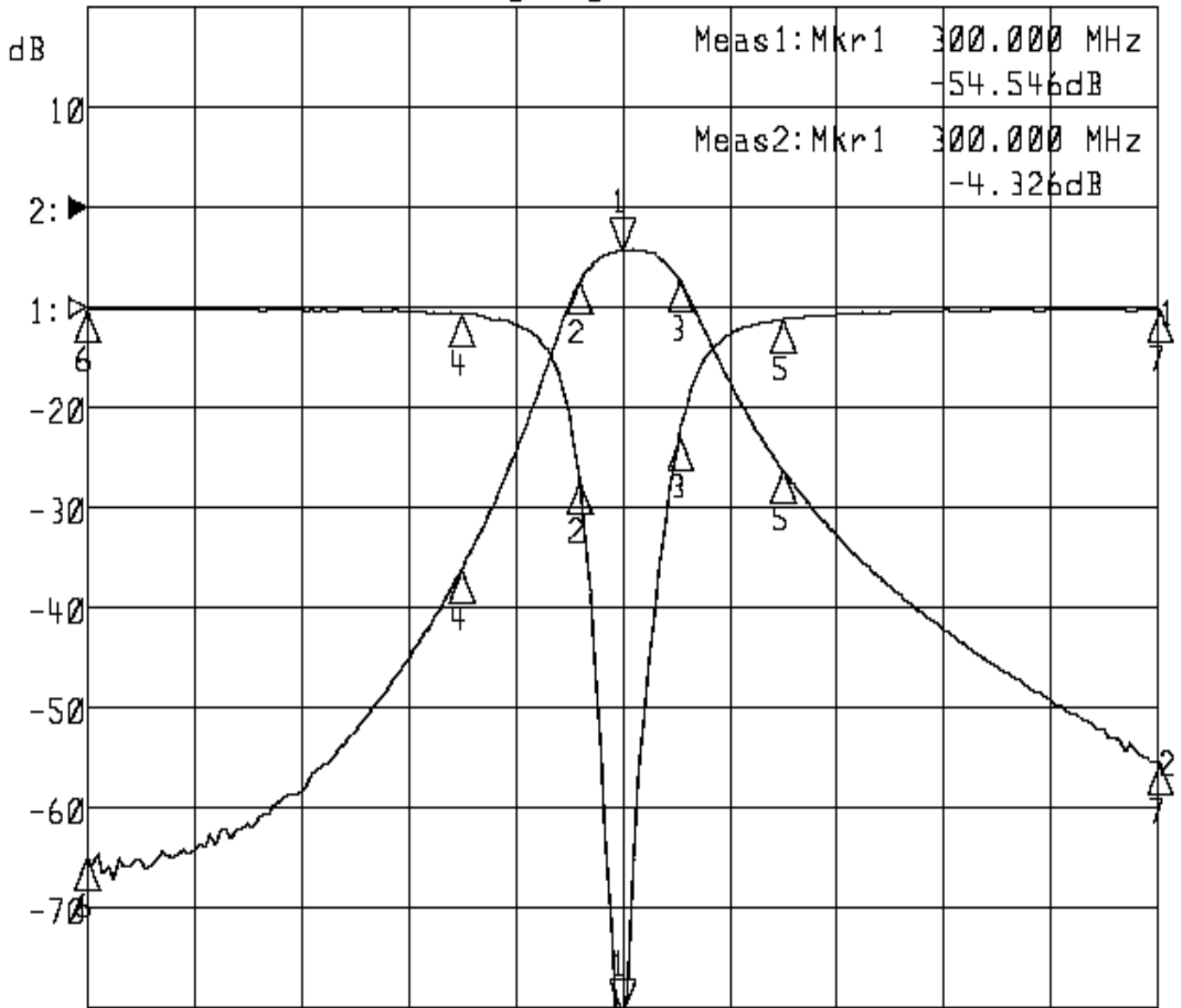
(3) Electric Character			
Item		Specify	Performance
Center Freq.(Fo) +/- 0.5 %		300 MHz	300 MHz
Tunable Range		300±4 MHz	300±4 MHz
Insertion Loss		Typ. 7.0 dB	6.1 dB
-3 dB Bandwidth		Typ. 17 MHz	20 MHz
Sensitivity (Attenuation)	Fo - 30 MHz	Typ. 25 dBc	28 dBc
	Fo + 30 MHz	Typ. 20 dBc	23 dBc
	Fo - ()MHz	Typ. dBc	dBc
	Fo +()MHz	Typ. dBc	dBc
Return Loss		Min. 12 dB	54.5 dB
Ripple		< 1 dB	dB
Impedance		In / Out : 50 Ω	In / Out : 50 Ω
(4) Torque for Tuning Screw		> 100gf · cm	
(5) Temperature Condition:			
Operating Temperature		0°C ~ +60°C	
Storage Temperature		-20°C ~ +70°C	
(6) Input Power		> 1Watt	
Approval	Supervisor	Designer	Aperture size
C.Y.Chang	C.S.Chang	C.S.Chang	7S3 (4*4.5) 7S00LB6

TEMWELL CORPORATION

Performance-TTS3034F-300M

20102093DC

►1:S11 Refl Port1 Log Mag 5.0 dB/ Ref 0.00 dB C
►2:S21 Fwd Trans Log Mag 10.0 dB/ Ref 0.00 dB C



Center 300.000 MHz

Span 200.000 MHz

1: Mkr (MHz)	dB	2: Mkr (MHz)	dB
1> 300.0000	-54.546	1> 300.0000	-4.326
2: 292.0667	-8.725	2: 292.0667	-7.380
3: 310.6000	-6.456	3: 310.6000	-7.278
4: 270.0000	-0.332	4: 270.0000	-36.198
5: 330.0000	-0.584	5: 330.0000	-26.241
6: 200.0000	-0.118	6: 200.0000	-65.041
7: 400.0000	-0.142	7: 400.0000	-55.378