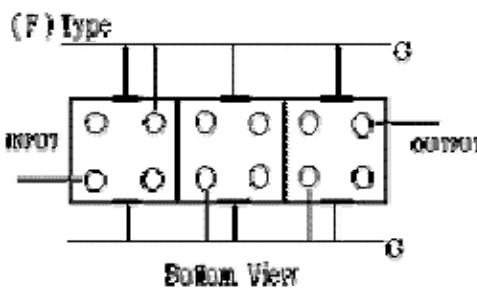
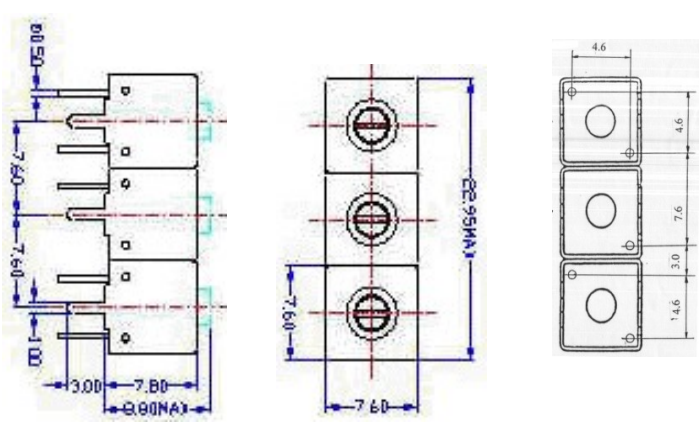


VHF UHF Helical Filter Specification Sheet

| | | | |
|----------------------|------------|------------------------------|---------------|
| Customer Name | | Temwell's Part No. | TTS3042F-314M |
| Approval No. /dated | 20102006DC | Acceptable Specify Fo. Range | 311~355MHz |
| Work Instruction No. | 20102006DC | Date | 90/03/02 |

| | |
|--|--|
| <p>(1) Pin Position</p>  <p style="text-align: center;">Bottom View</p> | <p>(2) Size Diagram</p>  |
|--|--|

(3) Electric Character

| Item | Specify | Performance | |
|------------------------------|-----------------|-----------------|--------|
| Center Freq.(Fo) +/- 0.5 % | 314 MHz | 314 MHz | |
| Tunable Range | 314±4 MHz | 314±4 MHz | |
| Insertion Loss | Typ. 5.5 dB | 4.7 dB | |
| -3 dB Bandwidth | Typ. 8.0 MHz | 11 MHz | |
| Sensitivity (Attenuation) | Fo - 30 MHz | Typ. 36 dBc | 39 dBc |
| | Fo + 30 MHz | Typ. 20 dBc | 23 dBc |
| | Fo - ()MHz | Typ. dBc | dBc |
| | Fo +()MHz | Typ. dBc | dBc |
| Return Loss | Min. 12 dB | 21.1 dB | |
| Ripple | < 1 dB | dB | |
| Impedance | In / Out : 50 Ω | In / Out : 50 Ω | |

(4) Torque for Tuning Screw > 100gf · cm

(5) Temperature Condition:

| | |
|-----------------------|---------------|
| Operating Temperature | 0°C ~ +60°C |
| Storage Temperature | -20°C ~ +70°C |

(6) Input Power > 1Watt

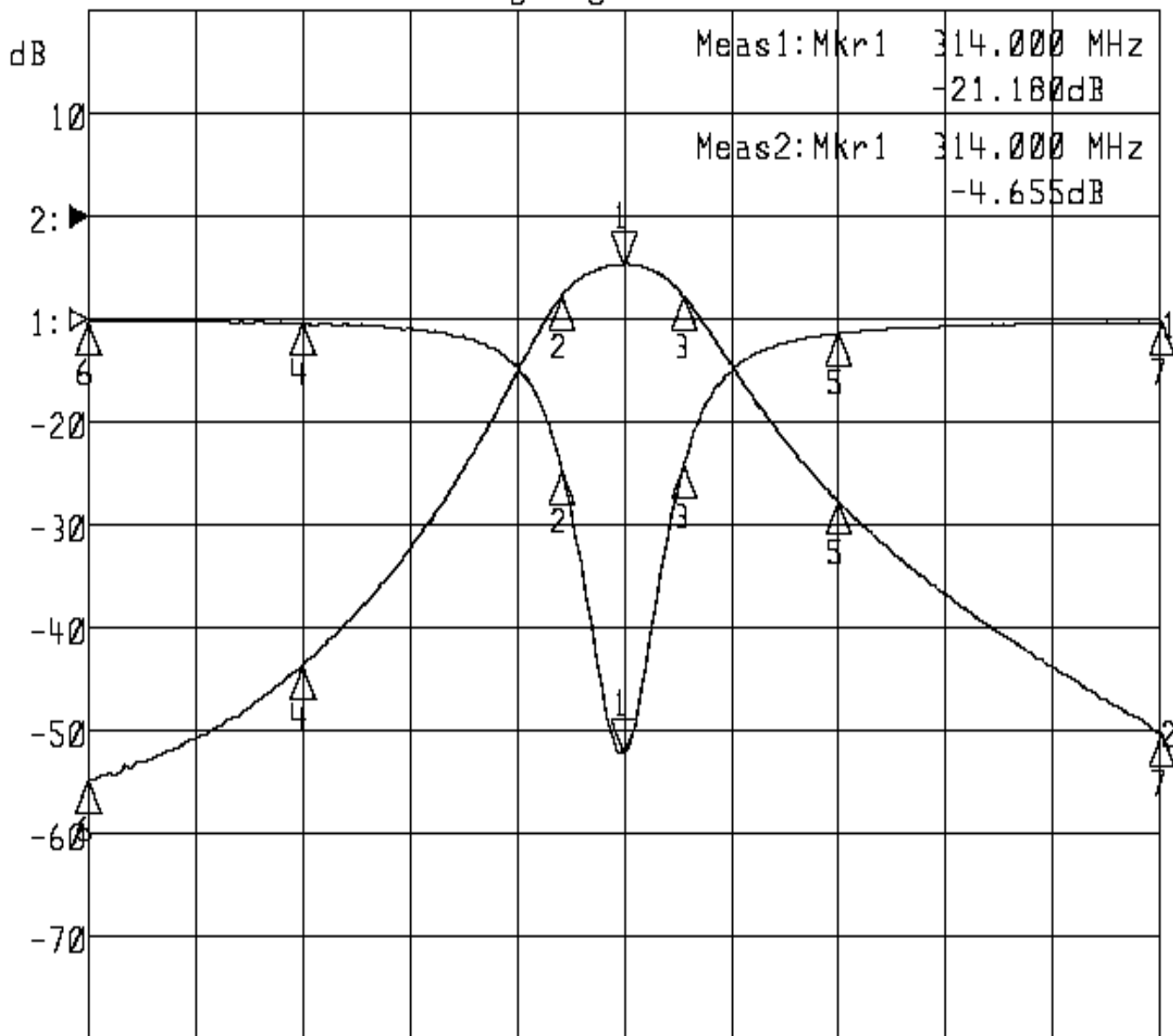
| | | | |
|-----------|------------|-----------|-----------------------|
| Approval | Supervisor | Designer | Aperture size |
| C.Y.Chang | C.S.Chang | C.S.Chang | 7S3(4*3.5) 7S00LB6 |

TEMWELL CORPORATION

Performance-TTS3042F-314M

20102006DC

▶1: S11 Refl Port1 Log Mag 5.0 dB/ Ref 0.00 dB C
 ▶2: S21 Fwd Trans Log Mag 10.0 dB/ Ref 0.00 dB C



Meas1: Mkr1 314.000 MHz
 -21.180 dB
 Meas2: Mkr1 314.000 MHz
 -4.655 dB

Center 314.000 MHz

Span 100.000 MHz

| 1: Mkr (MHz) | dB | 2: Mkr (MHz) | dB |
|--------------|---------|--------------|---------|
| 1> 314.0000 | -21.180 | 1> 314.0000 | -4.655 |
| 2: 308.2667 | -7.400 | 2: 308.2667 | -7.647 |
| 3: 319.5333 | -7.176 | 3: 319.5333 | -7.678 |
| 4: 284.0000 | -0.186 | 4: 284.0000 | -43.679 |
| 5: 334.0000 | -0.678 | 5: 334.0000 | -27.713 |
| 6: 264.0000 | -0.131 | 6: 264.0000 | -54.861 |
| 7: 364.0000 | -0.147 | 7: 364.0000 | -50.208 |