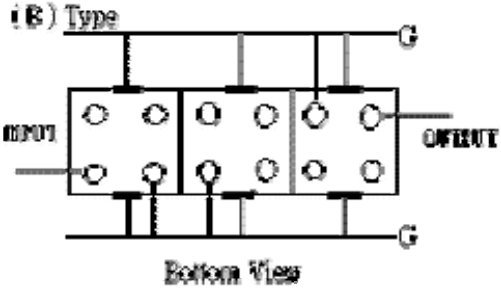
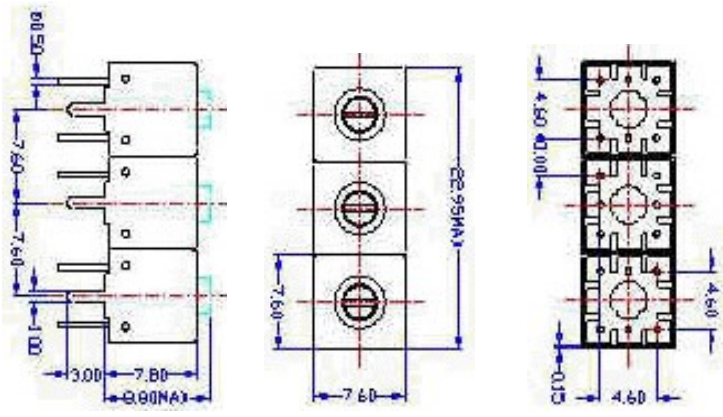


VHF UHF Helical Filter Specification Sheet

Customer Name		Temwell's Part No.	TTS3045B-341M
Approval No. /dated	20105071DB	Acceptable Specify Fo. Range	311~355MHz
Work Instruction No.	20105071DB	Date	2001.05.28

<p>(1) Pin Position</p>  <p style="text-align: center;">Bottom View</p>	<p>(2) Size Diagram</p> 
--	--

(3) Electric Character

Item	Specify	Performance	
Center Freq.(Fo) +/- 0.5 %	341 MHz	341 MHz	
Tunable Range	341±4 MHz	341±4 MHz	
Insertion Loss	Typ. 4.5 dB	3.9 dB	
-3 dB Bandwidth	Typ. 8.0 MHz	11 MHz	
Sensitivity (Attenuation)	Fo - 20 MHz	Typ. 27 dBc	30 dBc
	Fo + 20 MHz	Typ. 23 dBc	26 dBc
	Fo - ()MHz	Typ. dBc	dBc
	Fo +()MHz	Typ. dBc	dBc
Return Loss	Min. 12 dB	26.7 dB	
Ripple	< 1 dB	dB	
Impedance	In / Out : 50 Ω	In / Out : 50 Ω	

(4) Torque for Tuning Screw > 100gf • cm

(5) Temperature Condition:

Operating Temperature	0°C ~ +60°C
Storage Temperature	-20°C ~ +70°C

(6) Input Power > 1Watt

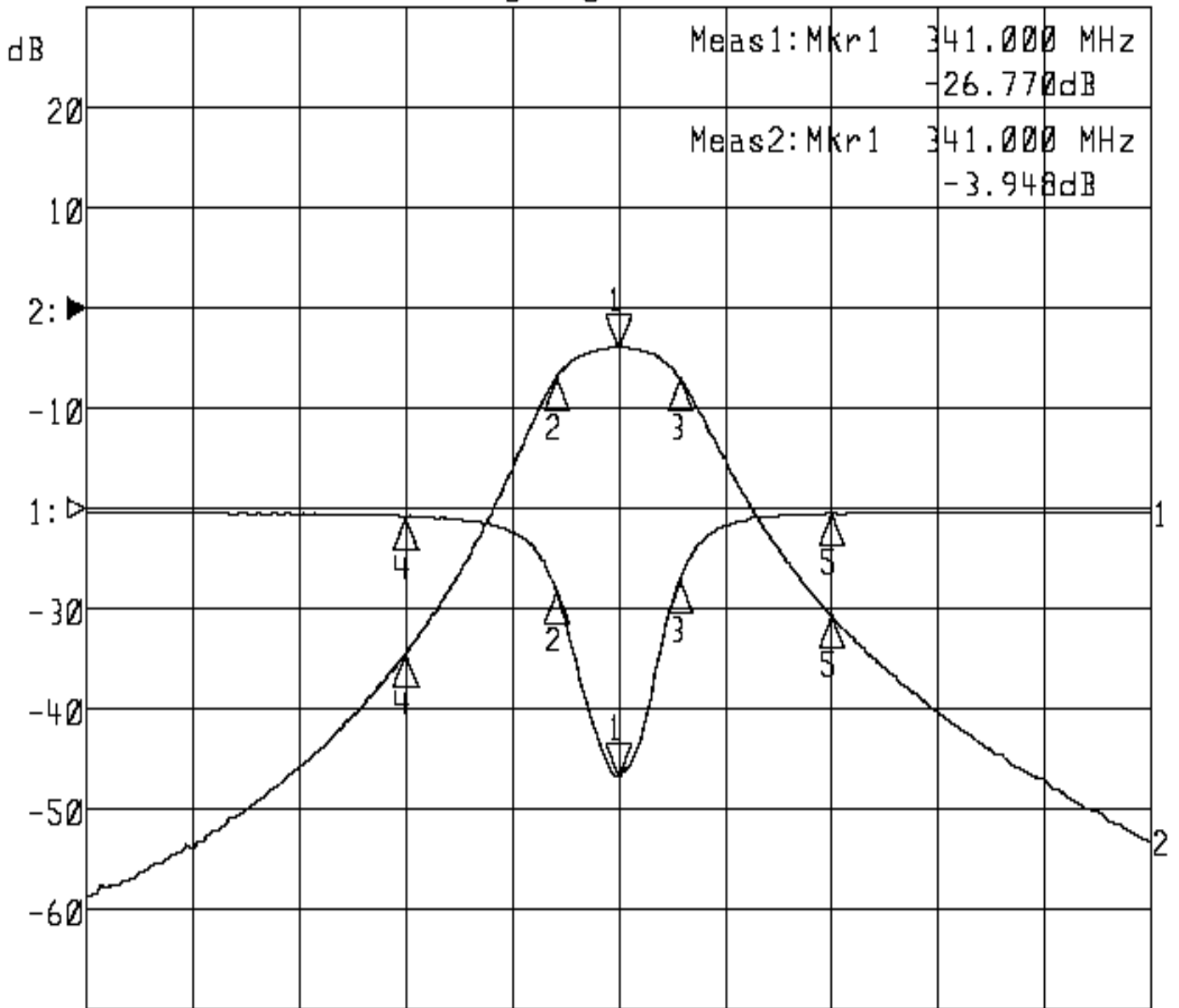
Approval	Supervisor	Designer	Aperture size
C.Y.Chang	C.S.Chang	C.S.Chang	7S3S(4*3.5) 7S024RB4.5

TEMWELL CORPORATION

Performance- TTS3045B-341M

20105071DB

▶1: S11 Refl Port1 Log Mag 10.0 dB/ Ref 0.00 dB C
▶2: S21 Fwd Trans Log Mag 10.0 dB/ Ref 0.00 dB C



Center 341.000 MHz

Span 100.000 MHz

1: Mkr (MHz)	dB	2: Mkr (MHz)	dB
1> 341.0000	-26.770	1> 341.0000	-3.948
2: 335.1667	-8.179	2: 335.1667	-6.948
3: 346.7333	-7.128	3: 346.7333	-6.925
4: 321.0000	-0.882	4: 321.0000	-34.610
5: 361.0000	-0.531	5: 361.0000	-30.648