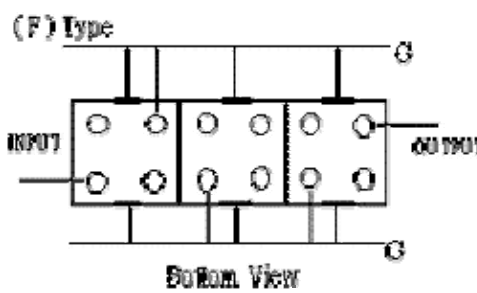
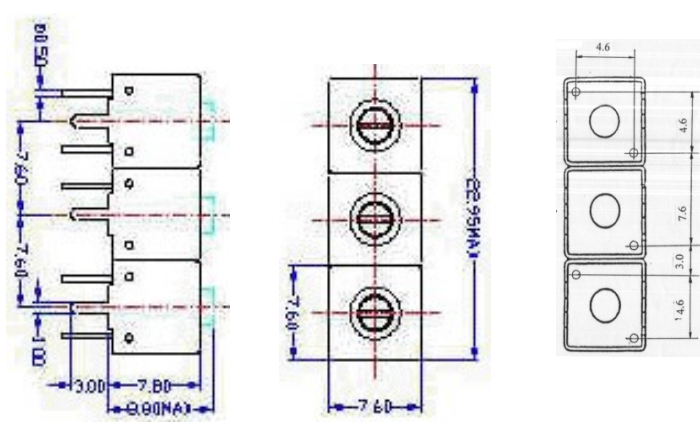


# VHF UHF Helical Filter Specification Sheet

Customer Name		Temwell's Part No.	TTS3046F-314M
Approval No. /dated	20103083DC	Acceptable Specify Fo. Range	311~355MHz
Work Instruction No.	20103083DC	Date	2001/03/28

<p>(1) Pin Position</p>  <p style="text-align: center;">Bottom View</p>	<p>(2) Size Diagram</p> 
--	--

(3) Electric Character

Item	Specify	Performance	
Center Freq.(Fo ) +/- 0.5 %	314 MHz	314 MHz	
Tunable Range	314±4 MHz	314±4 MHz	
Insertion Loss	Typ. 2.5 dB	1.7 dB	
-3 dB Bandwidth	Typ. 23 MHz	26 MHz	
Sensitivity (Attenuation)	Fo - 50 MHz	Typ. 31 dBc	34 dBc
	Fo + 50 MHz	Typ. 29 dBc	32 dBc
	Fo - ( )MHz	Typ. dBc	dBc
	Fo +( )MHz	Typ. dBc	dBc
Return Loss	Min. 12 dB	38.2 dB	
Ripple	< 1 dB	dB	
Impedance	In / Out : 50 Ω	In / Out : 50 Ω	

(4) Torque for Tuning Screw > 100gf · cm

(5) Temperature Condition:

Operating Temperature	0°C ~ +60°C
Storage Temperature	-20°C ~ +70°C

(6) Input Power > 1Watt

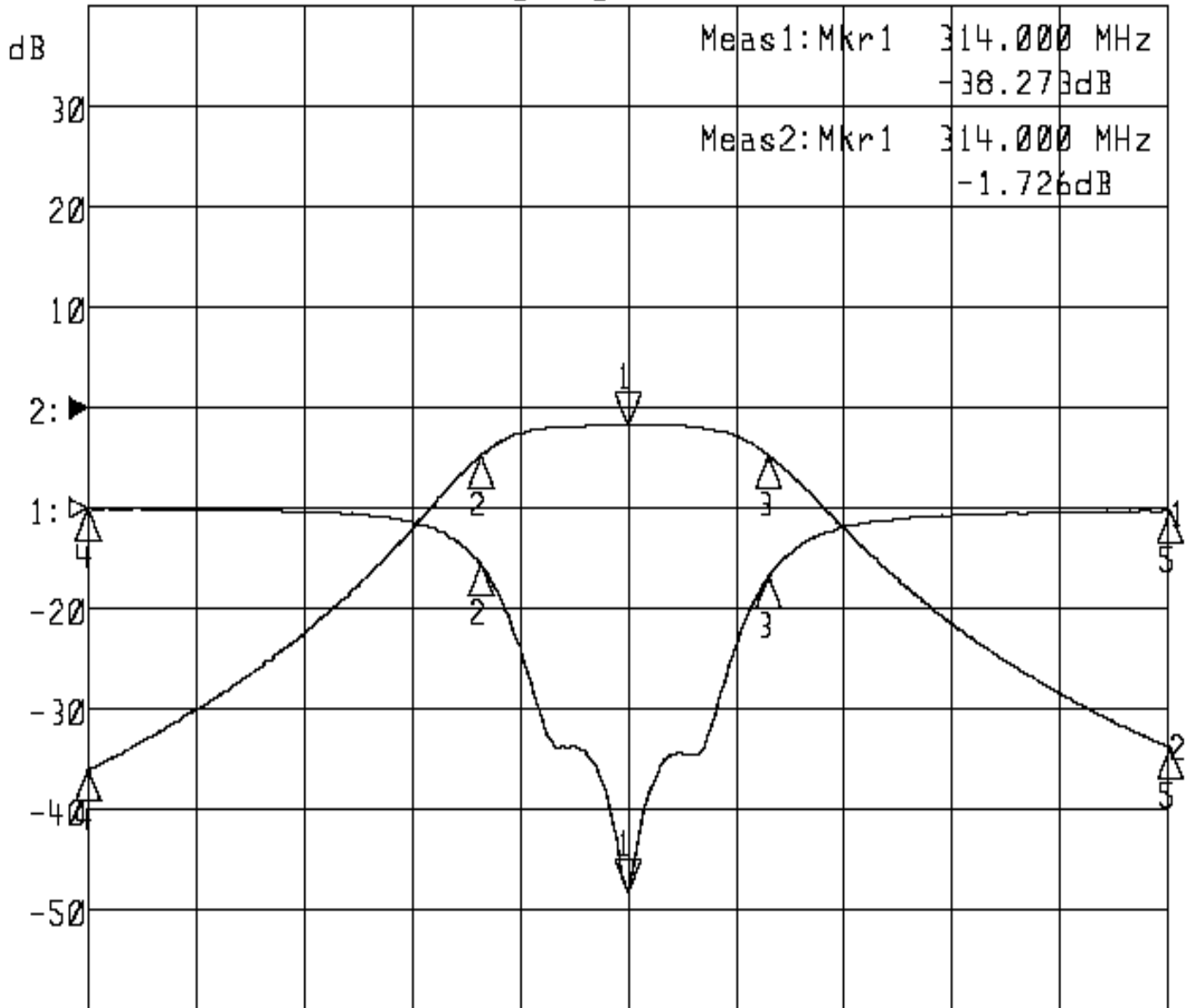
Approval	Supervisor	Designer	Aperture size
C.Y.Chang	C.S.Chang	C.S.Chang	7S3S(4*4.5) 7S024RB5.5

TEMWELL CORPORATION

# Performance-TTS3046F-314M

## 20103083DC

▶1: S11 Refl Port1    Log Mag    10.0 dB/ Ref    0.00 dB    C  
 ▶2: S21 Fwd Trans    Log Mag    10.0 dB/ Ref    0.00 dB    C



Meas1: Mkr1    314.000 MHz  
                  -38.273 dB  
 Meas2: Mkr1    314.000 MHz  
                  -1.726 dB

Center 314.000 MHz

Span 100.000 MHz

1: Mkr (MHz)	dB	2: Mkr (MHz)	dB
1> 314.0000	-38.273	1> 314.0000	-1.726
2: 300.3333	-5.563	2: 300.3333	-4.805
3: 327.0667	-6.808	3: 327.0667	-4.760
4: 264.0000	-0.120	4: 264.0000	-36.103
5: 364.0000	-0.285	5: 364.0000	-33.725