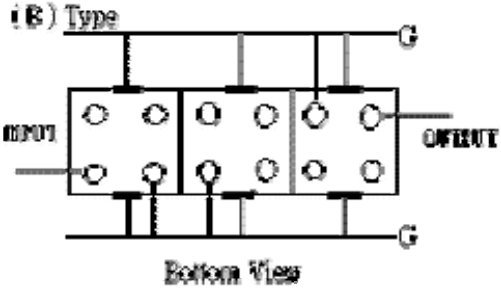
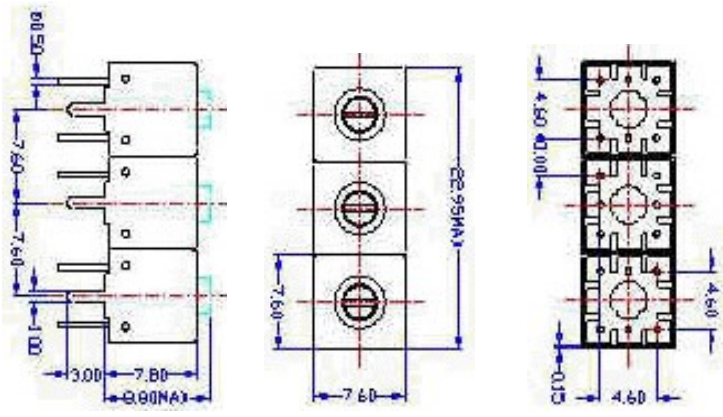


# VHF UHF Helical Filter Specification Sheet

Customer Name		Temwell's Part No.	TTS3058B-400M
Approval No. /dated	20104068DC	Acceptable Specify Fo. Range	356~400MHz
Work Instruction No.	20104068DC	Date	Apr.20,2001

(1)Pin Position	(2)Size Diagram
 <p style="text-align: center;">(B) Type Bottom View</p>	

(3)Electric Character

Item	Specify	Performance	
Center Freq.(Fo ) +/- 0.5 %	400 MHz	400 MHz	
Tunable Range	400±5 MHz	400±5 MHz	
Insertion Loss	Typ. 5.5 dB	4.7 dB	
-3 dB Bandwidth	Typ. 8.0 MHz	12 MHz	
Sensitivity (Attenuation)	Fo - 50 MHz	Typ. 38 dBc	41 dBc
	Fo + 50 MHz	Typ. 29 dBc	32 dBc
	Fo - ( )MHz	Typ. dBc	dBc
	Fo +( )MHz	Typ. dBc	dBc
Return Loss	Min. 12 dB	25.1 dB	
Ripple	< 1 dB	dB	
Impedance	In / Out : 50 Ω	In / Out : 50 Ω	

(4)Torque for Tuning Screw > 100gf • cm

(5)Temperature Condition:

Operating Temperature	0°C ~ +60°C
Storage Temperature	-20°C ~ +70°C

(6)Input Power > 1Watt

Approval	Supervisor	Designer	Aperture size
C.Y.Chang	C.S.Chang	C.S.Chang	7S3S (4*3.5) 7S024RB5.5

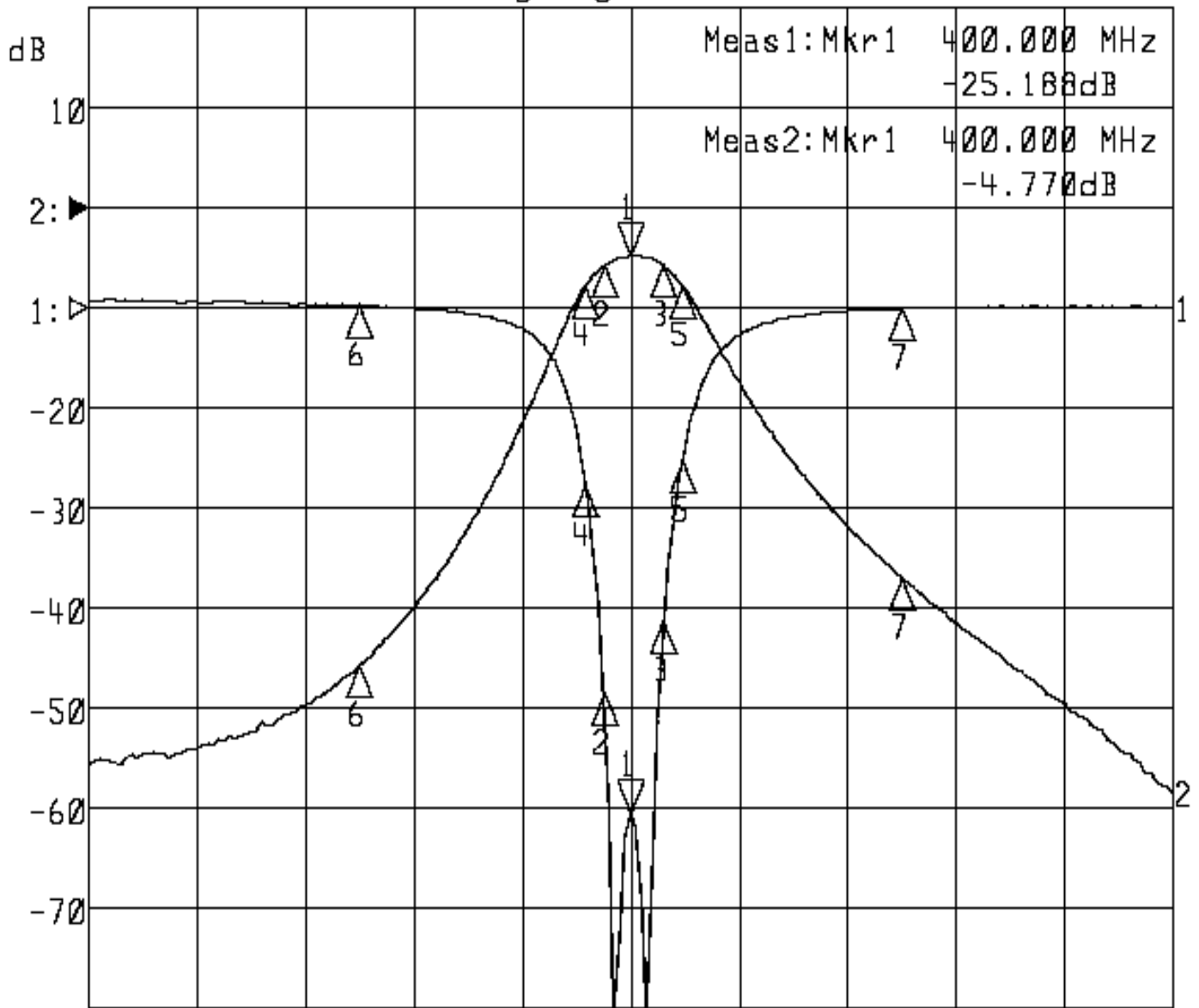
TEMWELL CORPORATION

# Performance-TTS3058B-400M

## 20104068DC

▷1:S11 Refl Port1 Log Mag 5.0 dB/ Ref 0.00 dB C

▶2:S21 Fwd Trans Log Mag 10.0 dB/ Ref 0.00 dB C



Center 400.000 MHz

Span 200.000 MHz

1: Mkr (MHz)	dB	2: Mkr (MHz)	dB
1> 400.0000	-25.188	1> 400.0000	-4.770
2: 395.0667	-19.287	2: 395.0667	-5.772
3: 406.1333	-15.584	3: 406.1333	-5.732
4: 391.7333	-8.816	4: 391.7333	-7.754
5: 409.5333	-7.592	5: 409.5333	-7.699
6: 350.0000	0.161	6: 350.0000	-45.776
7: 450.0000	-0.028	7: 450.0000	-36.908