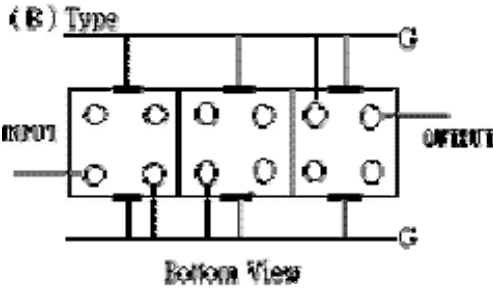
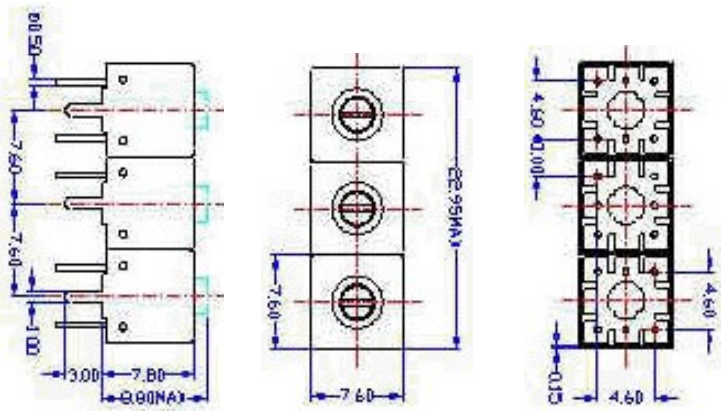


# VHF UHF Helical Filter Specification Sheet

Customer Name		Temwell's Part No.	TTS3062B-434M
Approval No. /dated	20103055DC	Acceptable Specify Fo. Range	401~455MHz
Work Instruction No.	20103055DC	Date	2001.04.07

<p>(1) Pin Position</p>  <p style="text-align: center;">Bottom View</p>	<p>(2) Size Diagram</p> 
--	--

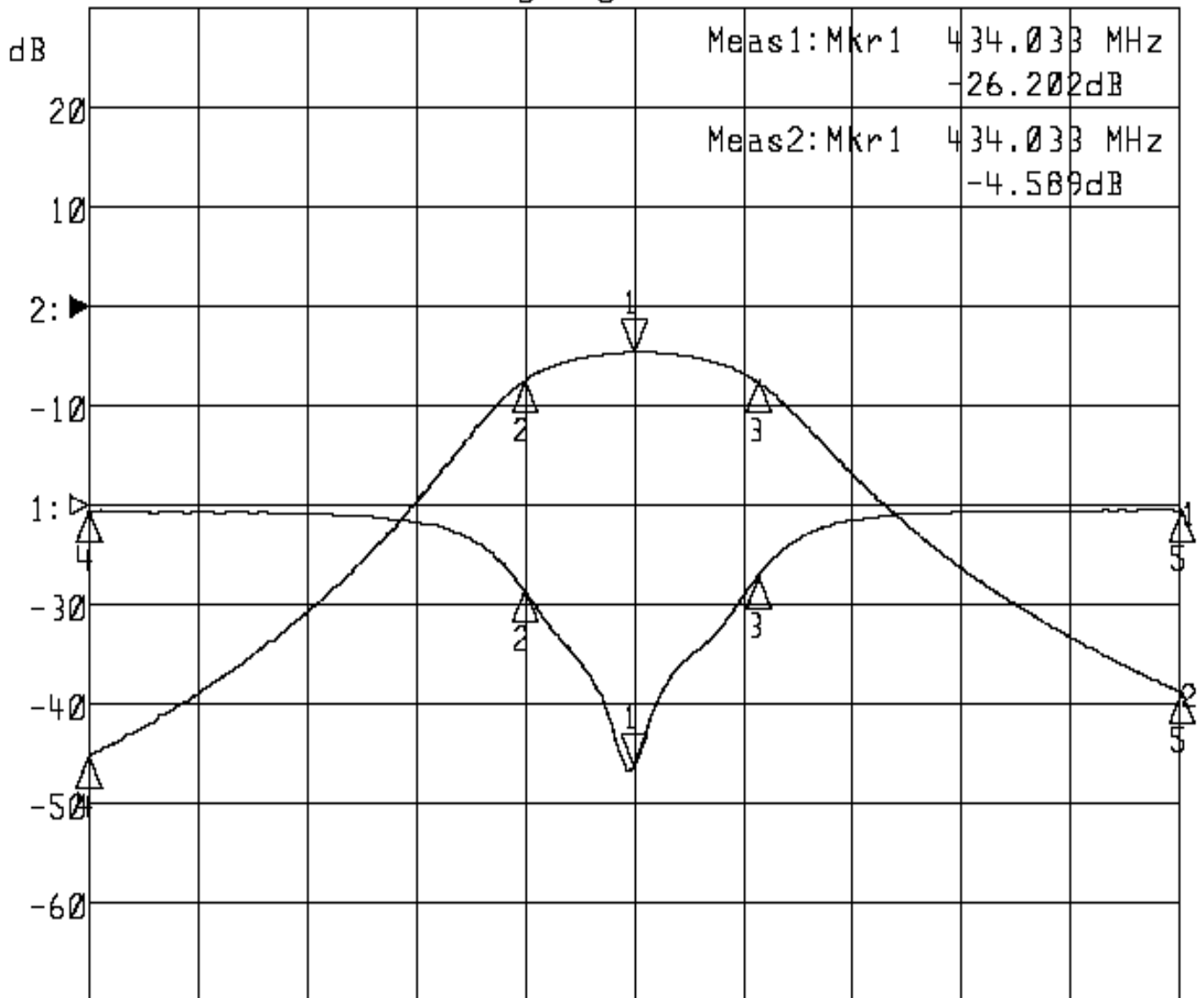
(3) Electric Character			
Item	Specify	Performance	
Center Freq.(Fo) +/- 0.5 %	434 MHz	434 MHz	
Tunable Range	434±5 MHz	434±5 MHz	
Insertion Loss	Typ. 5.5 dB	4.5 dB	
-3 dB Bandwidth	Typ. 17 MHz	21 MHz	
Sensitivity (Attenuation)	Fo - 50 MHz	Typ. 37 dBc	40 dBc
	Fo + 50 MHz	Typ. 31 dBc	34 dBc
	Fo - ( )MHz	Typ. dBc	dBc
	Fo +( )MHz	Typ. dBc	dBc
Return Loss	Min. 12 dB	26.2 dB	
Ripple	< 1 dB	dB	
Impedance	In / Out : 50 Ω	In / Out : 50 Ω	
(4) Torque for Tuning Screw		> 100gf · cm	
(5) Temperature Condition:			
Operating Temperature		0°C ~ +60°C	
Storage Temperature		-20°C ~ +70°C	
(6) Input Power		> 1Watt	
Approval	Supervisor	Designer	Aperture size
C.Y.Chang	C.S.Chang	C.S.Chang	7S3S(4*3.5) 7S024RB5.5

TEMWELL CORPORATION

# Performance-TTS3062B-434M

## 20103055DC

►1:S11 Refl Port1 Log Mag 10.0 dB/ Ref 0.00 dB C  
 ►2:S21 Fwd Trans Log Mag 10.0 dB/ Ref 0.00 dB C



Center 434.000 MHz

Span 100.000 MHz

1:Mkr (MHz)	dB	2:Mkr (MHz)	dB
1> 434.0333	-26.202	1> 434.0333	-4.589
2: 423.9333	-8.595	2: 423.9333	-7.521
3: 445.3000	-7.214	3: 445.3000	-7.583
4: 384.0000	-0.570	4: 384.0000	-45.203
5: 484.0000	-0.568	5: 484.0000	-38.767