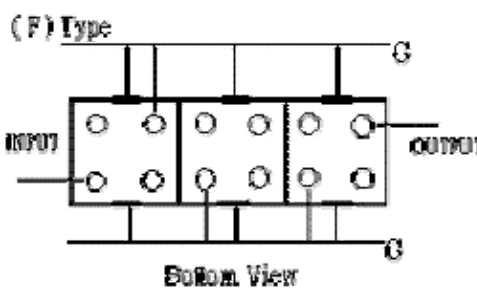
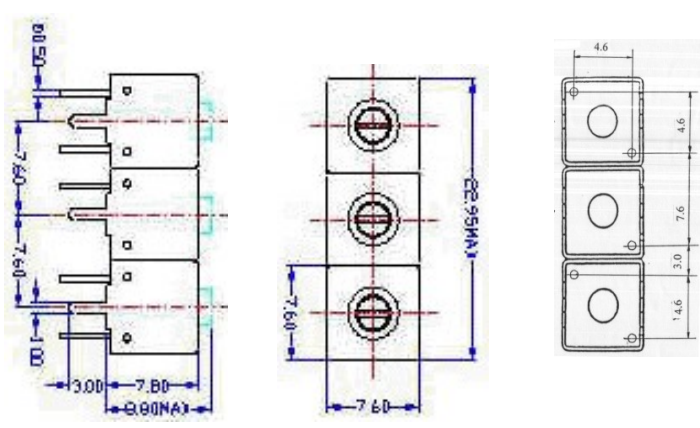


# VHF UHF Helical Filter Specification Sheet

Customer Name		Temwell's Part No.	TTS3063F-434M
Approval No. /dated	20103056DC	Acceptable Specify Fo. Range	401~455MHz
Work Instruction No.	20103056DC	Date	2001.04.06

<p>(1) Pin Position</p>  <p style="text-align: center;">Bottom View</p>	<p>(2) Size Diagram</p> 
--	--

(3) Electric Character

Item	Specify	Performance	
Center Freq.(Fo ) +/- 0.5 %	434 MHz	434 MHz	
Tunable Range	434±5 MHz	434±5 MHz	
Insertion Loss	Typ. 4.0 dB	3.1 dB	
-3 dB Bandwidth	Typ. 31 MHz	35 MHz	
Sensitivity (Attenuation)	Fo - 50 MHz	Typ. 21 dBc	24 dBc
	Fo + 50 MHz	Typ. 23 dBc	26 dBc
	Fo - ( )MHz	Typ. dBc	dBc
	Fo +( )MHz	Typ. dBc	dBc
Return Loss	Min. 12 dB	23.9 dB	
Ripple	< 1 dB	dB	
Impedance	In / Out : 50 Ω	In / Out : 50 Ω	

(4) Torque for Tuning Screw > 100gf · cm

(5) Temperature Condition:

Operating Temperature	0°C ~ +60°C
Storage Temperature	-20°C ~ +70°C

(6) Input Power > 1Watt

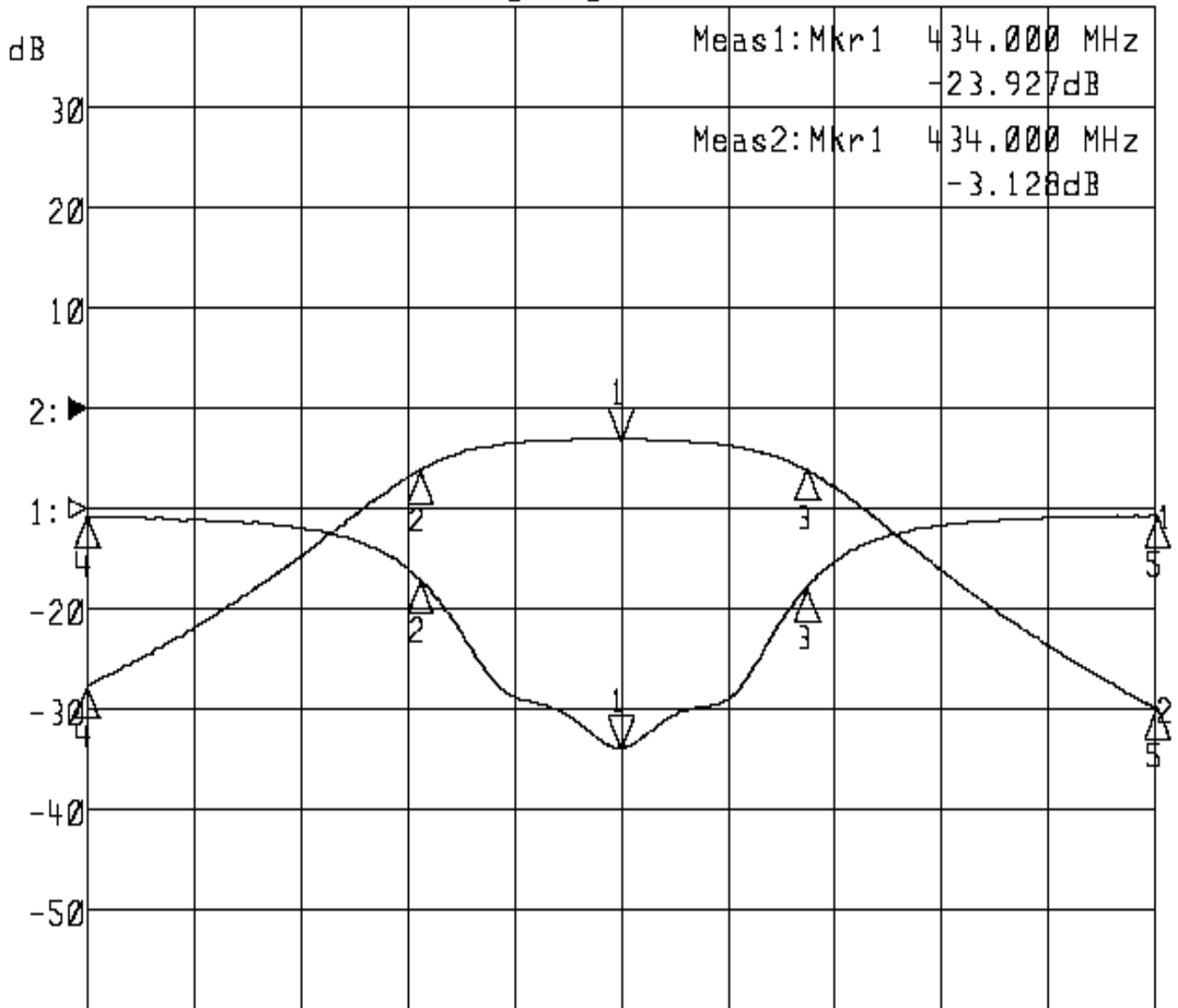
Approval	Supervisor	Designer	Aperture size
C.Y.Chang	C.S.Chang	C.S.Chang	7S3S(4*4.5) 7S024RB5.5

TEMWELL CORPORATION

# Performance-TTS3063F-434M

## 20103056DC

▷1:S11 Refl Port1 Log Mag 10.0 dB/ Ref 0.00 dB C  
▶2:S21 Fwd Trans Log Mag 10.0 dB/ Ref 0.00 dB C



Center 434.000 MHz

Span 100.000 MHz

1: Mkr (MHz)	dB	2: Mkr (MHz)	dB
1> 434.0000	-23.927	1> 434.0000	-3.128
2: 415.2667	-7.140	2: 415.2667	-6.125
3: 451.3000	-7.950	3: 451.3000	-6.112
4: 384.0000	-0.819	4: 384.0000	-27.629
5: 484.0000	-0.733	5: 484.0000	-29.867