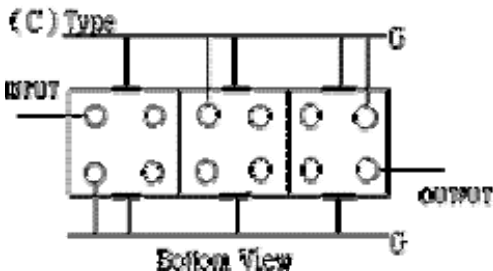
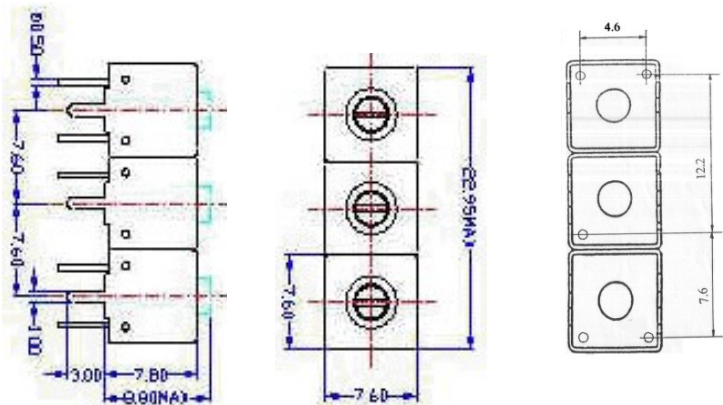


VHF UHF Helical Filter Specification Sheet

Customer Name		Temwell's Part No.	TTS3072C-485M
Approval No. /dated	20103089DC	Acceptable Specify Fo. Range	456~515MHz
Work Instruction No.	20103089DC	Date	2001.04.17

<p>(1) Pin Position</p> 	<p>(2) Size Diagram</p> 
---	--

(3) Electric Character

Item	Specify	Performance	
Center Freq.(Fo) +/- 0.5 %	485 MHz	485 MHz	
Tunable Range	485±5 MHz	485±5 MHz	
Insertion Loss	Typ. 4.0 dB	3.1 dB	
-3 dB Bandwidth	Typ. 29 MHz	32 MHz	
Sensitivity (Attenuation)	Fo - 100 MHz	Typ. 52 dBc	55 dBc
	Fo + 100 MHz	Typ. 28 dBc	31 dBc
	Fo - ()MHz	Typ. dBc	dBc
	Fo +()MHz	Typ. dBc	dBc
Return Loss	Min. 12 dB	23.7 dB	
Ripple	< 1 dB	dB	
Impedance	In / Out : 50 Ω	In / Out : 50 Ω	

(4) Torque for Tuning Screw > 100gf • cm

(5) Temperature Condition:

Operating Temperature	0°C ~ +60°C
Storage Temperature	-20°C ~ +70°C

(6) Input Power > 1Watt

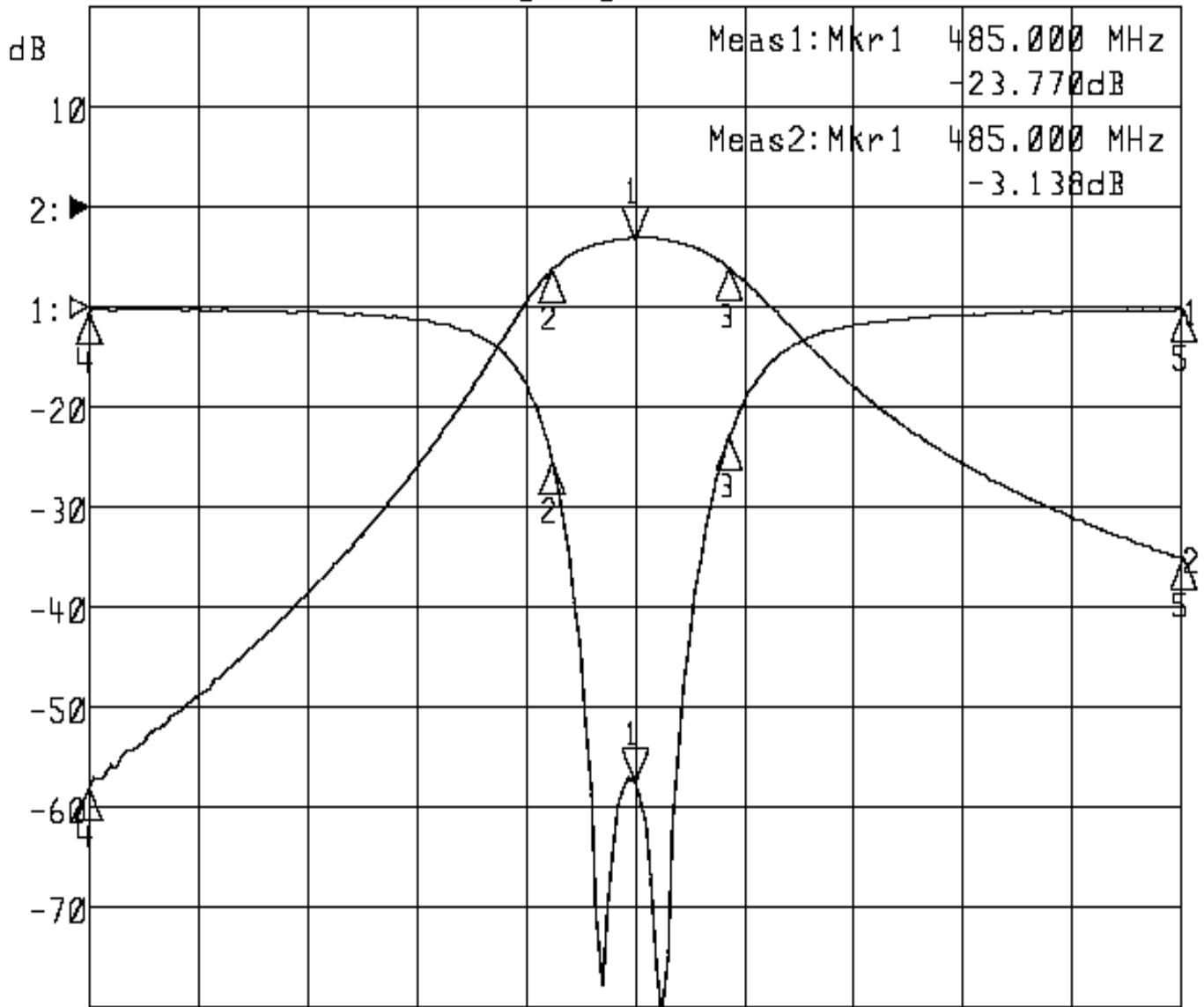
Approval	Supervisor	Designer	Aperture size
C.Y.Chang	C.S.Chang	C.S.Chang	7S3 (4*4.5) 7S024RB5.5

TEMWELL CORPORATION

Performance-TTS3072C-485M

20103089DC

►1:S11 Refl Port1 Log Mag 5.0 dB/ Ref 0.00 dB C
►2:S21 Fwd Trans Log Mag 10.0 dB/ Ref 0.00 dB C



Center 485.000 MHz

Span 200.000 MHz

1:Mkr (MHz)	dB	2:Mkr (MHz)	dB
1> 485.0000	-23.770	1> 485.0000	-3.138
2: 470.0000	-7.767	2: 470.0000	-6.156
3: 502.2667	-6.493	3: 502.2667	-6.120
4: 385.0000	-0.192	4: 385.0000	-58.020
5: 585.0000	-0.135	5: 585.0000	-35.067