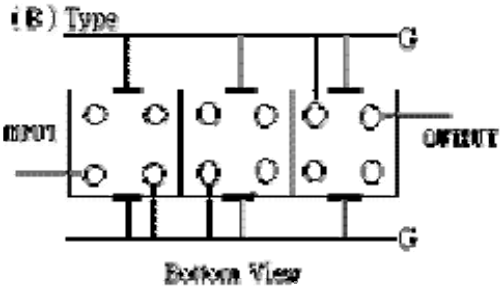
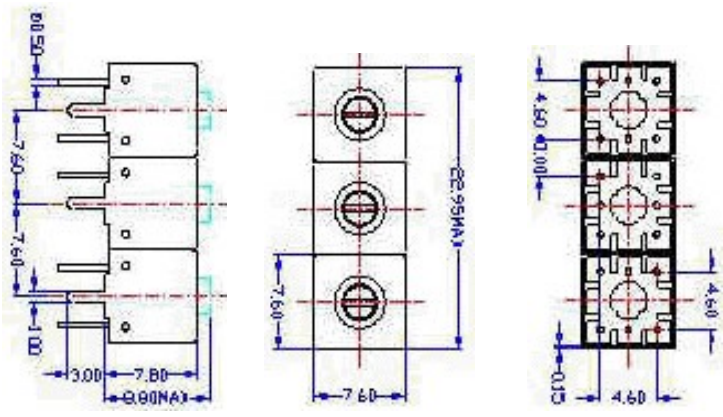


VHF UHF Helical Filter Specification Sheet

Customer Name		Temwell's Part No.	TTS3075B-460M
Approval No. /dated	20104017DB	Acceptable Specify Fo. Range	456~515MHz
Work Instruction No.	20104017DB	Date	2001.04.11

<p>(1) Pin Position</p>  <p style="text-align: center;">Bottom View</p>	<p>(2) Size Diagram</p> 
----------------------------------------------------------------------------------------------------------------------------------------------------------	------------------------------------------------------------------------------------------------------------

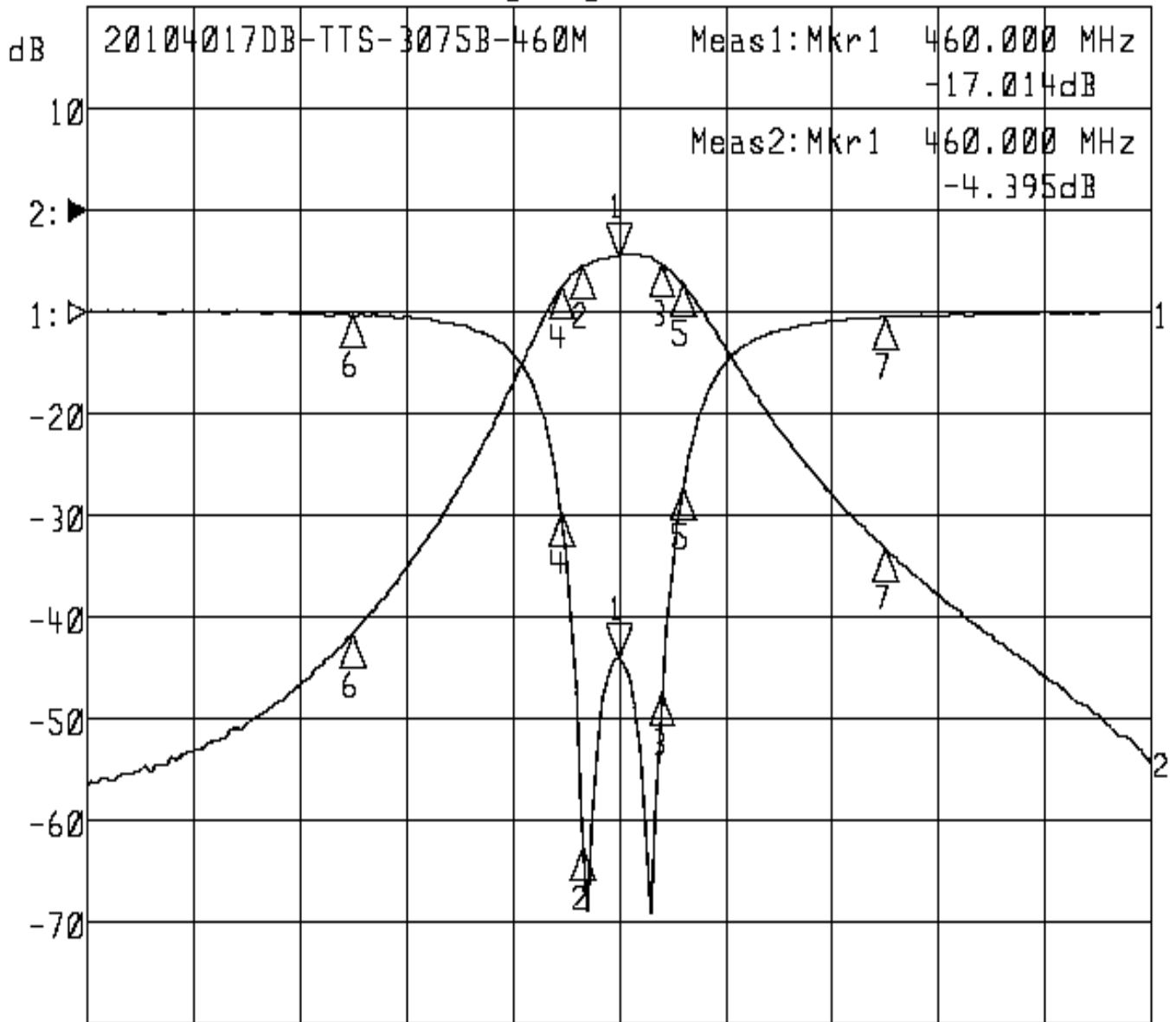
(3) Electric Character			
Item		Specify	Performance
Center Freq.(Fo) +/- 0.5 %		460 MHz	460 MHz
Tunable Range		460±5 MHz	460±5 MHz
Insertion Loss		Typ. 5.0 dB	4.3 dB
-1 dB Bandwidth		Typ. 13 MHz	15 MHz
Sensitivity (Attenuation)	Fo - 50 MHz	Typ. 34 dBc	37 dBc
	Fo + 50 MHz	Typ. 26 dBc	29 dBc
	Fo - ()MHz	Typ. dBc	dBc
	Fo +()MHz	Typ. dBc	dBc
Return Loss		Min. 12 dB	17 dB
Ripple		< 1 dB	dB
Impedance		In / Out : 50 Ω	In / Out : 50 Ω
(4) Torque for Tuning Screw		> 100gf · cm	
(5) Temperature Condition:			
Operating Temperature		0°C ~ +60°C	
Storage Temperature		-20°C ~ +70°C	
(6) Input Power		> 1Watt	
Approval	Supervisor	Designer	Aperture size
C.Y.Chang	C.S.Chang	C.S.Chang	7S3S (4*3.5) 7S024RB5.5

TEMWELL CORPORATION

Performance-TTS3075B-460M

20104017DB

▶1:S11 Refl Port1 Log Mag 5.0 dB/ Ref 0.00 dB C
 ▶2:S21 Fwd Trans Log Mag 10.0 dB/ Ref 0.00 dB C



Center 460.000 MHz

Span 200.000 MHz

1:Mkr (MHz)	dB	2:Mkr (MHz)	dB
1> 460.0000	-17.014	1> 460.0000	-4.395
2: 453.4000	-26.377	2: 453.4000	-5.426
3: 468.1333	-18.746	3: 468.1333	-5.283
4: 449.2000	-9.882	4: 449.2000	-7.530
5: 472.0667	-8.584	5: 472.0667	-7.253
6: 410.0000	-0.170	6: 410.0000	-41.633
7: 510.0000	-0.266	7: 510.0000	-33.228