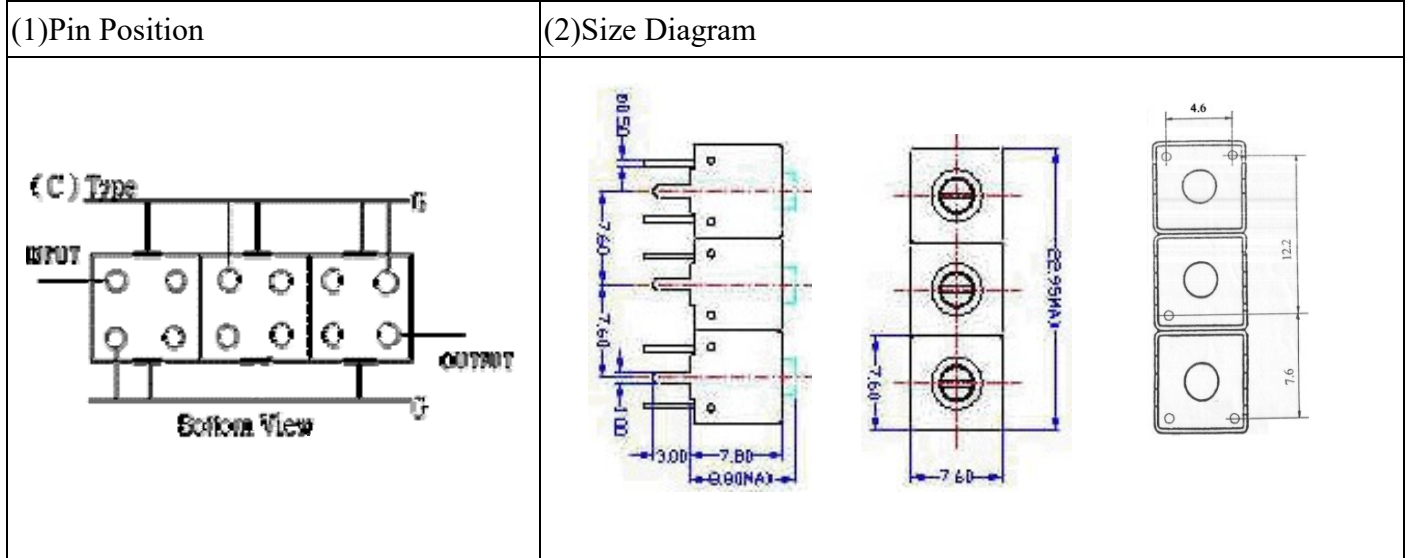


VHF UHF Helical Filter Specification Sheet

| | | | |
|----------------------|------------|------------------------------|---------------|
| Customer Name | | Temwell's Part No. | TTS3077C-510M |
| Approval No. /dated | 20104021DB | Acceptable Specify Fo. Range | 456~515MHz |
| Work Instruction No. | 20104021DB | Date | 2001.04.12 |



(3)Electric Character

| Item | Specify | Performance | |
|------------------------------|-----------------|-----------------|--------|
| Center Freq.(Fo) +/- 0.5 % | 510 MHz | 510 MHz | |
| Tunable Range | 510±5 MHz | 510±5 MHz | |
| Insertion Loss | Typ. 5.0 dB | 4.1 dB | |
| -1 dB Bandwidth | Typ. 13 MHz | 16 MHz | |
| -3 dB Bandwidth | Typ. 18 MHz | 21 MHz | |
| Sensitivity (Attenuation) | Fo - 50 MHz | Typ. 29 dBc | 32 dBc |
| | Fo + 50 MHz | Typ. 20 dBc | 23 dBc |
| | Fo - ()MHz | Typ. dBc | dBc |
| | Fo +()MHz | Typ. dBc | dBc |
| Return Loss | Min. 12 dB | 39.6 dB | |
| Ripple | < 1 dB | dB | |
| Impedance | In / Out : 50 Ω | In / Out : 50 Ω | |
| (4)Torque for Tuning Screw | > 100gf • cm | | |

(5)Temperature Condition:

| | |
|-----------------------|---------------|
| Operating Temperature | 0°C ~ +60°C |
| Storage Temperature | -20°C ~ +70°C |

(6)Input Power

| | | | |
|-----------|------------|-----------|---------------------------|
| | | > 1Watt | |
| Approval | Supervisor | Designer | Aperture size |
| C.Y.Chang | C.S.Chang | C.S.Chang | 7S3 (4*3.5) 7S024RB5.5 |

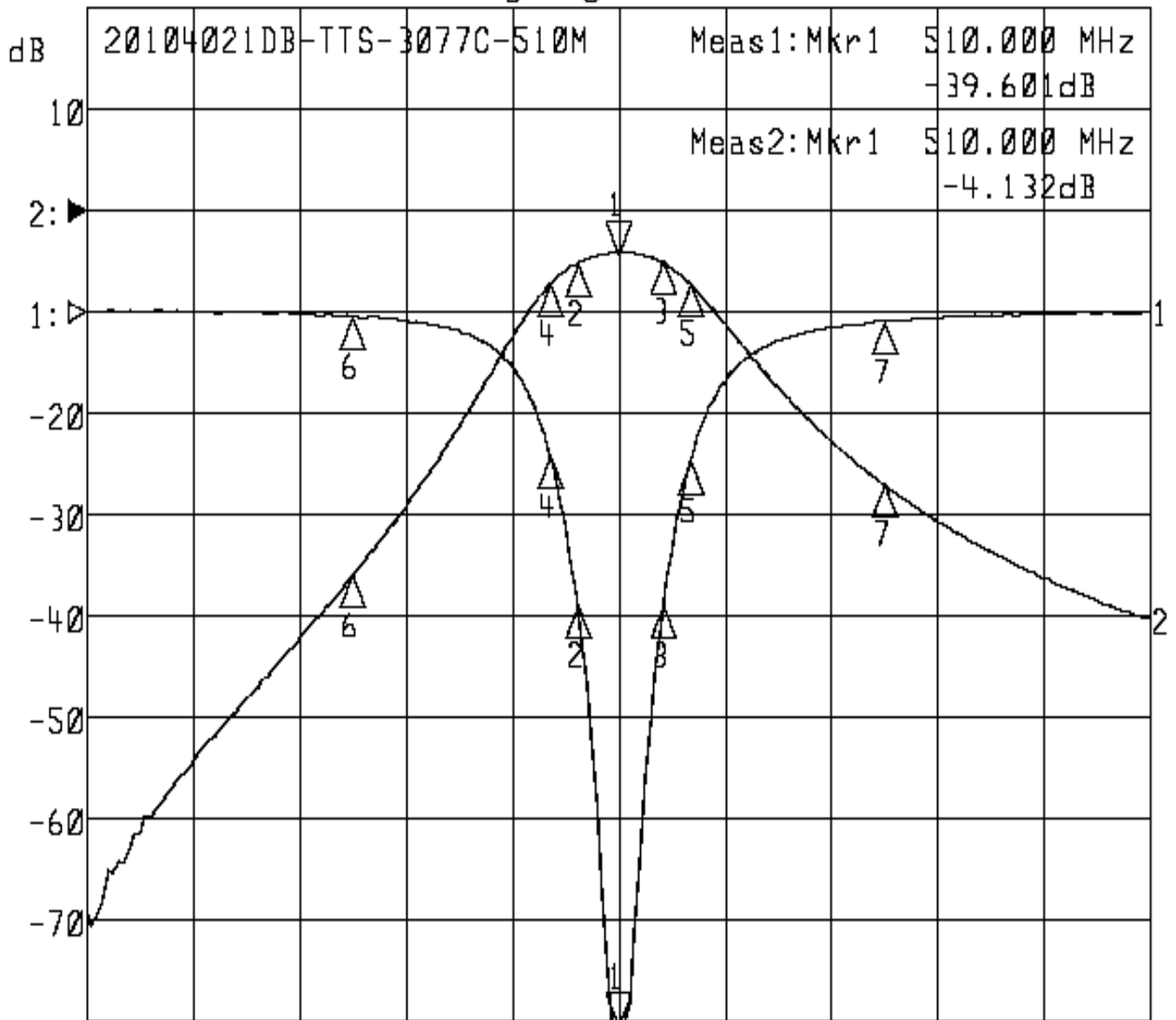
TEMWELL CORPORATION

Performance-TTS3077C-510M

20104021DB

▷1:S11 Refl Port1 Log Mag 5.0 dB/ Ref 0.00 dB C

▷2:S21 Fwd Trans Log Mag 10.0 dB/ Ref 0.00 dB C



Center 510.000 MHz

Span 200.000 MHz

| 1: Mkr (MHz) | dB | 2: Mkr (MHz) | dB |
|--------------|---------|--------------|---------|
| 1> 510.0000 | -39.601 | 1> 510.0000 | -4.132 |
| 2: 502.3333 | -14.542 | 2: 502.3333 | -5.172 |
| 3: 518.4000 | -14.480 | 3: 518.4000 | -5.119 |
| 4: 497.2000 | -7.097 | 4: 497.2000 | -7.180 |
| 5: 523.4000 | -7.426 | 5: 523.4000 | -7.177 |
| 6: 460.0000 | -0.199 | 6: 460.0000 | -36.028 |
| 7: 560.0000 | -0.473 | 7: 560.0000 | -27.033 |