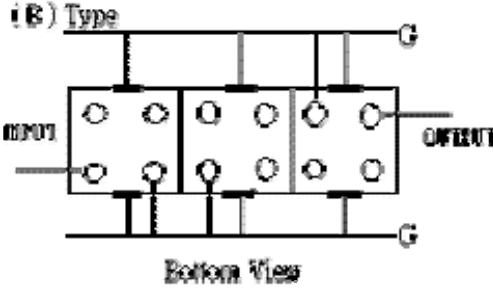
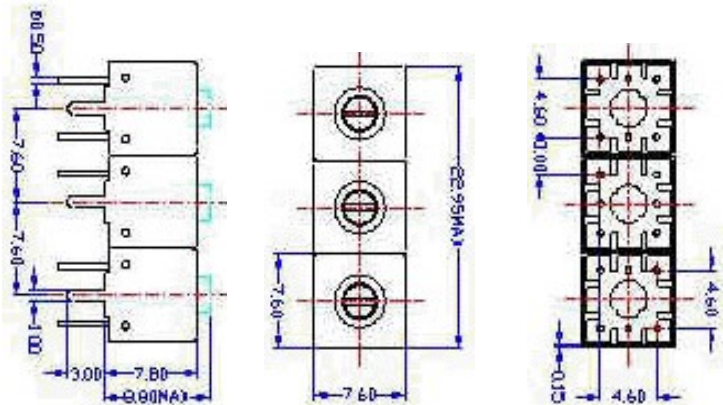


VHF UHF Helical Filter Specification Sheet

Customer Name		Temwell's Part No.	TTS3081B-535M
Approval No. /dated	20103091DC	Acceptable Specify Fo. Range	516~555MHz
Work Instruction No.	20103091DC	Date	2001.04.13

(1)Pin Position	(2)Size Diagram
 <p>(B) Type</p> <p>Bottom View</p>	

(3)Electric Character

Item	Specify	Performance	
Center Freq.(Fo) +/- 0.5 %	535 MHz	535 MHz	
Tunable Range	535±5 MHz	535±5 MHz	
Insertion Loss	Typ. 3.5 dB	2.9 dB	
-3 dB Bandwidth	Typ. 22 MHz	27 MHz	
Sensitivity (Attenuation)	Fo - 50 MHz	Typ. 29 dBc	32 dBc
	Fo + 50 MHz	Typ. 23 dBc	26 dBc
	Fo - (100)MHz	Typ. 48 dBc	51 dBc
	Fo +(100)MHz	Typ. 40 dBc	43 dBc
Return Loss	Min. 12 dB	27.0 dB	
Ripple	< 1 dB	dB	
Impedance	In / Out : 50 Ω	In / Out : 50 Ω	
(4)Torque for Tuning Screw	> 100gf • cm		

(5)Temperature Condition:

Operating Temperature	0°C ~ +60°C
Storage Temperature	-20°C ~ +70°C

(6)Input Power

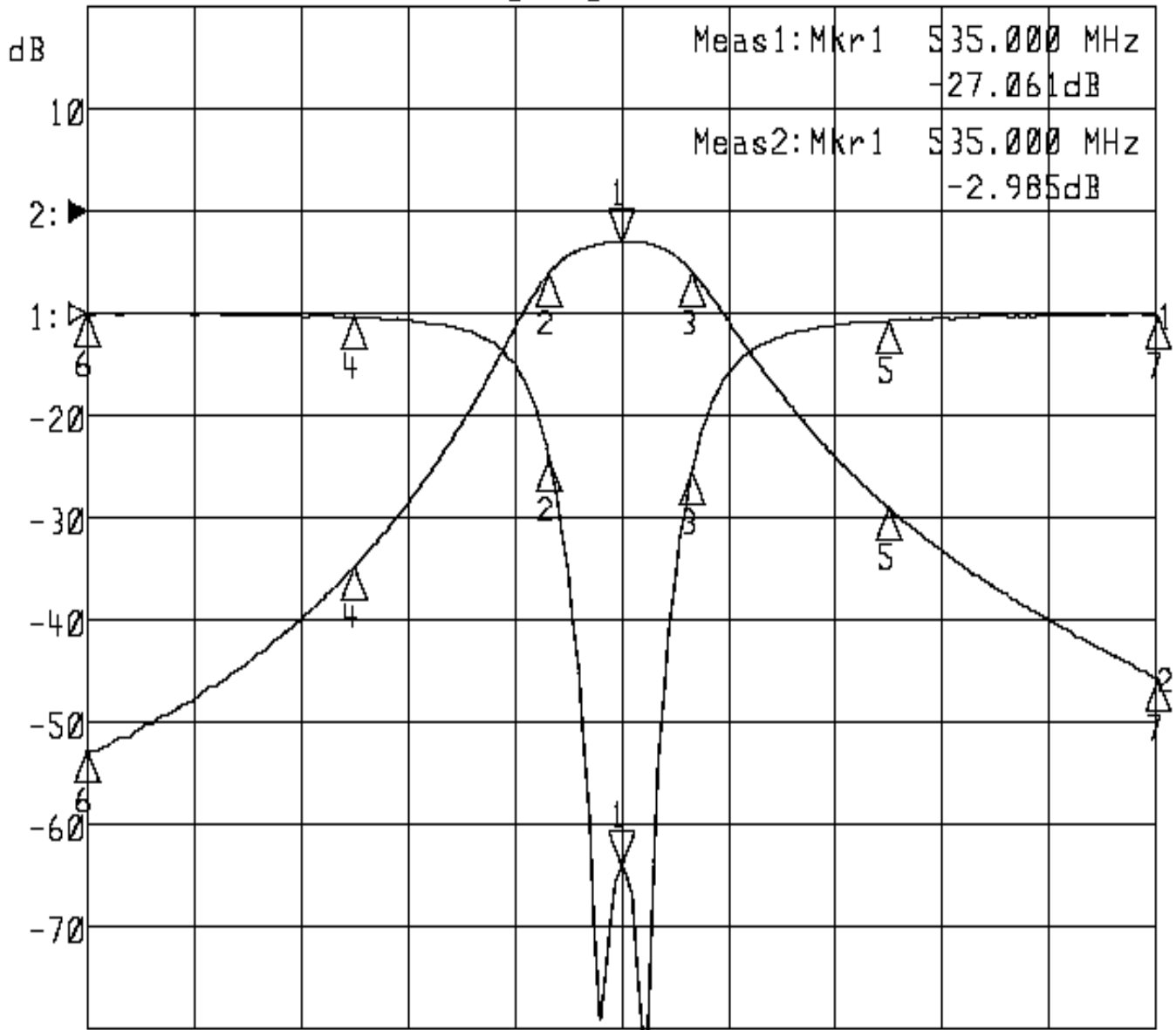
		> 1Watt	
Approval	Supervisor	Designer	Aperture size
C.Y.Chang	C.S.Chang	C.S.Chang	7S3S(4*3.5) 7S024RB5.5

TEMWELL CORPORATION

Performance-TTS3081B-535M

20103091DC

▶1:S11 Refl Port1 Log Mag 5.0 dB/ Ref 0.00 dB C
 ▶2:S21 Fwd Trans Log Mag 10.0 dB/ Ref 0.00 dB C



Center 535.000 MHz

Span 200.000 MHz

1: Mkr (MHz)	dB	2: Mkr (MHz)	dB
1> 535.0000	-27.061	1> 535.0000	-2.985
2: 521.6000	-7.171	2: 521.6000	-5.980
3: 548.2667	-7.705	3: 548.2667	-5.899
4: 485.0000	-0.125	4: 485.0000	-34.746
5: 585.0000	-0.342	5: 585.0000	-29.004
6: 435.0000	-0.057	6: 435.0000	-52.763
7: 635.0000	-0.108	7: 635.0000	-45.633