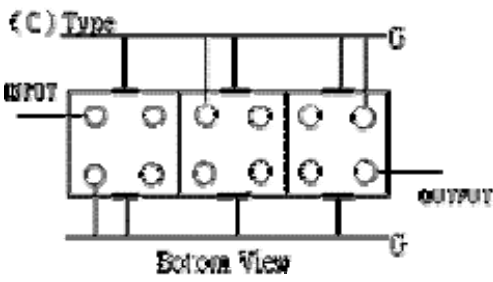
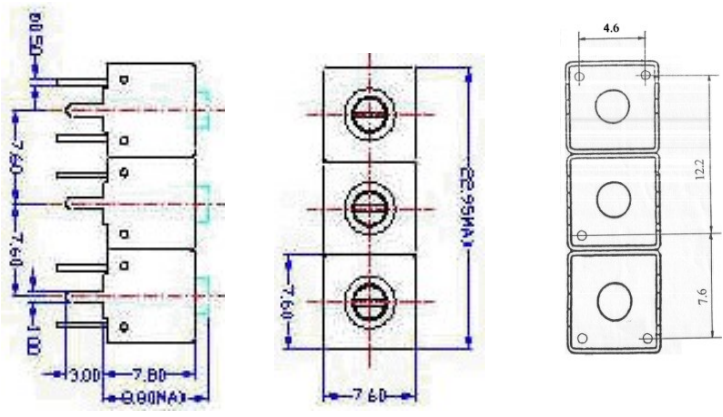


# VHF UHF Helical Filter Specification Sheet

Customer Name		Temwell's Part No.	TTS3082C-535M
Approval No. /dated	20103092DC	Acceptable Specify Fo. Range	516~555MHz
Work Instruction No.	20103092DC	Date	2001.04.17

<p>(1) Pin Position</p>  <p style="text-align: center;">Bottom View</p>	<p>(2) Size Diagram</p> 
--	--

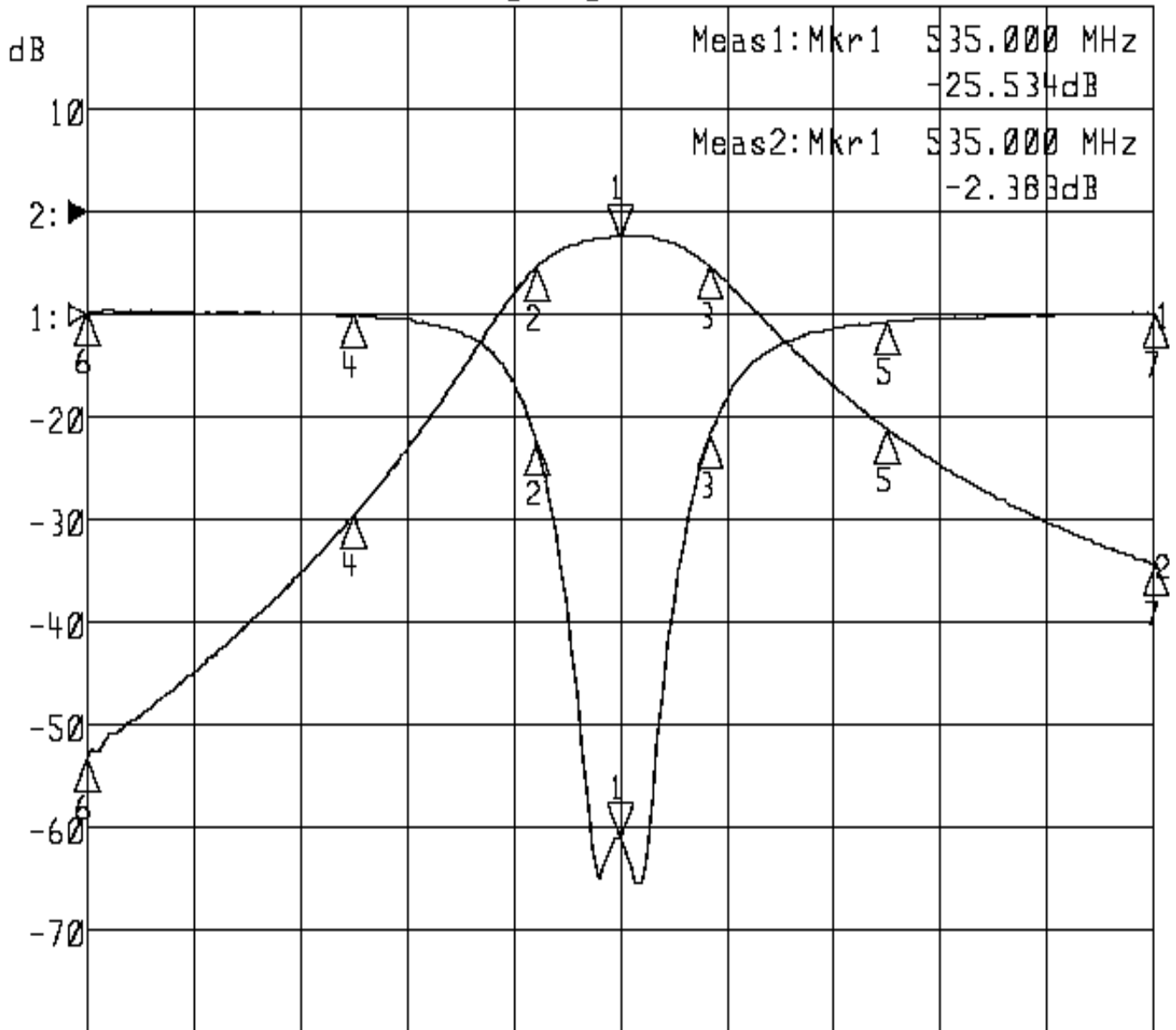
(3) Electric Character			
Item		Specify	Performance
Center Freq.(Fo ) +/- 0.5 %		535 MHz	535 MHz
Tunable Range		535±5 MHz	535±5 MHz
Insertion Loss		Typ. 3.5 dB	2.4 dB
-3 dB Bandwidth		Typ. 27 MHz	32 MHz
Sensitivity (Attenuation)	Fo - 50 MHz	Typ. 24 dBc	27 dBc
	Fo + 50 MHz	Typ. 15 dBc	18 dBc
	Fo - ( )MHz	Typ. dBc	dBc
	Fo +( )MHz	Typ. dBc	dBc
Return Loss		Min. 12 dB	25.5 dB
Ripple		< 1 dB	dB
Impedance		In / Out : 50 Ω	In / Out : 50 Ω
(4) Torque for Tuning Screw		> 100gf · cm	
(5) Temperature Condition:			
Operating Temperature		0°C ~ +60°C	
Storage Temperature		-20°C ~ +70°C	
(6) Input Power		> 1Watt	
Approval	Supervisor	Designer	Aperture size
C.Y.Chang	C.S.Chang	C.S.Chang	7S3(4*4.5) 7S024RB5.5

TEMWELL CORPORATION

# Performance-TTS3082C-535M

## 20103092DC

▶1:S11 Refl Port1 Log Mag 5.0 dB/ Ref 0.00 dB C  
▶2:S21 Fwd Trans Log Mag 10.0 dB/ Ref 0.00 dB C



Center 535.000 MHz

Span 200.000 MHz

1: Mkr (MHz)	dB	2: Mkr (MHz)	dB
1> 535.0000	-25.534	1> 535.0000	-2.383
2: 519.3333	-6.255	2: 519.3333	-5.377
3: 551.8667	-5.917	3: 551.8667	-5.324
4: 485.0000	-0.006	4: 485.0000	-29.552
5: 585.0000	-0.377	5: 585.0000	-21.130
6: 435.0000	0.157	6: 435.0000	-53.159
7: 635.0000	0.031	7: 635.0000	-34.294