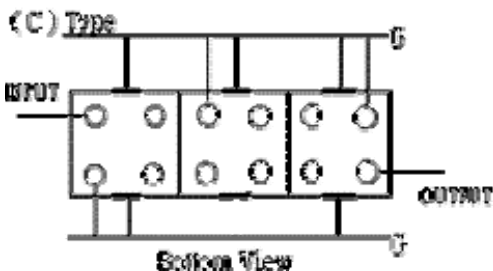
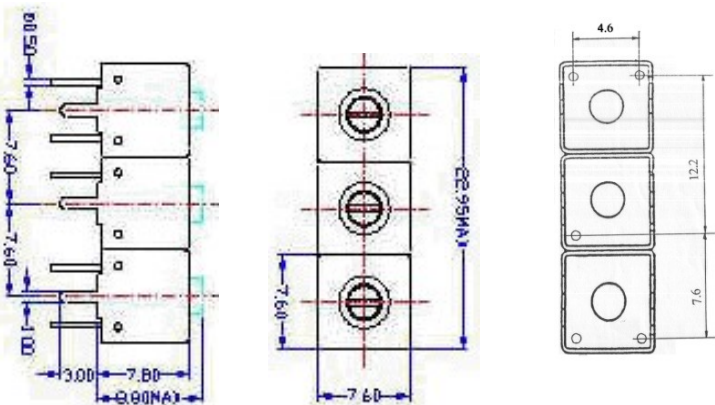


VHF UHF Helical Filter Specification Sheet

Customer Name		Temwell's Part No.	TTS3083C-535M
Approval No. /dated	20103093DC	Acceptable Specify Fo. Range	516~555MHz
Work Instruction No.	20103093DC	Date	2001.04.17

<p>(1) Pin Position</p>  <p style="text-align: center;">Bottom View</p>	<p>(2) Size Diagram</p> 
--	--

(3) Electric Character

Item	Specify	Performance	
Center Freq.(Fo) +/- 0.5 %	535 MHz	535 MHz	
Tunable Range	535±5 MHz	535±5 MHz	
Insertion Loss	Typ. 4.0 dB	2.9 dB	
-3 dB Bandwidth	Typ. 37 MHz	42 MHz	
Sensitivity (Attenuation)	Fo - 50 MHz	Typ. 20 dBc	23 dBc
	Fo + 50 MHz	Typ. 11 dBc	14 dBc
	Fo - ()MHz	Typ. dBc	dBc
	Fo +()MHz	Typ. dBc	dBc
Return Loss	Min. 12 dB	22.1 dB	
Ripple	< 1 dB	dB	
Impedance	In / Out : 50 Ω	In / Out : 50 Ω	

(4) Torque for Tuning Screw >100gf · cm

(5) Temperature Condition:

Operating Temperature	0°C ~ +60°C
Storage Temperature	-20°C ~ +70°C

(6) Input Power > 1 Watt

Approval	Supervisor	Designer	Aperture size
C.Y.Chang	C.S.Chang	C.S.Chang	7S3(4*5.2) 7S024RB5.5

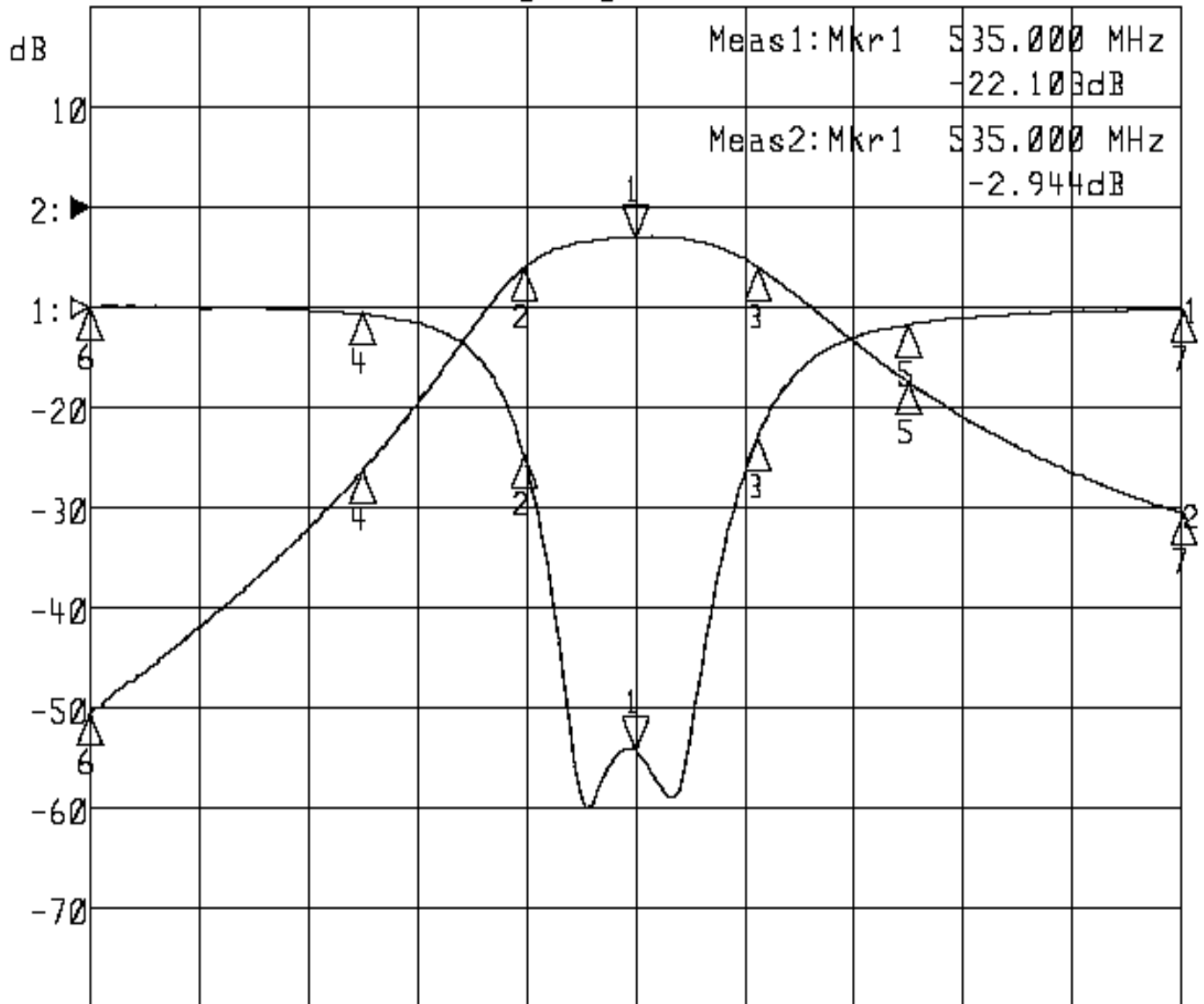
TEMWELL CORPORATION

Performance-TTS3083C-535M

20103093DC

▶1:S11 Refl Port1 Log Mag 5.0 dB/ Ref 0.00 dB C

▶2:S21 Fwd Trans Log Mag 10.0 dB/ Ref 0.00 dB C



Center 535.000 MHz

Span 200.000 MHz

1:Mkr (MHz)	dB	2:Mkr (MHz)	dB
1> 535.0000	-22.103	1> 535.0000	-2.944
2: 514.6667	-7.427	2: 514.6667	-5.986
3: 557.3333	-6.480	3: 557.3333	-5.913
4: 485.0000	-0.248	4: 485.0000	-26.250
5: 585.0000	-0.860	5: 585.0000	-17.392
6: 435.0000	0.052	6: 435.0000	-50.553
7: 635.0000	-0.065	7: 635.0000	-30.527