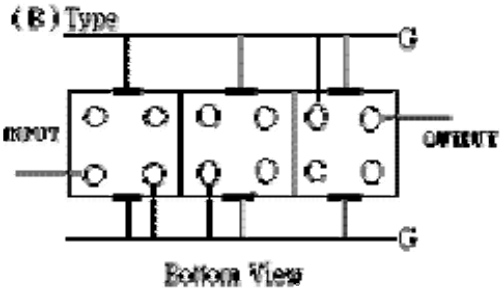
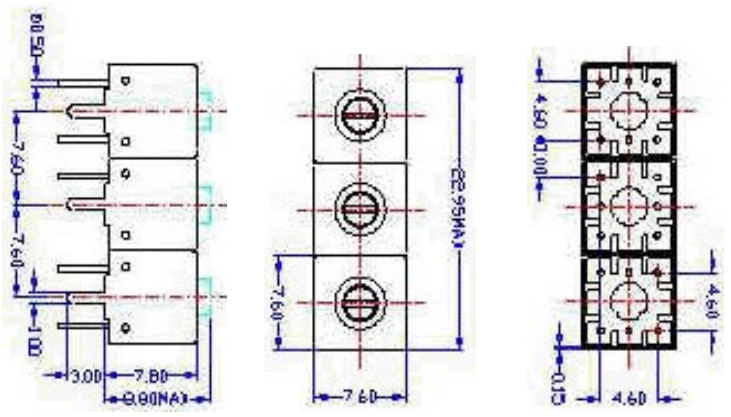


VHF UHF Helical Filter Specification Sheet

Customer Name		Temwell's Part No.	TTS3102B-614M
Approval No. /dated	20106006B	Acceptable Specify Fo. Range	596~640MHz
Work Instruction No.	20106006B	Date	2001.06.11

<p>(1) Pin Position</p>  <p style="text-align: center;">Bottom View</p>	<p>(2) Size Diagram</p> 
--	--

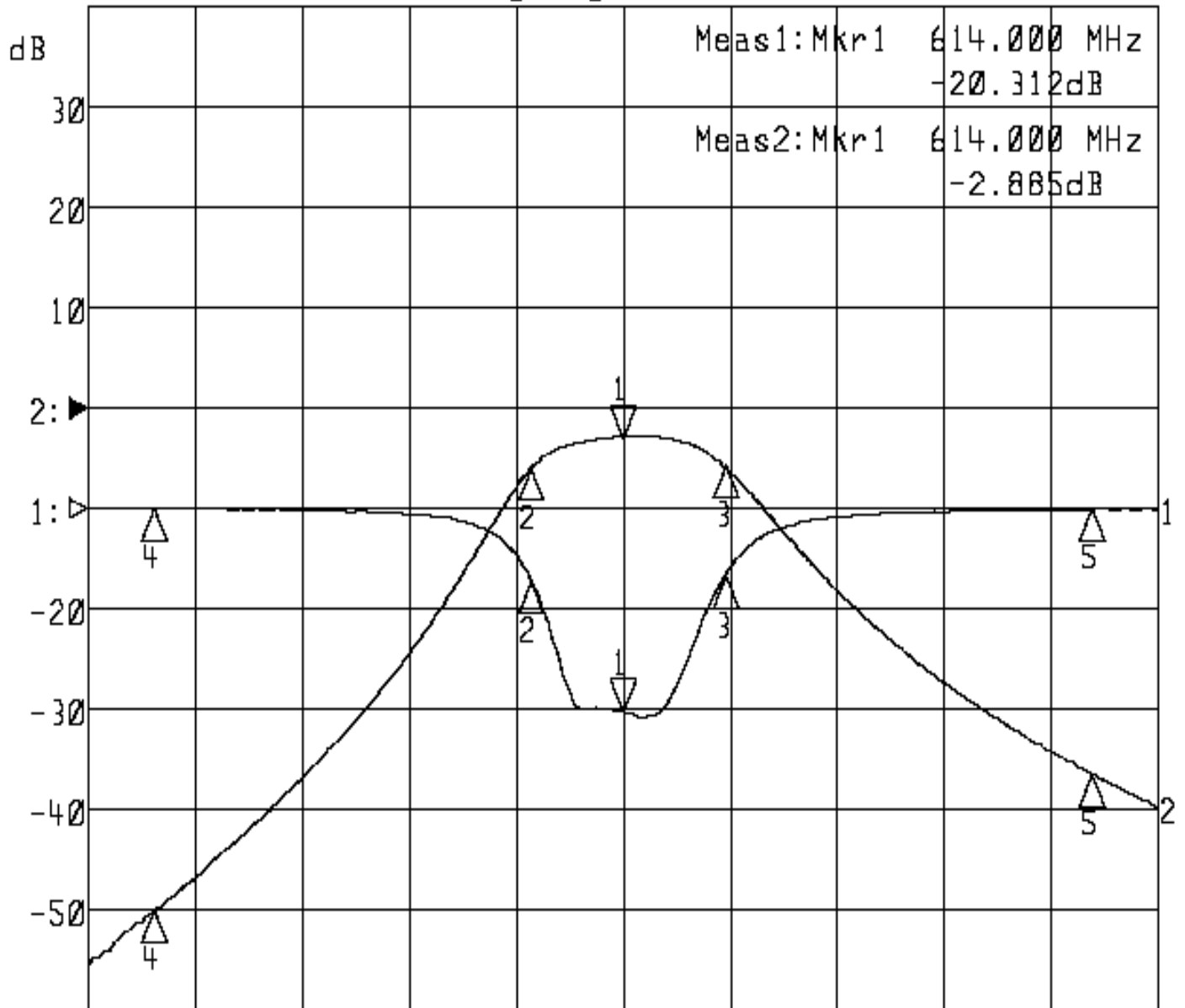
(3) Electric Character			
Item		Specify	Performance
Center Freq.(Fo) +/- 0.5 %		614 MHz	614 MHz
Tunable Range		614±5 MHz	614±5 MHz
Insertion Loss		Typ. 4.0 dB	2.9 dB
-3 dB Bandwidth		Typ. 29 MHz	32 MHz
Sensitivity (Attenuation)	Fo - 70 MHz	Typ. 44 dBc	47 dBc
	Fo + 70 MHz	Typ. 31 dBc	34 dBc
	Fo - ()MHz	Typ. dBc	dBc
	Fo +()MHz	Typ. dBc	dBc
Return Loss		Min. 12 dB	31 dB
Ripple		< 1 dB	dB
Impedance		In / Out : 50 Ω	In / Out : 50 Ω
(4) Torque for Tuning Screw		> 100gf · cm	
(5) Temperature Condition:			
Operating Temperature		0°C ~ +60°C	
Storage Temperature		-20°C ~ +70°C	
(6) Input Power		> 1Watt	
Approval	Supervisor	Designer	Aperture size
C.Y.Chang	C.S.Chang	C.S.Chang	7S3S(4*3.5) 7S024RB5.5

TEMWELL CORPORATION

Performance- TTS-3102B-614M

20106006B

▷1:S11 Refl Port1 Log Mag 10.0 dB/ Ref 0.00 dB C
▶2:S21 Fwd Trans Log Mag 10.0 dB/ Ref 0.00 dB C



Center 614.000 MHz

Span 160.000 MHz

1:Mkr (MHz)	dB	2:Mkr (MHz)	dB
1> 614.0000	-20.312	1> 614.0000	-2.885
2: 600.3467	-7.142	2: 600.3467	-5.902
3: 629.2000	-6.735	3: 629.2000	-5.824
4: 544.0000	-0.043	4: 544.0000	-50.124
5: 684.0000	-0.120	5: 684.0000	-36.376