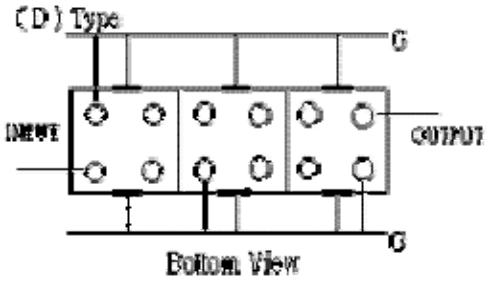
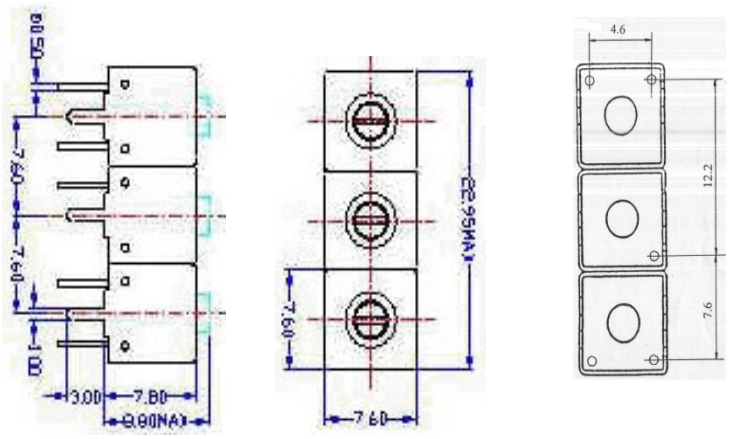


VHF UHF Helical Filter Specification Sheet

Customer Name		Temwell's Part No.	TTS3142D-761.5M
Approval No. /dated	20103098DB	Acceptable Specify Fo. Range	751~800MHz
Work Instruction No.	20103098DB	Date	2001.04.18

<p>(1) Pin Position</p>  <p style="text-align: center;">Bottom View</p>	<p>(2) Size Diagram</p> 
--	--

(3) Electric Character			
Item		Specify	Performance
Center Freq.(Fo) +/- 0.5 %		761.5 MHz	761.5 MHz
Tunable Range		761.5±5 MHz	761.5±5 MHz
Insertion Loss		Typ. 3.5 dB	2.8 dB
-3 dB Bandwidth		Typ. 18 MHz	22 MHz
Sensitivity (Attenuation)	Fo - 100 MHz	Typ. 39 dBc	42 dBc
	Fo + 100 MHz	Typ. 30 dBc	33 dBc
	Fo - ()MHz	Typ. dBc	dBc
	Fo +()MHz	Typ. dBc	dBc
Return Loss		Min. 12 dB	24.8 dB
Ripple		< 1 dB	dB
Impedance		In / Out : 50 Ω	In / Out : 50 Ω
(4) Torque for Tuning Screw		> 100gf · cm	
(5) Temperature Condition:			
Operating Temperature		0°C ~ +60°C	
Storage Temperature		-20°C ~ +70°C	
(6) Input Power		> 1Watt	
Approval	Supervisor	Designer	Aperture size
C.Y.Chang	C.S.Chang	C.S.Chang	7S3S (4*5.2) 7S046LB4

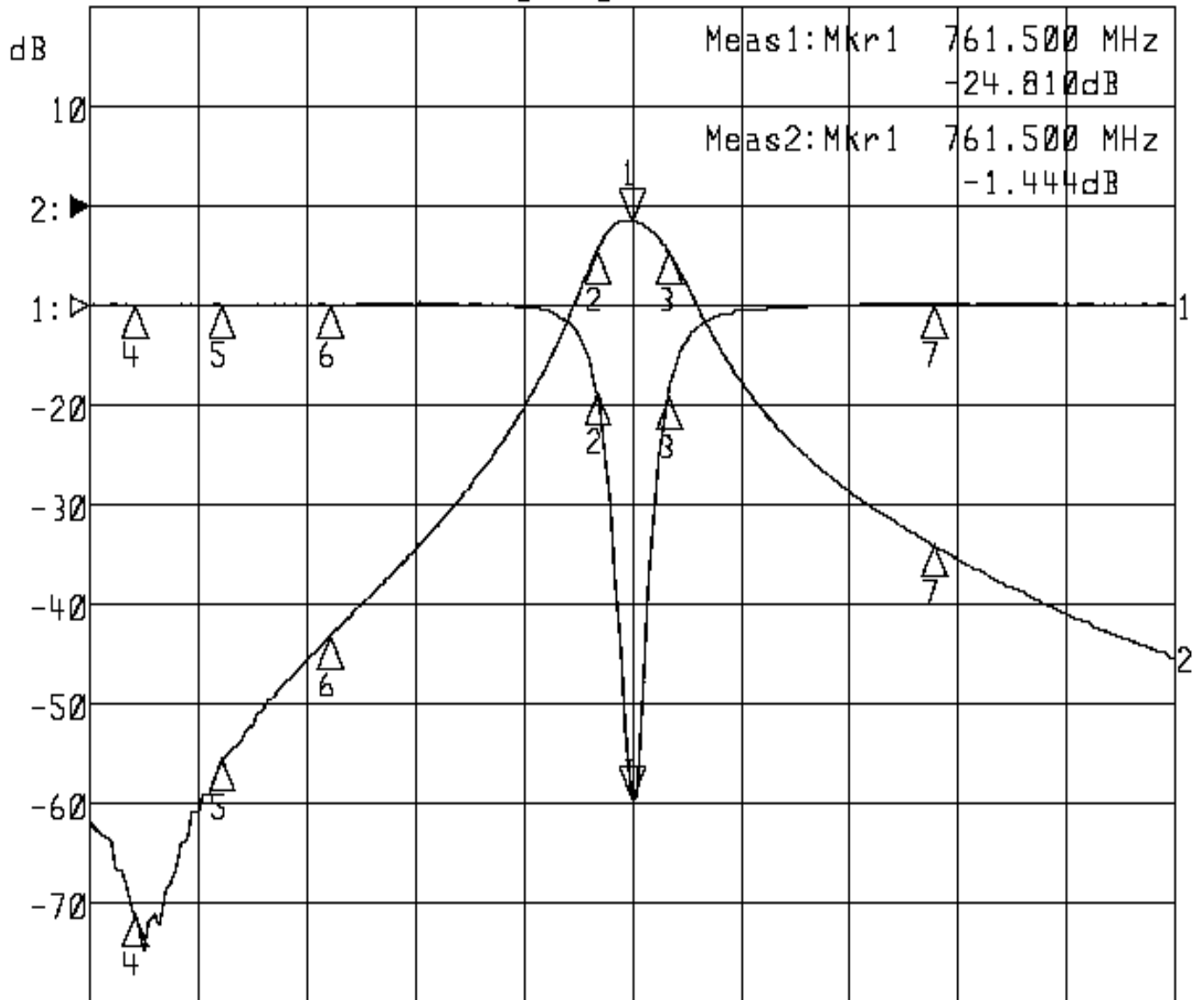
TEMWELL CORPORATION

Performance-TTS3142D-761.5M

20103098DB

▶1:S11 Refl Port1 Log Mag 5.0 dB/ Ref 0.00 dB C

▶2:S21 Fwd Trans Log Mag 10.0 dB/ Ref 0.00 dB C



Meas1:Mkr1 761.500 MHz
-24.810dB

Meas2:Mkr1 761.500 MHz
-1.444dB

Center 761.500 MHz

Span 360.000 MHz

1:Mkr (MHz)	dB	2:Mkr (MHz)	dB
1> 761.5000	-24.810	1> 761.5000	-1.444
2: 749.8600	-4.434	2: 749.8600	-4.415
3: 773.3800	-4.592	3: 773.3800	-4.438
4: 597.0000	0.013	4: 597.0000	-71.289
5: 626.0000	0.037	5: 626.0000	-55.582
6: 661.5000	0.022	6: 661.5000	-43.196
7: 861.5000	0.061	7: 861.5000	-34.100