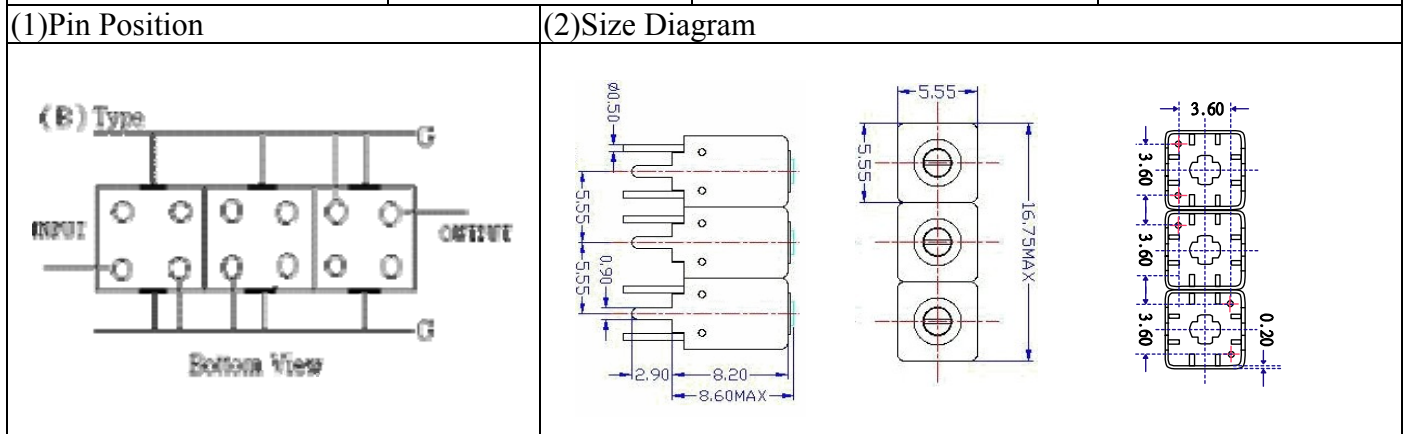


# VHF UHF Helical Filter Specification Sheet

Customer Name		Temwell's Part No.	TTW31051B-868M
Approval No. /dated	201711015CD	Temwell's Print Name.	31051B 868M
Work Instruction No.	201711015CD	Date	Dec.05.2017



(3) Electric Character		Item	Specify	Performance
		Center Freq.(Fo) +/- 0.5 %	868 MHz	868 MHz
		Insertion Loss	Typ. 7.5 dB	6.52 dB
		-3 dB Bandwidth	Typ. 5 MHz	11.4 MHz
Sensitivity (Attenuation)	Fo - 50 MHz	Typ. 49 dBc		54 dBc
	Fo + 50 MHz	Typ. 39 dBc		44 dBc
	Fo - ( )MHz	Typ. dBc		dBc
	Fo +( )MHz	Typ. dBc		dBc
		Return Loss	Min. 12 dB	30.7 dB
		Ripple	< 1 dB	dB
		Impedance	In / Out : 50 Ω	In / Out : 50 Ω

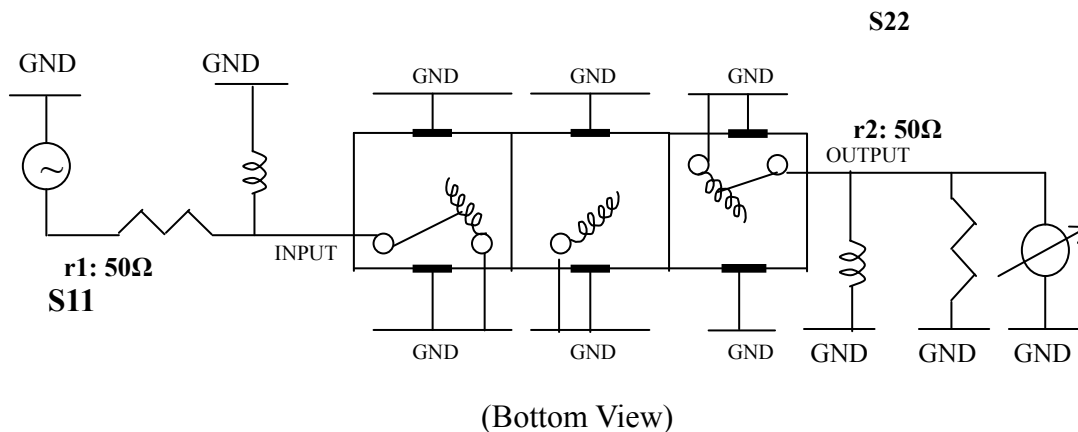
(4) Torque for Tuning Screw > 60gf · cm

(5) Temperature Condition:

Operating Temperature	0°C ~ +60°C
Storage Temperature	-20°C ~ +70°C

(6) Input Power > 0.5Watt

(7) Measuring Circuit: ※Easy to match Impedance S11/S22 50Ω by parallel with about(- -).



Approval	Supervisor	Designer	Aperture size
C.Y.Chang	C.K.Chang	M.Y.Kang	5W3S(3.8*3.5)(3.57) 5HW024RB3

TEMWELL CORPORATION

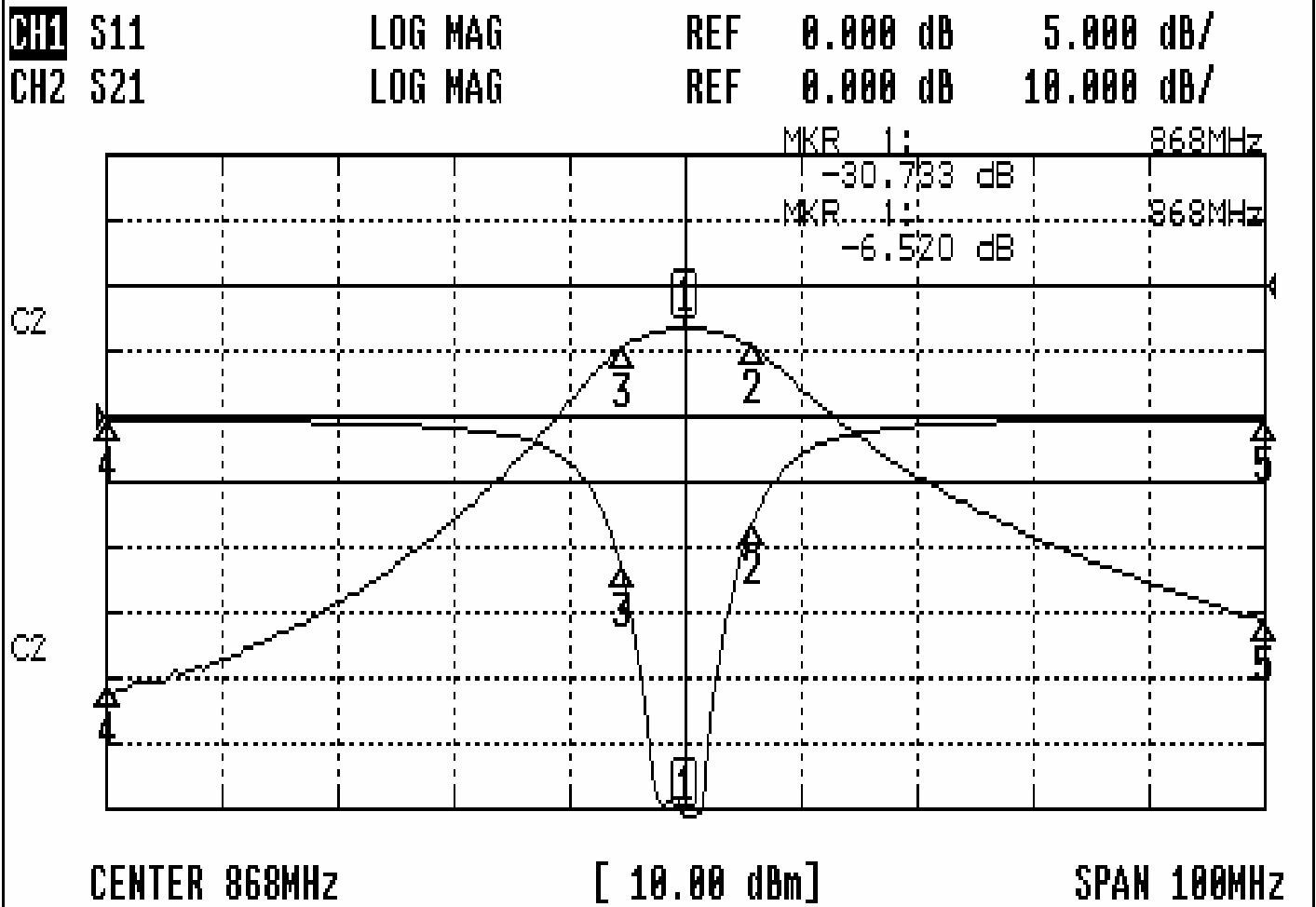
TEMWELL

Form10-5W3B Vision D

RP (M.Y)

# Performance-TTW31051B-868M

## 201711015CD



### CH1 MARKER LIST

1:	868.000MHz	-30.733	dB	
2:	873.916MHz	-8.012	dB	
3:	862.500MHz	-11.532	dB	
4:	818.000MHz	-0.277	dB	
5:	918.000MHz	-0.223	dB	
6:				
7:				
8:				
9:				
10:				

### CH2 MARKER LIST

1:	868.000MHz	-6.520	dB	
2:	873.916MHz	-1.116	dB	
3:	862.500MHz	-1.000	dB	
4:	818.000MHz	-1.427	dB	
5:	918.000MHz	-1.416	dB	
6:				
7:				
8:				
9:				
10:				