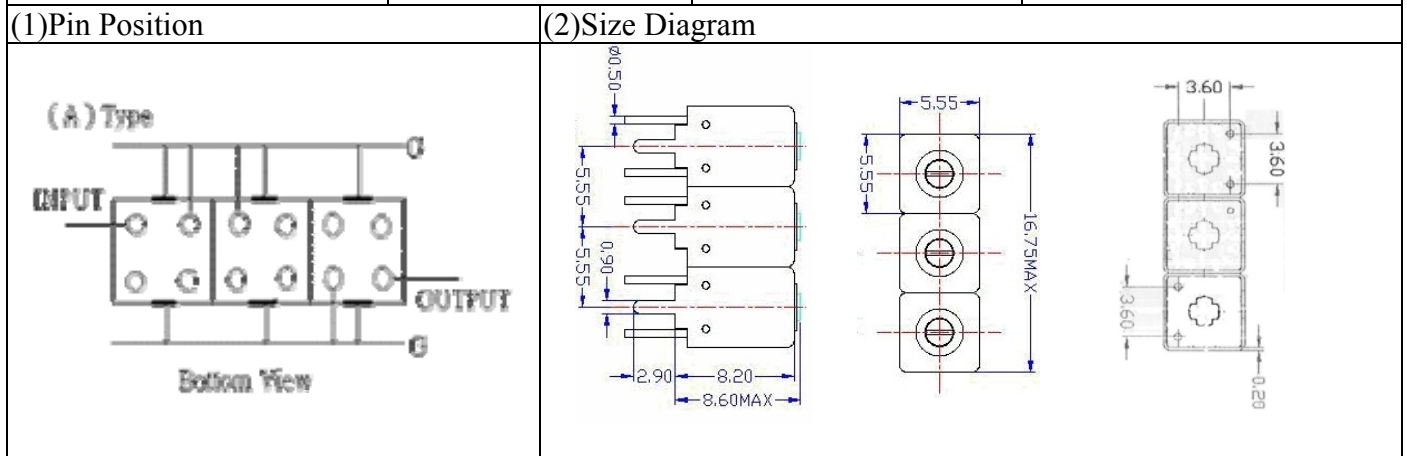


VHF UHF Helical Filter Specification Sheet

Customer Name		Temwell's Part No.	TTW3416A-229M
Approval No. /dated	201406079CD	Temwell's Print Name.	3416A 229M
Work Instruction No.	201406079CD	Date	Jul.04.2014



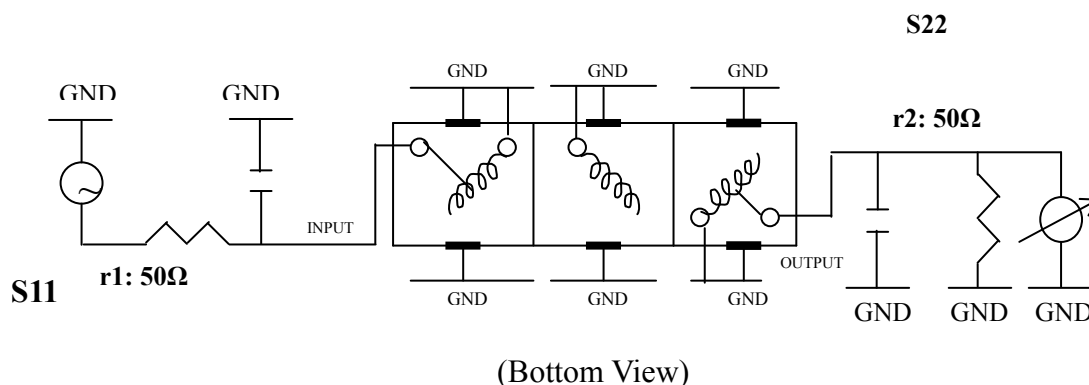
(3)Electric Chararistic

Item	Specify	Performance	
Center Freq.(Fo) +/- 0.5 %	229 MHz	229 MHz	
Insertion Loss	Typ 5.0 dB	4.11 dB	
-3 dB Bandwidth	Typ. 10 MHz	12.2 MHz	
Sensitivity (Attenuation)	Fo - 50 MHz	Typ. 61 dBc	71 dBc
	Fo + 50MHz	Typ. 50 dBc	53 dBc
	Fo - ()MHz	Typ. dBc	dBc
	Fo +()MHz	Typ. dBc	dBc
Return Loss	Min. 12 dB	24.0 dB	
Ripple	< 1 dB	dB	
Impedance	In / Out : 50Ω	In / Out :50 Ω	
(4)Torque for Tuning Screw	> 60gf • cm		

(5)Temperature Condition:

Operating Temperature	0°C ~ +60°C
Storage Temperature	-20°C ~ +70°C
(6)Input Power	>0.5Watt

(7)Measuring Circuit: ※Easy to match Impedance S11/S22 50Ω by parallel with about(- -).



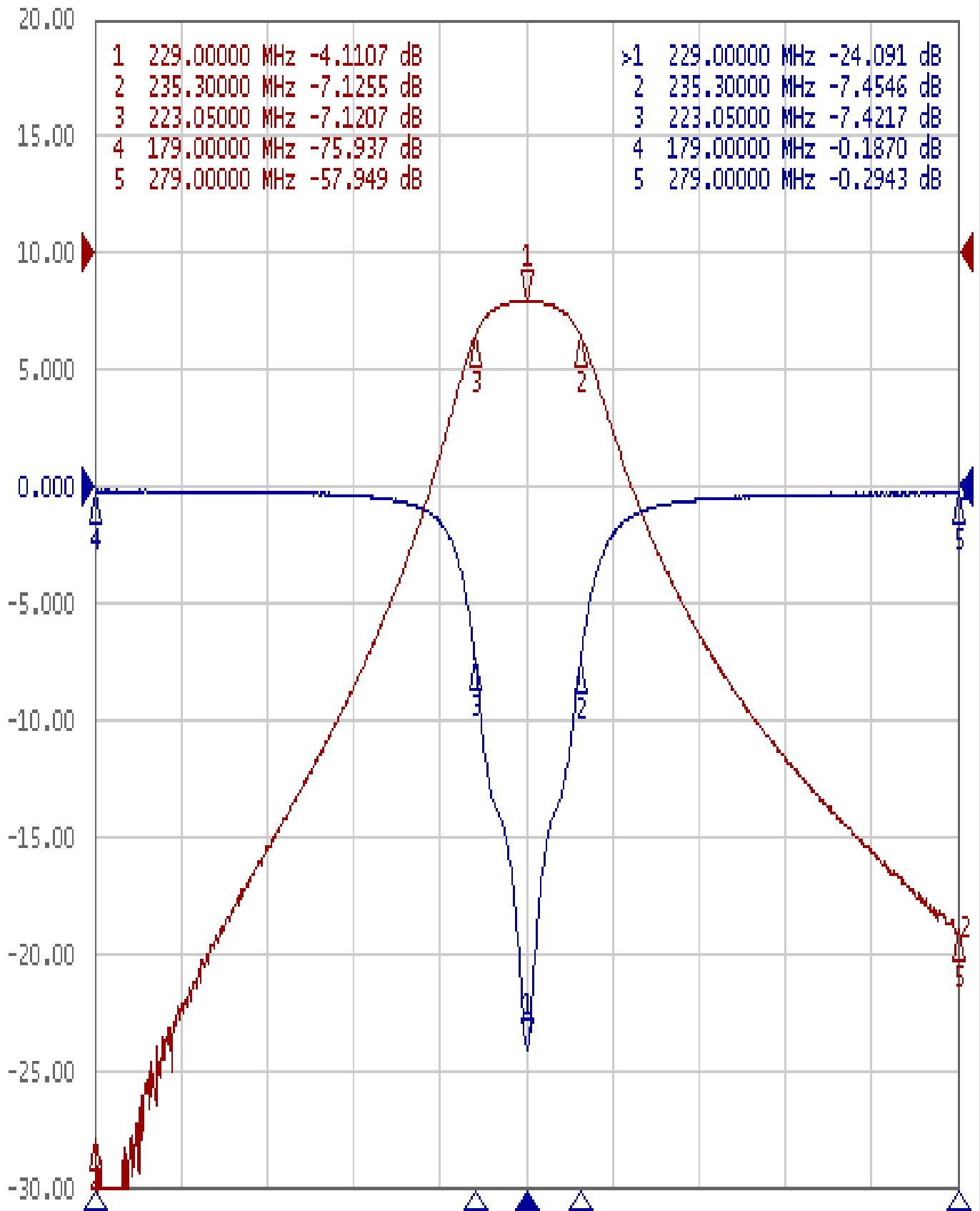
Approval C.Y.Chang	Supervisor C.K.Chang	Designer C.Ko.Chang	Aperture size 5W3S(3.8*4.5)(4.59) 5HW00LB3
-----------------------	-------------------------	------------------------	--

TEMWELL CORPORATION

Performance-TTW3416A-229M

201406079CD

Tr1 S11 Log Mag 5.000dB/ Ref 0.000dB [F2]
Tr2 S21 Log Mag 10.00dB/ Ref 0.000dB [F2]



1 Center 229 MHz

IFBW 70 kHz

Span 100 MHz Cor !