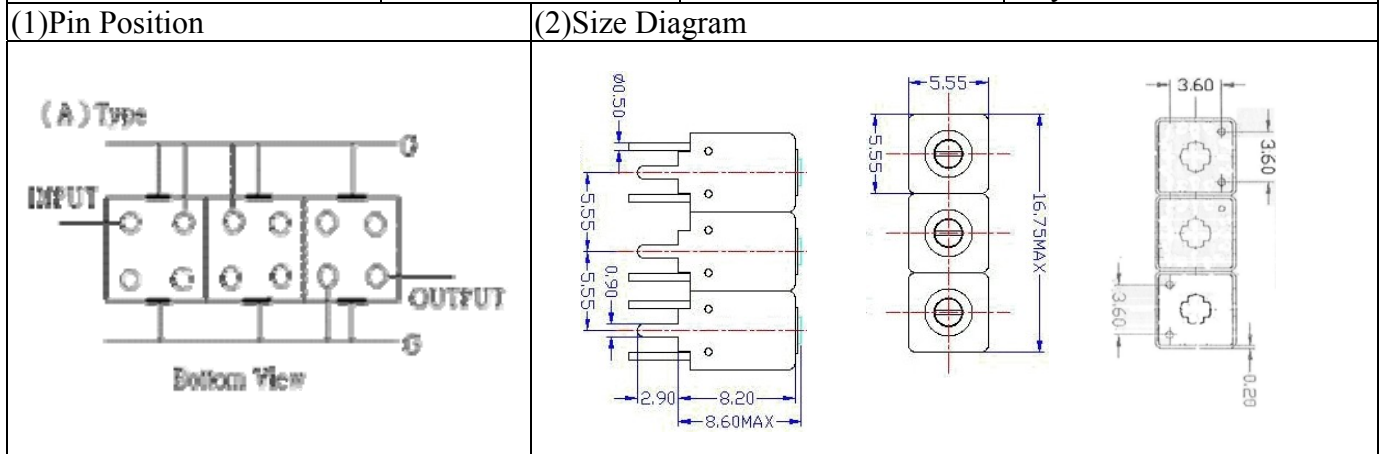


VHF UHF Helical Filter Specification Sheet

Customer Name		Temwell's Part No.	TTW3421A-380M
Approval No. /dated	0904024CD	Temwell's Print Name.	3421A 380M
Work Instruction No.	200904024CD	Date	May.19.2009



(3) Electric Charasteric

Item	Specify	Performance
Center Freq.(Fo) +/- 0.5 %	380 MHz	380 MHz
Insertion Loss	Typ 4.0 dB	3.56 dB
-3 dB Bandwidth	Typ. 11 MHz	13.8 MHz
Sensitivity (Attenuation)	Fo -30 MHz	Typ. 30 dBc
	Fo +30 MHz	Typ. 28 dBc
	Fo -()MHz	Typ. dBc
	Fo +()MHz	Typ. dBc
Return Loss	Min. 12 dB	23.1 dB
Ripple	< 1 dB	dB
Impedance	In / Out : 50Ω	In / Out : 50Ω
(4)Torque for Tuning Screw	> 100gf • cm	

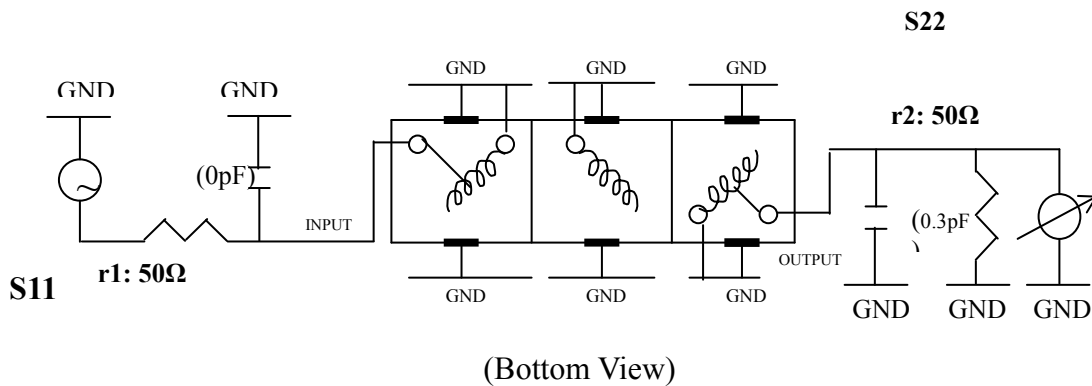
(5)Temperature Condition:

Operating Temperature	0°C ~ +60°C
Storage Temperature	-20°C ~ +70°C

(6)Input Power

>0.5Watt

(7)Measuring Circuit: ※Easy to match Impedance S11/S22 50Ω by parallel with about(0 pF) / (0.3 pF).

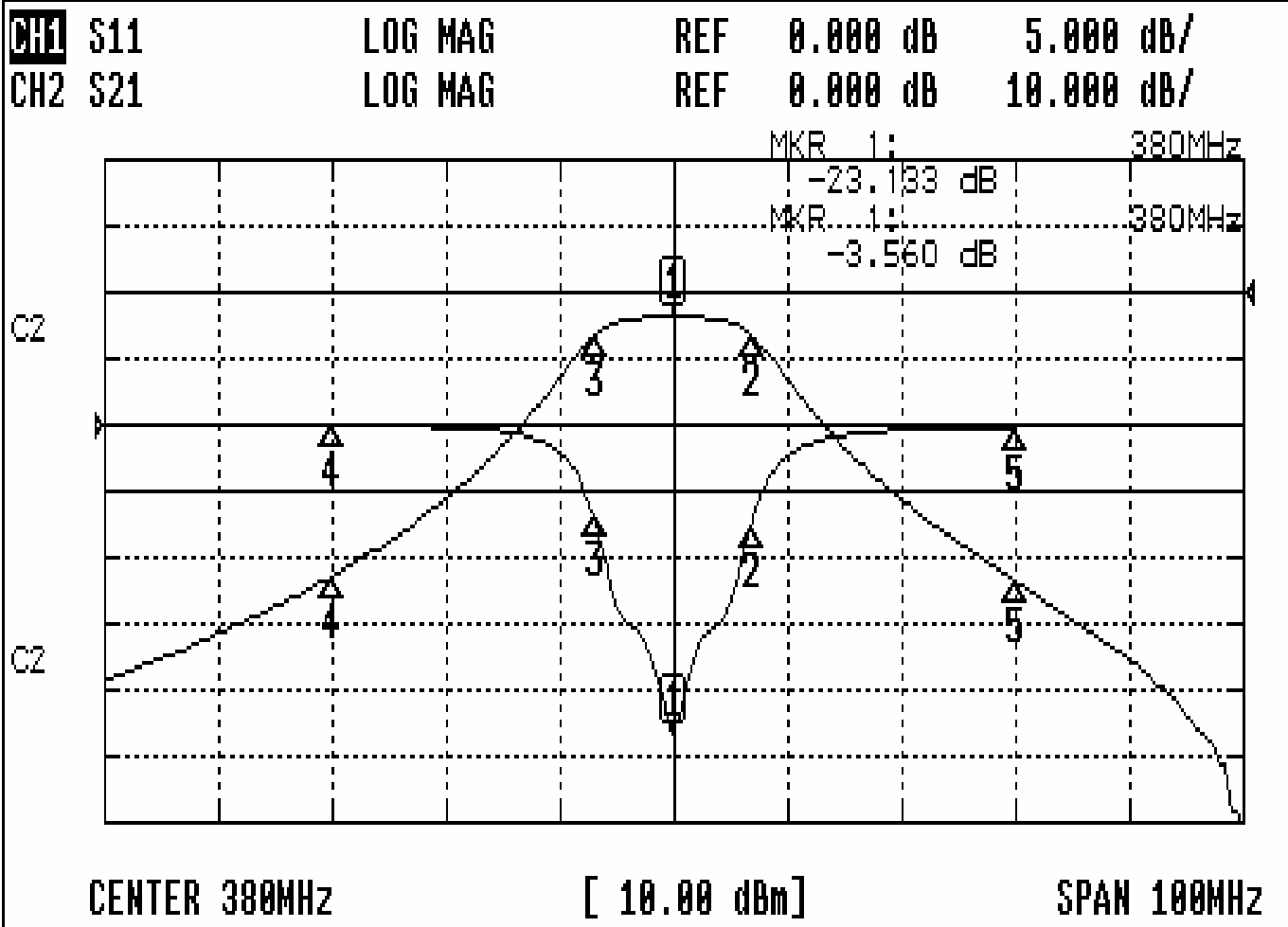


Approval C.Y.Chang	Supervisor C.K.Chang	Designer Y.H.Yeh	Aperture size 5W3(3.8*4.0)(4.05) 5HW024RB3
-----------------------	-------------------------	---------------------	--

TEMWELL CORPORATION

Performance-TTW3421A-380M

200904024CD



CH1 MARKER LIST

Marker	Frequency (MHz)	Magnitude (dB)
1:	380.000MHz	-23.133 dB
2:	386.833MHz	-7.632 dB
3:	373.060MHz	-6.992 dB
4:	350.000MHz	-0.017 dB
5:	410.000MHz	-0.155 dB

CH2 MARKER LIST

Marker	Frequency (MHz)	Magnitude (dB)
1:	380.000MHz	-3.563 dB
2:	386.833MHz	-6.565 dB
3:	373.060MHz	-6.570 dB
4:	350.000MHz	-42.707 dB
5:	410.000MHz	-43.581 dB